


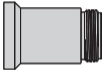



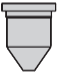
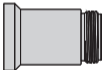
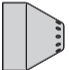



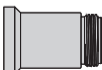
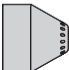


	ELECTRODE	DIFFUSER	TIP	PROTECT. NOZZLE	SPACER
Precision Cut 45A	 23015374B	 23015372B	 23015375B • 45 A	 23015395B With voltage sensor connection	 23015382B
Cutting 45/85A	 23015374B	 23015372B	 23015376B • 45 A 23015377B • 65 A 23015378B • 85 A	 23015395B With voltage sensor connection	 23015385B
Cutting 100/125A	 23015374B	 23015373B	 23015379B • 105 A	 23015396B With voltage sensor connection	 23015386B