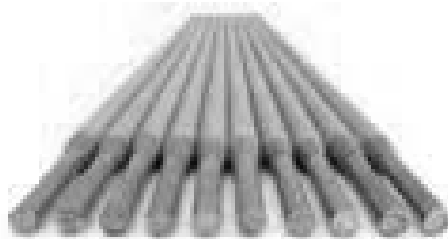


**INSTRUCTIONS MANUAL
MANUALE DI ISTRUZIONI
MANUAL DE USO Y MANUTENCIÓN
MANUEL D'INSTRUCTIONS ET D'ENTRETIEN
BETRIEBSANLEITUNG
ИНСТРУКЦИЯ ПО ЭКСПЛУАТАЦИИ**

**WELDING INVERTERS
INVERTER DI SALDATURA
INVERTER DE SOLDADURA
ONDULEURS
SCHWEISSINVERTER
СВАРОЧНЫЕ ИНВЕРТОРЫ**



6013 - 7018 - 6011 - 6010



**PLEASE READ THESE INSTRUCTIONS BEFORE INSTALLING, OPERATING, OR
SERVICING THIS PRODUCT. DO NOT DESTROY THIS MANUAL.**

***LEGGETE LE ISTRUZIONI PRIMA DI INSTALLARE, UTILIZZARE O RIPARARE
QUESTO IMPIANTO. CONSERVATE QUESTO MANUALE.***

**LEAN LAS INSTRUCCIONES ANTES DE INSTALAR, UTILIZAR O REPARAR
ESTOS APARATOS. CONSERVEN ESTE MANUAL.**

***LIRE CES INSTRUCTIONS AVANT L'INSTALLATION, L'UTILISATION OU LA
REPARATION DE CET APPAREIL. NE PAS JETER LE PRÉSENT MANUEL.***

**LESEN SIE DIESE ANLEITUNG VOR DER INSTALLATION, DEM BETRIEB ODER
DER WARTUNG DIESES PRODUKTS. NICHT ZERSTÖREN SIE DIESES HANDBUCH.**

**ОЖАЛУЙСТА, ВНИМАТЕЛЬНО ПРОЧИТАЙТЕ ДАННУЮ
ИНСТРУКЦИЮ ПЕРЕД УСТАНОВКОЙ, ЭКСПЛУАТАЦИЕЙ И ТЕХНИЧЕСКИМ
ОБСЛУЖИВАНИЕМ АППАРАТА. СОХРАНИТЕ ИНСТРУКЦИЮ.**



SMALTIMENTO DI APPARECCHI DA ROTTAMARE DA PARTE DI PRIVATI NELL'UNIONE EUROPEA

Questo simbolo che appare sul prodotto o sulla confezione indica che il prodotto non deve essere smaltito assieme agli altri rifiuti domestici. Gli utenti devono provvedere allo smaltimento delle apparecchiature da rottamare portandole al luogo di raccolta indicato per il riciclaggio delle apparecchiature elettriche ed elettroniche. La raccolta ed il riciclaggio separati delle apparecchiature da rottamare in fase di smaltimento favoriscono la conservazione delle risorse naturali e garantiscono che tali apparecchiature vengano rottamate nel rispetto dell'ambiente e della tutela della salute. Per ulteriori informazioni sui punti di raccolta delle apparecchiature da rottamare, contattare il proprio comune di residenza, il servizio di smaltimento dei rifiuti locale o il negozio presso il quale è stato acquistato il prodotto.

DISPOSAL OF WASTE EQUIPMENT BY USERS IN PRIVATE HOUSEHOLDS IN THE EUROPEAN UNION

This symbol on the product or on its packaging indicates that this product must not be disposed of with your other household waste. Instead, it is your responsibility to dispose of your waste equipment by handing it over to a designated collection point for the recycling of waste electrical and electronic equipment. The separate collection and recycling of your waste equipment at the time of disposal will help to conserve natural resources and ensure that it is recycled in a manner that protects human health and the environment. For more information about where you can drop off your waste equipment for recycling, please contact your local city office, your household waste disposal service or the shop where you purchased the product.

EVACUATION DES ÉQUIPEMENTS USAGÉS PAR LES UTILISATEURS DANS LES FOYERS PRIVÉS AU SEIN DE L'UNION EUROPÉENNE

La présence de ce symbole sur le produit ou sur son emballage indique que vous ne pouvez pas vous débarrasser de ce produit de la même façon que vos déchets courants. Au contraire, vous êtes responsable de l'évacuation de vos équipements usagés et à cet effet, vous êtes tenu de les remettre à un point de collecte agréé pour le recyclage des équipements électriques et électroniques usagés. Le tri, l'évacuation et le recyclage séparés de vos équipements usagés permettent de préserver les ressources naturelles et de s'assurer que ces équipements sont recyclés dans le respect de la santé humaine et de l'environnement. Pour plus d'informations sur les lieux de collecte des équipements usagés, veuillez contacter votre mairie, votre service de traitement des déchets ménagers ou le magasin où vous avez acheté le produit.

ENTSORGUNG VON ELEKTROGERÄTEN DURCH BENUTZER IN PRIVATEN HAUSHALTEN IN DER EU

Dieses Symbol auf dem Produkt oder dessen Verpackung gibt an, dass das Produkt nicht zusammen mit dem Restmüll entsorgt werden darf. Es obliegt daher Ihrer Verantwortung, das Gerät an einer entsprechenden Stelle für die Entsorgung oder Wiederverwertung von Elektrogeräten aller Art abzugeben (z.B. ein Wertstoffhof). Die separate Sammlung und das Recyceln Ihrer alten Elektrogeräte zum Zeitpunkt ihrer Entsorgung trägt zum Schutz der Umwelt bei und gewährleistet, dass sie auf eine Art und Weise recycelt werden, die keine Gefährdung für die Gesundheit des Menschen und der Umwelt darstellt. Weitere Informationen darüber, wo Sie alte Elektrogeräte zum Recyceln abgeben können, erhalten Sie bei den örtlichen Behörden, Wertstoffhöfen oder dort, wo Sie das Gerät erworben haben.

ELIMINACIÓN DE RESIDUOS DE APARATOS ELÉCTRICOS Y ELECTRÓNICOS POR PARTE DE USUARIOS DOMÉSTICOS EN LA UNIÓN EUROPEA

Este símbolo en el producto o en el embalaje indica que no se puede desechar el producto junto con los residuos domésticos. Por el contrario, si debe eliminar este tipo de residuo, es responsabilidad de usuario entregarlo en un punto de recolección designado de reciclado de aparatos electrónicos y eléctricos. El reciclaje y la recolección por separado de estos residuos en el momento de la eliminación ayudarán a preservar recursos naturales y a garantizar que el reciclaje proteja la salud y el medio ambiente. Si desea información adicional sobre los lugares donde puede dejar estos residuos para su reciclado, póngase en contacto con las autoridades locales de su ciudad, con el servicio de gestión de residuos domésticos o con la tienda donde adquirió el producto.

DESCARTE DE EQUIPAMENTOS POR USUÁRIOS EM RESIDÊNCIAS DA UNIÃO EUROPEIA

Este símbolo no produto ou na embalagem indica que o produto não pode ser descartado junto com o lixo doméstico. No entanto, é sua responsabilidade levar os equipamentos a serem descartados a um ponto de colecta designado para a reciclagem de equipamentos eletro-eletrónicos. A colecta separada e a reciclagem dos equipamentos no momento do descarte ajudam na conservação dos recursos naturais e garantem que os equipamentos serão reciclados de forma a proteger a saúde das pessoas e o meio ambiente. Para obter mais informações sobre onde descartar equipamentos para reciclagem, entre em contacto com o escritório local de sua cidade, o serviço de limpeza pública de seu bairro ou a loja em que adquiriu o produto.

IMPORTANT

CAREFULLY READ THE FOLLOWING INSTRUCTIONS BEFORE INSTALLING THE UNIT AND MAKE SURE THAT THE YELLOW AND GREEN GROUNDING CONDUCTOR IS DIRECTLY CONNECTED TO THE GROUND IN THE WELDING LOCATION./

THE UNIT MUST NEVER BE OPERATED WITHOUT PANELS AS THIS COULD BE DANGEROUS FOR THE OPERATOR AND COULD CAUSE SERIOUS DAMAGE TO THE EQUIPMENT.

THE UNIT WORKS ONLY WITH INPUT VOLTAGE OF 230Vac -50 Hz-1Ph.

THE INPUT CABLE IS ENERGIZED EVEN WHEN THE MAIN SWITCH IS ON THE "0" POSITION. THEREFORE, BEFORE SERVICING THE EQUIPMENT, MAKE SURE THAT THE 2 POLE PLUG IS DISCONNECTED FROM THE LINE SOCKET.

THIS WELDER CAN BE USED ONLY WITH DIESEL GENERATING SETS WITH POWER HIGHER THAN 7 KVA AT 230 V 50 HZ. (except for units supplied at 110V)

1.0 INTRODUCTION

1.1 EQUIPMENT IDENTIFICATION

The unit's identification number (specification or part number) model, and serial number usually appear on a nameplate attached to the rear panel. Equipment which does not have a control panel such as gun and cable assemblies is identified only by the specification or part number printed on the shipping container. Record these numbers for future reference.

1.2 RECEIPT OF EQUIPMENT

When you receive the equipment, compare it with the invoice to make sure it is complete and inspect the equipment for possible damage due to shipping. All machines dispatched have been scrupulously checked. However, should your machine not work properly, consult the section on TROUBLE SHOOTING in this manual. If the fault persists, consult your authorized dealer.

2.0 SAFETY WARNING

2.1 GENERAL INSTRUCTIONS

This manual contains all the necessary instructions for:

- the installation of the equipment;
 - a correct operating procedure;
 - an adequate maintenance of the equipment.
- Therefore, be sure this manual is carefully read and understood by the maintenance and technical operators.

2.2 LOCATION

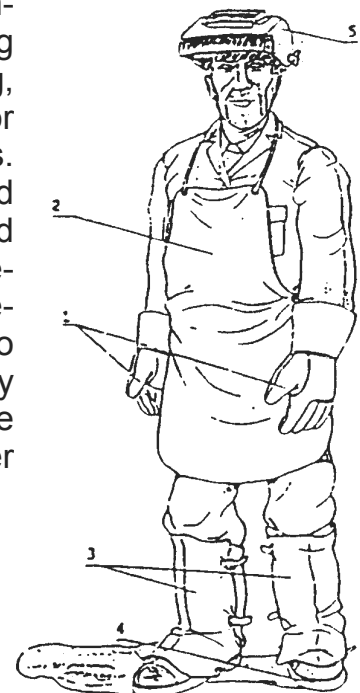
Welding processes of any kind can be dangerous not only to the operator but to any person situated near the equipment if safety and operating rules are not strictly observed.

Therefore the owner and the operator must be aware of all possible risks so that they may take the necessary safety precautions to avoid any kind of accident at work.

The main precautions to be observed are:

- Operators should protect their body by wearing non flammable, close fitting protective clothing, without pockets or turned-up trousers. Oil or grease should be carefully removed from all articles, before wearing. Operators should also wear closed safety boots with steel toe caps and with rubber soles (Fig. 1).

1. Leather gloves
2. Leather aprons
3. Shoes Cover
4. Security shoes
5. Face mask

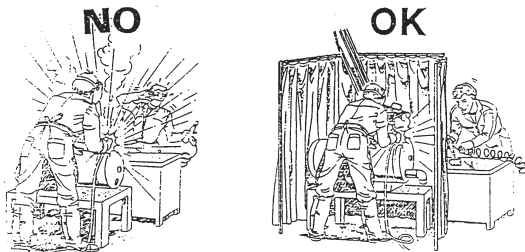


- Operators should wear a non- flammable welding helmet or face shield designed so as to shield the neck and the face, also on the sides. The helmet or the face shield should be fitted with protective glasses adequate to the welding process and current used. Glass screens must always be kept clean, and immediately replaced if they are broken or cracked (Fig.2). It is good practice to install a pane of transparent glass on top of the adiac-tinic glass, between it and the welding area.

This pane can be frequently replaced when incandescent spatters and deposits greatly reduce visibility. When working with coated plates that emit toxic fumes when heated, use an air-supplied respirator.



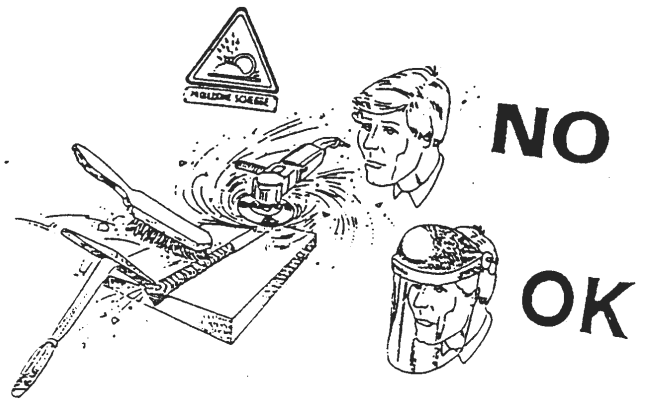
- Welding should be done in a closed area that does not open onto other working areas, in order to protect all workers against radiation and fumes. If such an area cannot be provided, the welding area must be delimited by protective screens painted in opaque black large enough to restrain the visibility of any person situated near the area (Fig. 3).



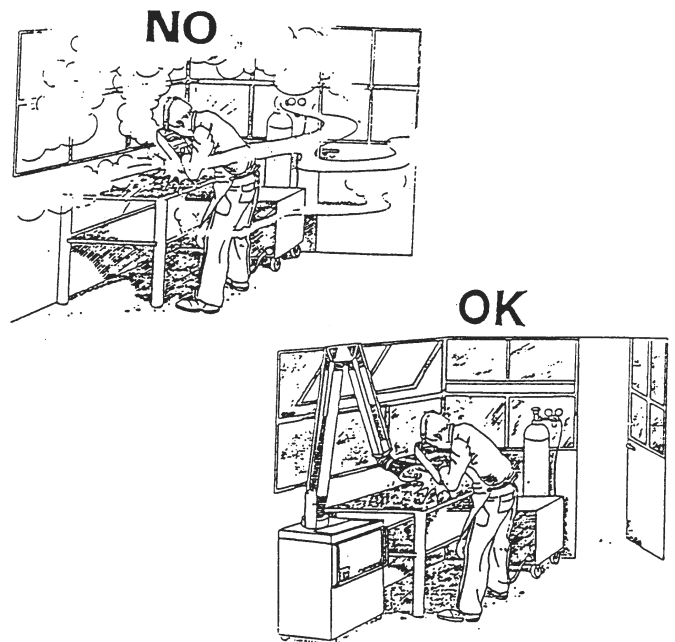
- Remove all chlorinated solvents from the welding area before welding. Certain chlorinated solvents decompose when exposed to ultraviolet radiation to form phosgene gas.
 - Never, under any circumstances, look at an electric arc without suitable eye protection (Fig. 4).



- Always wear protective goggles with transparent lenses to prevent splinters or other foreign particles from harming the eyes (Fig. 5).



- Adequate local exhaust ventilation must be used in the area. It should be provided through a mobile hood or through a built-in system on the workbench that provides exhaust ventilation from the sides, the front and below, but not from above the bench so as to avoid raising dust and fumes. Local exhaust ventilation must be provided together with adequate general ventilation and air circulation, particularly when work is done in a confined space. (Fig.6). Any symptom of stain or soreness to the eyes, the nose or the throat may be caused by inadequate ventilation; work must be stopped immediately and all necessary steps must be taken to provide adequate ventilation.



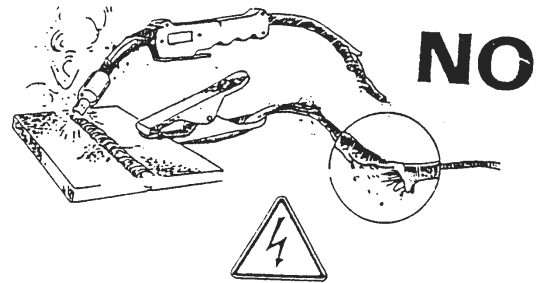
- Welding process must be performed on metal coatings thoroughly cleaned from layers of rust or paint, to avoid production of harmful fumes. The parts degreased with a solvent must be dried before welding.
 - Do not weld metal or painted metal containing zinc, lead, cadmium or beryllium unless the operator, or anyone else subjected to the fumes, is wearing respiratory equipment or an air-supplied helmet.

- Technical and sanitary protection of all welding operators-directly or indirectly involved in welding processes is provided by the regulations in force for sanitation and prevention of employment related injuries.

2.3 SAFETY INSTRUCTIONS

For your safety, before connecting the source to the line, closely follow these instructions:

- an adequate two-pole switch must be inserted before the two-pole main outlet; this switch must be equipped with time-delay fuses and it must match the data specified in the chapter "Technical Specification";
- the mono-phase connection with ground must be made with a two-pole plug compatible with the above mentioned socket;
- two wires of the two-pole input cable are used for the connection with the mono-phase line and the yellow-green wire for the compulsory connection to the ground in the welding location;
- connect all the metal parts which are near the operator in the welding location by using cables bigger or of the same cross section of the welding cable to a ground terminal;
- when working in a confined space, the power source must be kept outside the welding area and the ground cable should be welded to the workpiece; do not work in a damp or wet area in these conditions (Fig. 7).



- the operator should never touch, with any part of his body, high temperature or electrically hot metal parts (Fig. 9);

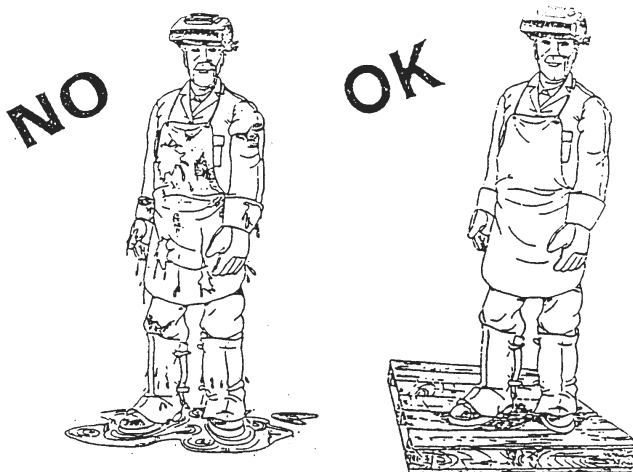


- the operator should never wind the welding cables around his body;
- the welding gun should never be pointed at the operator or at another person. The power source has a protection level IP 22; therefore, it prevents:
 - any manual contact with hot or moving internal parts;
 - the insertion of any solid body with more than 12mm diameter;
 - protected against vertically falling drops of water (condensation) with inclination max of 15°.

The source must never be operated without its panels; this could cause serious injury to the operator and could damage the equipment itself.

2.4 FIRE PREVENTION

The working area should conform to the Safety Regulations, and therefore, fire extinguishers should be provided in the area and walls, ceiling and floor should be non-flammable. All combustible material must be moved from the welding area (Fig. 10). If combustibles cannot be moved, they must be protected with fire-resistant cover. Ventilate potentially flammable atmospheres before welding. Never operate in an atmosphere which contains heavy concentrations of dust, flammable gas or combustible liquid vapor. The power source must be located in a safe area with a firm and flat floor; it should not be put against a wall. Do not weld containers in which fuel, lubricant or any other flammable material have been stored. After having com-



- do not use damaged welding or input cables (Fig. 8);

pleted your work, always check that the area is free of glowing or smoldering material.



2.5 SHIELDING GAS

Use the correct shielding gas for the welding process. Be sure that the regulator/flowmeter mounted on the cylinder is working well. Remember to keep away the cylinder from any source of heat.

2.6 PERMITTED NOISE LEVELS 86/188/EEC RULE.

Under normal circumstances the equipment used for electric arc welding does not exceed the permitted 80 dBA. However in certain conditions eg. high welding parameters in confined spaces, noise levels may exceed the permitted level. For this reason it is strongly recommended that operatives wear appropriate ear protection.

2.7 ELECTROMAGNETIC COMPATIBILITY.

Before installing the STICK/TIG welding unit, carry out an inspection of the surrounding area, observing the following guidelines:

- 1- Make sure that there are no other power supply cables, control lines, telephone leads or other equipment near the unit.
- 2- Make sure that there are no radio receivers or television appliances.
- 3- Make sure there are no computers or other control systems.
- 4- Make sure that there is no-one with a pacemaker or hearing aid in the area around the unit.
- 5- Check the immunity of any other equipment operating in the same environment.

In certain cases additional protective measures may be required.

Interference can be reduced in the following ways:

- 1- If there is interference in the power supply line, an E.M.C. filter should be inserted

between the mains and the unit.

2- The output cables of the unit should be shortened; these should be kept close together and stretched along the ground.

3- All the panels of the unit should be correctly closed after carrying out maintenance.

2.8 Medical and first aid treatment

First aid facilities and a qualified first aid person should be available for each shift for immediate treatment of electrical shock victims. A medical facility should be close by for immediate treatment of flash burns of the eye and skin burns.

EMERGENCY FIRST AID:

Call physician and ambulance immediately.

Use First Aid techniques recommended by The Red Cross.

DANGER: ELECTRIC SHOCK CAN BE FATAL

If person is unconscious and electric shock is suspected, do not touch the person if he or she is in contact with welding equipment, or other live electrical parts. Disconnect (open) power at wall switch and then use First Aid. Dry wood, wooden broom, or other insulating material can be used to move


cables, if necessary, away from the person.

3.0 BRIEF INTRODUCTION

Your welder belongs to a range of welding inverters for MMA - Manual Metal Arc Welding that adopts the latest pulse width modulation (PWM) technology and the insulated gate bipolar transistor (IGBT) power module to grant optimal performances: constant current output to make welding arc more stable and stepless current regulation. All inverters are fitted with automatic protection functions: overvoltage, overcurrent and overtemperature.

3.1 TECHNICAL DATA

NOTE: here below data may differ from the data on the technical table on the unit. Always refer to the technical data table on the unit.

		105 Amps	135 Amps	160 Amps
	(1 ph)	230V 50/60Hz	230V 50/60Hz	230V 50/60Hz
Power 60%	KVA	2	2,3	3,5
U _o	V	15	15	15
Amp. Min-Max	A ±10%	5 ÷ 105	5 ÷ 135	5 ÷ 160
Amp. 60974-1	A	25% 105 60% 65	25% 135 60% 85	25% 160 60% 105
Ø E	mm	1,6 ÷ 2,5	1,6 ÷ 3,25	1,6 ÷ 3,25
Insulation	-	H	H	H
Protec. Degree	-	IP22	IP22	IP22

4.0 INSTALLATION OF THE EQUIPMENT

Proper operation of the generator is ensured by adequate installation. The assembly of the inverter must be done by expert people, following the instructions and in full respect of the safety standards.

- Remove the welder from the carton box.

BEFORE ATTEMPTING ANY ELECTRICAL CONNECTION CHECK THE DATA PLATE AND MAKE SURE THAT THE INPUT VOLTAGE AND THE FREQUENCY ARE THE SAME OF THE MAINS OUTLET TO BE USED.

EARTHING

- To protect users the welding machines must be connected properly to the earth (ground) system (INTERNATIONAL SAFETY REGULATIONS).
- It is indispensable to earth (ground) the machine properly with the yellow-green conductor of the power supply cable, in order to avoid discharges due to accidental contacts with earthed objects.
- The chassis (that is conductive) is electrically connected to the earth conductor. Failure to earth the equipment correctly can cause electric shocks dangerous to the users.

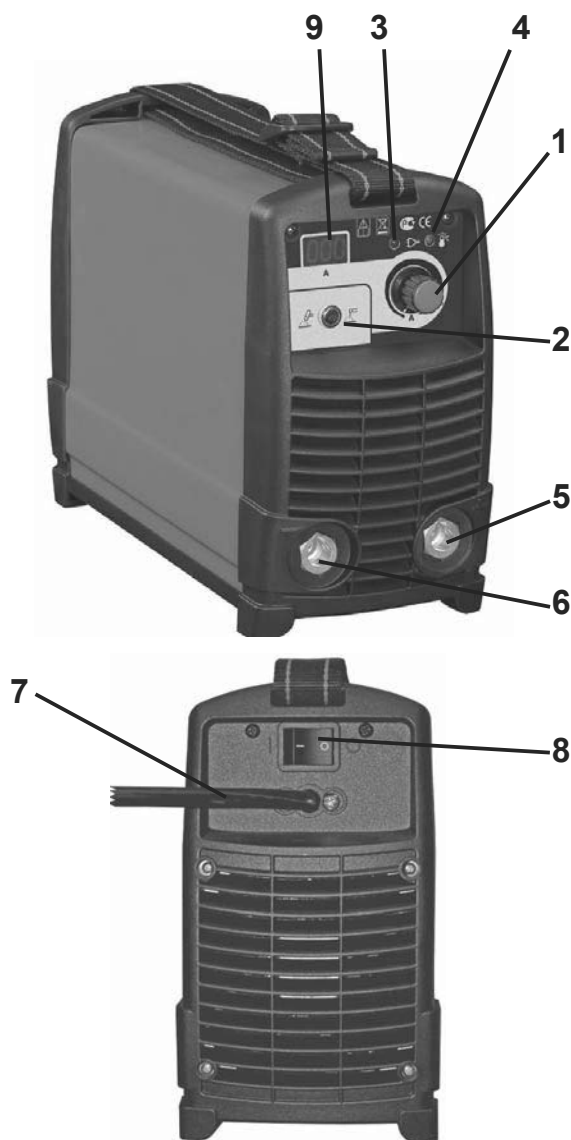
- Plug the inverter to the mains.

Do not use the generator with input cables' extensions longer than 10m and thinner than 2.5mm². Remember to keep them layed and not wound or entangled.

Do not use the welder with the side panels partially or completely removed in order to avoid accidental contacts with inner live parts.

- The inverter is now ready for use. Make sure you are welding in a properly ventilated area and that the ventilation openings of the machine are not obstructed (poor air ventilation may reduce the duty cycle of the unit and cause damages). Now you may choose the welding process by connecting the accessories as showed in the following pages.

5.0 INVERTER FUNCTIONS AND CONNECTIONS



- 5 dinse positive socket
- 6 dinse negative socket
- 7 Input Cable
- 8 ON/OFF Switch
- 9. Display

6.0 STICK WELDING

General information

The electric arc may be described as a source of bright light and strong heat; in fact, the flow of electric current in the gas atmosphere which surrounds the electrode and the workpiece determines the radiation of electromagnetic waves that can be perceived as light and/or heat depending on their wave length. At an unperceivable level, the arc also produces ultra-violet and infra-red light; ionizing rays have never been noted. The heat produced by the arc is used in the welding process to melt and join metal parts. The necessary electric current is supplied by special equipment commonly called welding machine.

- Connect the earth cable to the negative pole of the Inverter and the earth clamp to the workpiece.
- Connect the welding cable to the positive pole of the Inverter.
- Select the welding current using the potentiometer on the front panel. The welding current should be chosen following the instruction given by the electrodes manufacturer on the electrode box, but the following indications may be useful as general information:

ELECTRODE DIAMETER	WELDING CURRENT
1.5mm	30 A - 40A
2.0mm	50 A - 65 A
2.5mm	70 A - 100 A
3.25mm	100 A - 140 A
4.0mm	140 A - 160 A

- Switch the Inverter on. The two leds on the front panel will be respectively the green = lit and the yellow = off (for more details see page before). Select the stick welding through the switch placed on the front panel.

1 Adjusting welding current potentiometer

2 Stick / Tig Selector (only for the models which have it)

3 Green Led indicating power ON

Led ON = Power ON

Led OFF = Power OFF

Overvoltage Protection Intervention (reset the unit by switching it OFF, wait 20 seconds, then switch the unit ON)

4 Yellow Led

Led ON = indicating temperature limits are exceeded.

Warning: Let unit to cool down. When ready, the orange led will automatically shut off.

Led ON = indicating alarm condition due to overcurrent. Turn unit off and then on. In the case of protection intervention due to a current peak the unit will revert to working, if not so, please contact yr service centre.

- Protect your face with a mask or a helmet. Touch, with the electrode fastened, in the electrode holder, the work piece until the arc will be struck. (the inverter is featuring "hot start" to improve the striking.

Avoid hammering the workpiece with the electrode since it may loose the coating and increase the arc striking difficulties.

- After striking the arc keep feeding the electrode into the weld pool with an angle of about 60° and moving left to right so that you may control visually the welding. The length of the arc can also be controlled by lifting or lowering slightly the electrode. Also a variation of the welding angle may increase the size of the weld pool improving the capacity of surfacing of the slag.
- At the end of the weld let the slag cool off before removing it, using the brush-hammer.

CAUTION:
Protect your eyes when hitting the slag with the chip hammer to avoid damages.

CAUTION:
A bad start can be due to the dirty workpiece, a bad connection between earth cable and work piece, or the bad fastening of the electrode in the electrode holder.

7.0 QUALITY OF THE WELD

The quality of the weld will depend mainly on the ability of the welder, on the type of weld and on the quality of the electrode: Choose the proper electrode before attempting to weld, paying attention to the thickness and composition of the metal to be welded.

Correct welding current.

If the current is too high the electrode will burn fast and the weld pool will be wide irregular and difficult to be controlled. If the current is too low you will lack power and the weld pool will be narrow and irregular.

Correct arc length.

If the arc is too long it will cause spatters and small fusion of the welding piece. If the arc is too short the arc heat will be insufficient causing the electrode to stick to the workpiece.

Correct welding speed.

The correct welding speed will consent to achieve a weld of proper width, without waves or craters.

8.0 TIG WELDING

The TIG process uses the electrical arc struck between the tungsten electrode of the torch and the work piece surface.

In TIG welding the torch is always connected to the negative pole of the welder.

Welder preparation:

- Select TIG welding thru the Selector on the front panel.
- Connect the earth cable to the positive pole of the welder and the earth clamp to the work piece.
- Connect the TIG torch to the negative pole of the welder and the gas hose to the pressure regulator of the gas cylinder.

The flow of the gas is manually controlled using the knob on the torch handle. Use inert gas (argon) only.

- Turn the inverter on.

9.0 TIG WELDING BY SCRATCH ARC

- Ensure the electrode at the torch nozzle, protrudes by 4 - 5mm., also ensure that the electrode is sharply pointed with an angle of 40°-60°.

- Set the welding current considering the thickness of the material to be welded and of the diameter of the tungsten electrode to be used.

- Open the gas valve on the torch handle, allowing gas to flow from the torch nozzle. Cover your face with the head shield, bring the torch to within 3-4mm of the work, and at an angle of 45 °, so that the ceramic nozzle gently touches the work surface. (fig.b). Scratch the tip of the electrode until an arc develops, quickly withdraw the electrode and maintaining a gap of approx. 3-4 mm proceed to weld. To stop welding, simply remove the torch from the work piece.

REMEMBER to turn OFF the gas immediately you finish welding.

In order to avoid damages to the generator, we suggest only expert people to proceed with the SCRATCH ARC welding.

10.0 ORDINARY MAINTENANCE CAUTION!!!

BEFORE CARRY OUT ANY MAINTENANCE, UNPLUG THE MACHINE FROM THE MAINS POWER SUPPLY.

NOTES:

- The arc length generally varies between 3 and 6mm. depending on the type of joint, type and thickness of material, and so on.
- The torch is advanced in the direction of welding, without lateral movement, maintaining the torch angle of 45° to the workpiece.

The efficiency of the welding system over time is directly related to the frequency of maintenance jobs, such as:

For welding machines only need to be taken care inside. The dustier the working environment is, the more often this should be done.

- Take off the lid.
- Remove all traces of dust in the inner parts of the generator with a jet of compressed air at a pressure under 3Kg/cm.
- Check all electrical connections, making sure that nuts and screws have been firmly tightened.
- Do not delay in replacing worn-out parts.
- Put the lid back on.
- After completing the above operations, the generator is ready to be restarted following the instructions given in this manual.

FIG.A

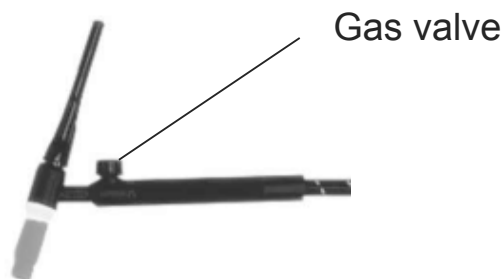
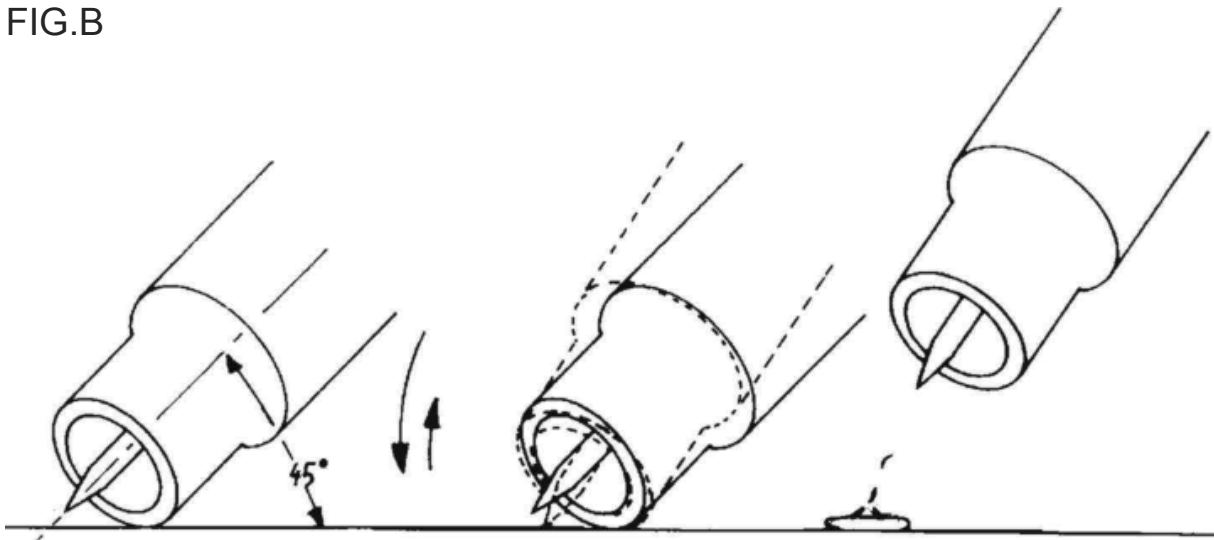


FIG.B



11.0 POSSIBLE WELDING DEFECTS

DEFECT	CAUSES	SUGGESTIONS
POROSITY	Acid electrode on steel with high sulphur content. Electrode oscillates too much. Workpieces are too far apart. Workpiece being welded is cold.	Use basic electrodes. Move edges to be welded closer together. Move slowly at the beginning. Lower welding current.
CRACKS	Material to be welded is dirty (e.g. oil, paints, rust, oxides). Not enough current.	Cleaning workpieces before welding is an essential method of achieving neat weld beads.
LIMITED PENETRATION	Low current. High welding rate. Reversed polarity. Electrode inclined in position opposite to its movement.	Make sure operating parameters are regulated and improve preparation of workpieces.
HIGH SPRAYS	Electrode is too inclined.	Make appropriate corrections.
PROFILE DEFECTS	Welding parameters are incorrect. Pass rate is not related to operating parameters requirements.	Follow basic and general welding principles.
ARC INSTABILITY	Not enough current.	Check condition of electrode and earth wire connection.
ELECTRODE MELTS OBLIQUELY	Electrode core is not centered. Magnetic blow phenomenon.	Replace electrode. Connect two earth wires to opposite sides of the workpiece.

12.0 TROUBLE SHOOTING

INCONVENIENCE	CAUSE	REMEDY
SPARK WILL NOT START	Bad primary connection. Inverter PCB is defective.	Check primary connection. Contact after sales service centre.
NO OUTPUT VOLTAGE	Overheated unit, yellow LED lit Overvoltage protection intervention, green LED off. Overcurrent protection intervention, yellow LED lit. Internal relay has failed. Inverter PCB is defective.	Wait for thermal cutout to be reset. Check power line. Reset the unit by turning it off and on after 20 seconds. Reset the unit by turning it off and on after 20 seconds. If the unit doesn't revert working contact after sales service centre. Contact after sales service centre. Contact after sales service centre.
WRONG OUTPUT CURRENT	Defective control potentiometer. Low primary power supply voltage.	Contact after sales service centre. Check power line.

IMPORTANTE

LEGGETE ATTENTAMENTE LE ISTRUZIONI PRIMA DI INSTALLARE L'APPARECCHIO E ACCERTATEVI CHE IL CONDUTTORE DI MESSA A TERRA GIALLO E VERDE SIA DIRETTAMENTE COLLEGATO ALLA TERRA NEL LUOGO DI SALDATURA.

L'APPARECCHIO NON DEVE MAI ESSERE UTILIZZATO SENZA I PANNELLI, IN QUANTO CIO' POTREBBE ESSERE PERICOLOSO PER L'OPERATORE E POTREBBE CAUSARE GRAVI DANNI ALL'ATTREZZATURA .

L'UNITA' LAVORA SOLO CON UNA TENSIONE DI ALIMENTAZIONE DI 230Vac-50Hz-1Ph.

IL CAVO DI ALIMENTAZIONE HA UNA TENSIONE ANCHE QUANDO L'INTERRUTTORE PRINCIPALE É SULLA POSIZIONE "0". QUINDI PRIMA DI RIPARARE L'APPARECCHIO ASSICURATEVI CHE LA SPINA A DUE POLI NON SIA COLLEGATA ALLA PRESA DI CORRENTE.

Questi generatori possono essere utilizzati esclusivamente con gruppi elettrogeni a diesel di potenza superiore a 7 KVA a 220V 50Hz.1.0 (eccetto unità alimentate a 110V)

INTRODUZIONE

1.1 TIPO DI GENERATORE DI SALDATURA

Il dati identificativi del generatore e il suo numero di serie compaiono sempre sulla targa dati sul pannello posteriore. Le torce e i cavi sono identificati dalle specifiche o dal numero di serie stampati sul loro imballo. Prendete nota di questi numeri per un eventuale riferimento.

1.2 RICEVIMENTO DELLA SORGENTE DI SALDATURA

Quando ricevete l'apparecchiatura confrontatela con la fattura per assicurarvi che ci sia corrispondenza e controllatela bene al fine di individuare possibili danni dovuti al trasporto. Tutte le apparecchiature spedite sono state sottoposte ad un rigoroso controllo di qualità. Se tuttavia la Vostra apparecchiatura non dovesse funzionare correttamente, consul-

tate la sezione RICERCA GUASTI di questo manuale. Se il difetto permane, consultate il Vostro concessionario autorizzato.

2.0 PRECAUZIONI SULLA SICUREZZA

2.1 ISTRUZIONI GENERALI

Questo manuale contiene tutte le istruzioni necessarie per :

- l'installazione della sorgente di saldatura;
- un corretto utilizzo;
- un'adeguata manutenzione.

Assicuratevi che questo manuale venga letto e capito sia dall'operatore che dal personale tecnico addetto alla manutenzione.

2.2 LUOGO DI UTILIZZO

Se le norme di sicurezza e di utilizzo non vengono osservate attentamente, le operazioni di saldatura possono risultare pericolose non solo per l'operatore, ma anche per le persone che si trovano nelle vicinanze del luogo di saldatura.

Perciò il proprietario e l'utilizzatore devono essere a conoscenza di tutti i rischi possibili, in modo tale da poter prendere le precauzioni necessarie per evitare incidenti sul lavoro. Le precauzioni principali da osservare sono:

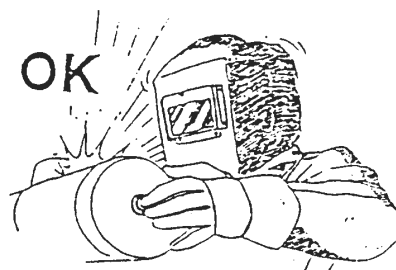
- Gli operatori devono proteggere il proprio corpo indossando tute di protezione chiuse e non infiammabili, senza tasche o risvolti. Eventuali tracce di olio o grasso devono essere rimosse da tutti gli indumenti prima di indossarli. Gli operatori devono anche calzare stivali con punte di acciaio e soles di gomma (Fig. 1).

1. Guanti in pelle
2. Grembiule in pelle
3. Copriscarpe
4. Scarpe di sicurezza
5. Mashera



- Gli operatori devono indossare un casco o una maschera per saldatore, non infiammabile, disegnato in modo da proteggere il collo e il viso, anche dai lati. L'elmetto o la

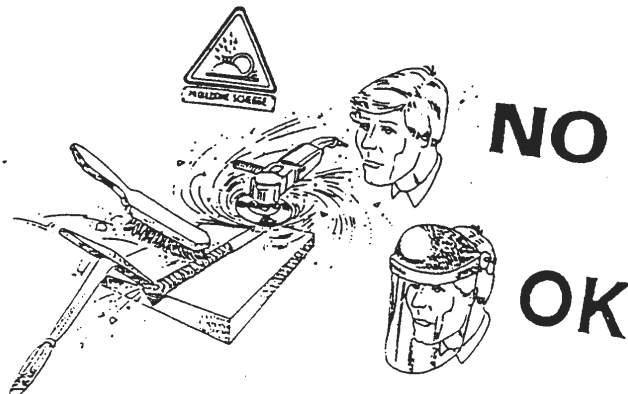
maschera devono essere dotati di vetri protettivi scuri adatti al processo di saldatura e alla corrente usata. Occorre mantenere sempre puliti i vetri di protezione e sostituirli se sono rotti o crepati (Fig.2). E' buona abitudine installare un vetro trasparente tra il vetro inattinico e l'area di saldatura. Questo vetro deve essere sostituito con frequenza quando spruzzi e schegge riducono notevolmente la visibilità. Utilizzate un respiratore quando lavorate con piastre rivestite, che emettono fumi tossici se riscaldate.



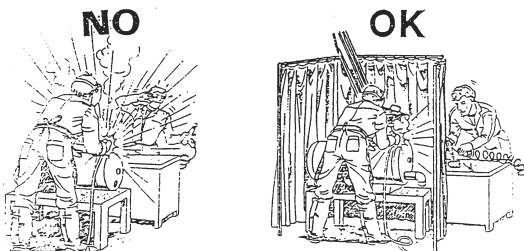
- Indossate sempre occhiali di protezione con lenti trasparenti per evitare schegge ed altre particelle estranee che possono danneggiare gli occhi (Fig.5).



- L'operazione di saldatura deve essere eseguita in un ambiente isolato rispetto alle altre zone di lavoro, così da proteggere gli operatori contro radiazioni e fumi. Se ciò non è possibile, l'area di saldatura deve essere delimitata con pannelli di protezione color nero larghi abbastanza da restringere il campo visivo delle persone nelle vicinanze della zona (Fig.3).

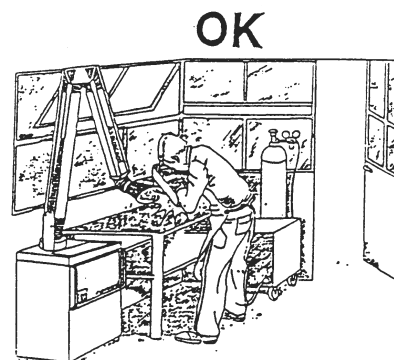
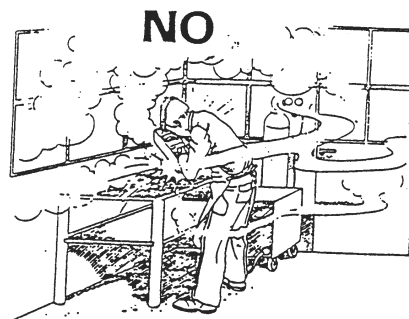


- L'area di saldatura deve essere fornita di un' adeguata aspirazione locale che può essere data da una cappa di aspirazione o da un sistema precostruito sul banco di lavoro che provveda all'aspirazione dai lati, davanti e sotto, ma non sopra al banco così da evitare il formarsi di polvere e fumi. L'apirazione locale deve essere abbinata ad una adeguata ventilazione generale ed al ricircolo d'aria specialmente quando si sta lavorando un uno spazio ristretto (Fig.6). Qualsiasi sintomo di fastidio o dolore agli occhi, al naso o alla gola può essere causato da una inadeguata ventilazione; in tal caso interrompete immediatamente il lavoro e provvedete all'adeguata



- Prima di saldare allontanate dal luogo di lavoro tutti i solventi che contengono cloro. Alcuni solventi clorinati si decompongono una volta esposti a radiazioni ultraviolette, formando così gas fogene.

- Non guardate mai, per nessun motivo, un arco voltaico senza una adatta protezione agli occhi (Fig.4).



ventilazione dell'area.

- Il procedimento di saldatura deve essere eseguito su superfici metalliche ripulite da strati di ruggine o vernice e ciò al fine di evitare il formarsi di fumi dannosi. Prima di saldare occorre asciugare le parti che sono state sgrassate con solventi.

- Non saldate metalli o metalli verniciati che contengono zinco, piombo, cadmio o berillio a meno che l'operatore e le persone vicine non indossino un respiratore o un elmetto con bombola di ossigeno.

- La protezione tecnica e sanitaria di tutti gli operatori addetti alla saldatura - coinvolti sia direttamente che indirettamente nel processo - è garantita anche dalle disposizioni di legge e ciò al fine di evitare gli incidenti sul lavoro.

2.3 ISTRUZIONI PER LA SICUREZZA

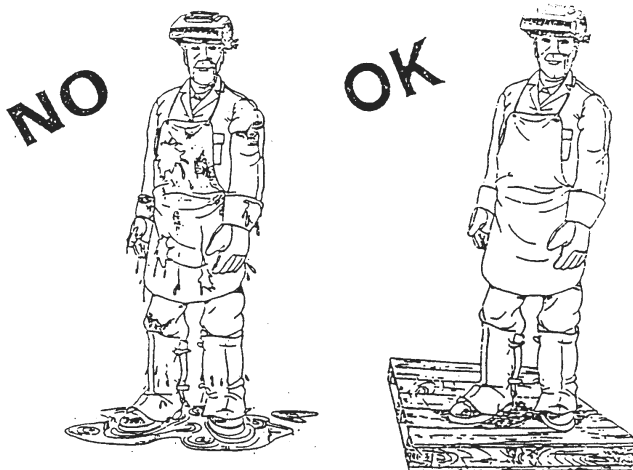
Per salvaguardare la vostra sicurezza, seguite attentamente queste istruzioni prima di collegare il generatore alla linea:

- un interruttore adeguato a due poli deve essere inserito prima della presa principale di corrente; questa deve essere dotata di fusibili ritardati che devono essere conformi ai valori indicati nel capitolo "Dati Tecnici";

- il collegamento mono-fase con cavo di terra deve essere eseguito con una spina a due poli compatibile con la presa menzionata sopra;

- i due fili del cavo di alimentazione a due poli sono impiegati per il collegamento con la linea mono-fase mentre il filo giallo-verde è usato per il collegamento obbligatorio a terra nel luogo di saldatura;

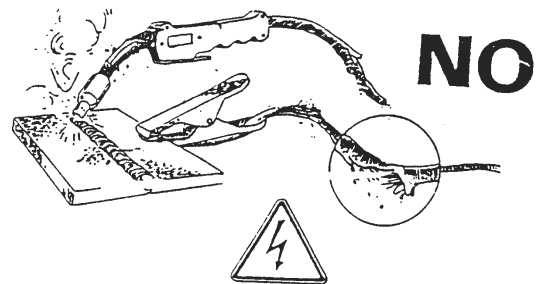
- collegate al terminale di terra tutte le parti metalliche che sono vicine all'operatore, utilizzando cavi più grossi o della stessa sezione dei cavi di saldatura;



- quando state lavorando in un luogo ristretto, l'apparecchio deve essere collocato fuori

dell'area di saldatura e il cavo di massa deve essere fissato al pezzo in lavorazione. Non operate in una zona umida o bagnata in queste condizioni (Fig.7);

- non utilizzate cavi di alimentazione o di saldatura danneggiati (Fig.8);



- l'operatore non deve mai toccare, con nessuna parte del corpo, pezzi di metallo riscaldati ad alta temperatura o carichi elettricamente (Fig.9);



- l'operatore non deve mai avvolgere i cavi di saldatura attorno al proprio corpo;

- la torcia di saldatura non deve mai essere puntata verso l'operatore o un'altra persona. L'apparecchio ha una protezione in classe IP 22, quindi impedisce:

- ogni contatto manuale con parti interne calde o in movimento;

- l'inserimento di corpi solidi con un diametro superiore a 12mm;

- una protezione contro le cadute verticali di acqua (condensazione) con inclinazione massima di 15°.

Il generatore non deve mai essere utilizzato senza i suoi pannelli; ciò potrebbe causare gravi lesioni all'operatore oltre a danni alla apparecchiatura stessa.

2.4 PREVENZIONE DI INCENDIO

L'area di lavoro deve essere conforme alle norme di sicurezza, quindi occorre siano presenti gli estintori. Mentre il soffitto, il pavimento e le pareti devono essere non infiammabili. Tutto il materiale combustibile deve essere spostato dal luogo di lavoro (Fig.10). Se non si può allontanare il combustibile, copritelo con una copertura resistente al fuoco. Prima di cominciare a saldare, ventilare gli ambien-

ti dove l'area è potenzialmente infiammabile. Non operate in un'atmosfera che ha una concentrazione notevole di polvere, gas infiammabile o vapore liquido combustibile. Il generatore deve essere situato in un luogo con pavimento solido e liscio; non deve essere appoggiato al muro. Non saldate recipienti che contenevano benzina, lubrificante o altre sostanze infiammabili. Dopo aver finito di saldare, accertatevi sempre che nella zona non siano rimasti materiali incandescenti o in fiamme.



2.5 GAS DI PROTEZIONE

Per il processo di saldatura utilizzate il gas corretto. Assicuratevi che il regolatore installato sulla bombola funzioni correttamente. Ricordate di conservare la bombola lontano da fonti di calore.

2.6 LIVELLO DI RUMORE PERMESSO DALLA LEGGE 86/188/EEC

Operando in condizioni normali, l'apparecchiatura utilizzata per la saldatura ad arco non supera gli 80 dBA. Comunque in condizioni particolari, ad esempio alti parametri di saldatura in ambienti limitati, i livelli del rumore possono eccedere il limite permesso. Per questa ragione è fortemente raccomandato di indossare idonee protezioni per le orecchie.

2.7 COMPATIBILITÀ ELETTROMAGNETICA

Prima di installare una unità di saldatura STICK/TIG, effettuate una ispezione dell'area circostante, osservando quanto segue:

- 1- Accertatevi che vicino all'unità non vi siano altri cavi di generatori, linee di controllo, cavi telefonici o apparecchiature varie.
- 2- Controllate che non siano presenti ricevitori telefonici o apparecchiature televisive.
- 3- Assicuratevi che non vi siano computer o altri sistemi di controllo.
- 4- **Nell'area attorno alla macchina non**

devono essere presenti persone con pacemaker o protesi per l'udito.

5- Controllate l'immunità di ogni strumento che opera nello stesso ambiente.

In casi particolari possono essere richieste misure di protezione aggiuntive.

Le interferenze possono venire ridotte seguendo questi accorgimenti:

1- Se c'è una interferenza nella linea del generatore, si può inserire un filtro E.M.C tra la rete e l'unità.

2- I cavi di uscita della macchina dovrebbero essere accorciati, tenuti assieme e allungati a terra.

3- Dopo aver terminato la manutenzione, occorre chiudere in maniera corretta tutti i pannelli del generatore.

2.8 CURE MEDICHE E DI PRIMO SOCCORSO

Ogni luogo di lavoro deve essere dotato di una cassetta di pronto soccorso e deve essere presente una persona qualificata in cure di primo soccorso, per un aiuto immediato alle persone vittime di uno shock elettrico. Inoltre devono essere disponibili tutti i trattamenti per la cura di bruciature degli occhi e della pelle.

CURE DI PRIMO SOCCORSO:

Chiamate subito un medico e una ambulanza. Ricorrete a pratiche di Primo Soccorso raccomandate dalla Croce Rossa.

ATTENZIONE: LO SHOCK ELETTRICO PUO' ESSERE MORTALE


Se la persona è incosciente e c'è il sospetto di uno shock elettrico, non toccate la persona se lei o lui sono in contatto con comandi. Togliete l'alimentazione alla macchina e ricorrete a pratiche di Primo Soccorso. Per allontanare i cavi dalla vittima puo' essere usato, se necessario, legno asciutto o una scopa di legno o altro materiale isolante.

3.0 CARATTERISTICHE GENERALI

La vostra saldatrice fa parte di una serie composta da inverter per saldatura al elettrodo (MMA - Manual Metal Arc Welding) che adottano la tecnologia della modulazione della larghezza degli impulsi (PWM - Pulse Width Modulation) e moduli di potenza con transistor bipolare con gate isolato (IGBT - Insulated Gate Bipolar Transistor) per garantire ottime prestazioni: corrente costante in uscita per rendere l'arco di saldatura più stabile e regolazione lineare della corrente. Tutti gli inverter sono dotati di alcune funzioni di protezione automatiche: sovratensione, sovracorrente, sovratemperatura.

3.1 DATI TECNICI

NOTA: i dati qui riportati possono differire da quelli riportati in targa dati sulla macchina. Fate sempre riferimento anche alla targa dati della macchina.

		105 Amps	135 Amps	160 Amps
	(1 ph)	230V 50/60Hz	230V 50/60Hz	230V 50/60Hz
Power 60%	KVA	2	2,3	3,5
U ₀	V	15	15	15
Amp. Min-Max	A ±10%	5 ÷ 105	5 ÷ 135	5 ÷ 160
Amp. 60974-1	A	25% 105 60% 65	25% 135 60% 85	25% 160 60% 105
Ø E	mm	1,6 ÷ 2,5	1,6 ÷ 3,25	1,6 ÷ 3,25
Insulation	-	H	H	H
Protec. Degree	-	IP22	IP22	IP22

4.0 INSTALLAZIONE DELL'APPARECCHIATURA

Il buon funzionamento del generatore è assicurato da una sua adeguata installazione che deve quindi essere eseguita da personale esperto, seguendo le istruzioni e nel pieno rispetto delle norme anti-infortunio.

- Togliete la saldatrice dal cartone.

Prima di effettuare qualsiasi collegamento elettrico controllate la targa dati tecnici ed accertatevi che la tensione in entrata e la frequenza siano gli stessi della rete principale che deve essere usata.

MESSA A TERRA

- Per la protezione degli utenti la saldatrice dovrà essere assolutamente collegata correttamente all'impianto di terra (NORMATIVE INTERNAZIONALI DI SICUREZZA)

- E' indispensabile predisporre una buona messa a terra tramite il conduttore giallo-verde del cavo di alimentazione, onde evitare scariche dovute a contatti accidentali con oggetti messi a terra.

- Lo chassis, che è conduttivo, è connesso elettricamente con il conduttore di terra; non collegare correttamente a terra l'apparecchiatura può provocare shock elettrici pericolosi per l'utente.

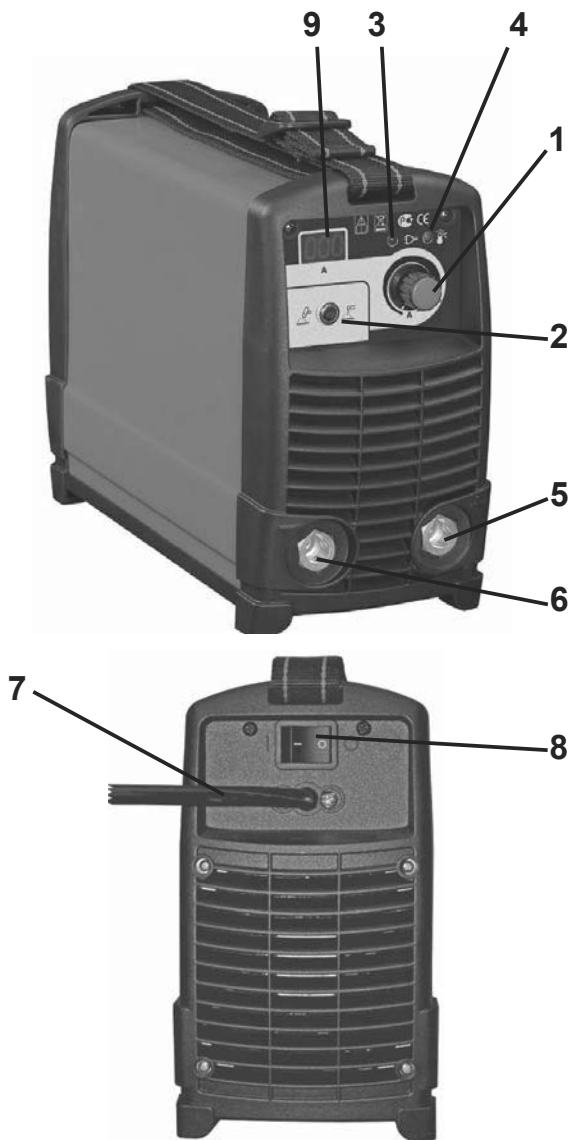
- Collegare l'inverter alla rete.

Non utilizzate l'inverter con prolunghe di cavi di alimentazione che superino i 10m o con sezione inferiore a 2.5mm². Ricordatevi di tenere i cavi ben distesi e non avvolti o ingarbugliati.

Non usate l'inverter con i pannelli parzialmente o completamente rimossi al fine di evitare il contatto accidentale con le parti più interne che sono cariche.

- L'inverter è adesso pronto per l'utilizzo. Accertatevi di saldare in un'area adeguatamente ventilata e che le prese per l'aria della macchina non siano ostruite (una scarsa ventilazione potrebbe ridurre il rendimento della macchina e causare danni). Ora potete scegliere il processo di saldatura collegando gli accessori come indicato nelle pagine seguenti.

5.0 FUNZIONI E CONNESSIONI DELL'INVERTER



1 Potenziometro regolazione corrente di saldatura

2 Interruttore Stick / Tig (solo per alcuni modelli)

3 Led verde di rete

Led ON = generatore acceso

Led OFF = generatore spento

Intervento Protezione sovratensione (ripristinate l'unità spegnendola, aspettate 20 secondi, poi riaccendetela)

4 Led giallo

Led ON = allarme per sovratemperatura.

Attenzione: Lasciate che l'unità si raffreddi, quando pronta il led si spegnerà automaticamente.

Led ON = sovracorrente. Provate a spegnere e riaccendere la macchina. Nel caso la protezione sia intervenuta per un picco di corrente la macchina riprenderà a funzionare, nel caso che la macchina non riprenda il suo normale funzionamento rivolgetevi ad un centro

assistenza.

5 presa dinse positiva

6 presa dinse negativa

7 Cavo di alimentazione (retro)

8 Interruttore ON/OFF (retro)

9 Display

6.0 SALDATURA AD ARCO

Norme generali

L'arco elettrico può essere descritto come una fonte di luce brillante e di calore intenso. Infatti il flusso di corrente elettrica nell'atmosfera del gas che circonda l'elettrodo e il pezzo da saldare provocano l'emanazione di onde elettromagnetiche che vengono percepite come una luce o una fonte di calore, a seconda della lunghezza d'onda. Ad un livello impercettibile, l'arco produce anche luce ultra-violetta e infra-rossa; i raggi ionizzati non vengono mai percepiti. Il calore prodotto dall'arco è utilizzato nel processo di saldatura per fondere e unire assieme parti di metallo. La corrente elettrica necessaria è fornita da una apparecchiatura comunemente chiamata saldatrice.

- Collegate il cavo di massa al polo negativo dell'inverter e la pinza di massa al pezzo di saldatura.
- Collegate il cavo di saldatura al polo positivo dell'inverter.
- Selezionate la corrente di saldatura utilizzando la manopola di controllo sul pannello frontale. La corrente di saldatura deve essere scelta seguendo le istruzioni fornite dal produttore degli elettrodi e scritte sulla confezione degli stessi.

Le indicazioni seguenti possono essere utili come informazioni generali:

DIAMETRO DELL'ELETTRODO	CORRENTE DI SALDATURA
1.5mm	30 A - 40A
2.0mm	50 A - 65 A
2.5mm	70 A - 100 A
3.25mm	100 A - 140 A
4.0mm	140 A - 160 A

- Accendete l'inverter. I due leds sul pannello saranno rispettivamente: quello verde = acceso, quello giallo = spento

(per maggiori dettagli fate riferimento alla pagina precedente). Nei modelli che consentono la saldatura ad elettrodo e Tig selezionare la saldatura ad arco mediante interruttore posto sul pannello frontale.

- Proteggete la vostra faccia con una maschera o con un elmetto. Toccate con l'elettrodo inserito nella pinza portaelettrodo il pezzo da saldare, fino a che l'arco non si innesca (l'inverter ha la funzione "HOT START" per migliorare l'innesco).

Evitate di danneggiare il pezzo da saldare con l'elettrodo, perché potrebbe liberare il rivestimento e aumentare le difficoltà di innesco dell'arco.

- Dopo l'innesco dell'arco mantenete l'elettrodo nella stessa posizione con un angolo di circa 60° e muovendo da sinistra a destra potrete controllare visivamente la saldatura. La lunghezza dell'arco può essere controllata anche alzando o abbassando leggermente l'elettrodo. Una variazione dell'angolo di saldatura potrebbe aumentare la misura dell'area di saldatura, migliorando la capacità di copertura della scoria.

- Alla fine della saldatura lasciate raffreddare il residuo prima di toglierlo, usando la spazzola con il puntale.

Attenzione:

**-proteggete i vostri occhi
-evitate danni quando togliete il residuo con la spazzola ed il puntale.**

ATTENZIONE!

Un cattiva partenza può essere provocata dal materiale da saldare sporco, da un cattivo collegamento tra il cavo di massa ed il pezzo da saldare o da errato fissaggio dell'elettrodo nella pinza porta elettrodo.

7.0 QUALITÀ DELLA SALDATURA

La qualità della saldatura dipende principalmente dall'abilità del saldatore, dal tipo di saldatura e dalla qualità dell'elettrodo. Prima di cominciare a saldare scegliete il modello e il diametro dell'elettrodo più adatti, prestando attenzione allo spessore e alla composizione del metallo da saldare e alla posizione della saldatura.

Corrente corretta di saldatura.

Se l'intensità di corrente è troppo alta, l'elettrodo si brucierà in fretta, mentre la saldatura

risulterà molto irregolare e difficile da controllare. Se la corrente è invece troppo bassa, perderete potenza e la saldatura risulterà stretta e irregolare.

Lunghezza corretta dell'arco.

Se l'arco è troppo lungo, esso causerà sbavature e una piccola fusione del pezzo in lavorazione. Se invece l'arco è troppo corto il suo calore risulterà insufficiente e di conseguenza l'elettrodo si attaccherà al pezzo in lavorazione.

Velocità corretta di saldatura.

La corretta velocità di saldatura consentirà di ottenere una saldatura dall'ampiezza più adatta, senza onde o scanalature.

8.0 SALDATURA A TIG

Il processo a tig utilizza l'arco elettrico innescato tra l'elettrodo a tungsteno della torcia e la superficie del pezzo da saldare.

Nella saldatura a tig la torcia è sempre collegata al polo negativo della saldatrice.

Preparazione della saldatrice :

- selezionate la saldatura a TIG
- Collegate il cavo di massa al polo positivo della saldatrice e la pinza di massa al pezzo da saldare.

- Collegate la torcia tig al polo negativo della saldatrice e il tubo del gas al regolatore di pressione della bombola di gas.

Il flusso del gas è controllato manualmente tramite la manopola sull'impugnatura della torcia. Utilizzate solo gas inerte (Argon).

- Accendete l'inverter.

9.0 SALDATURA A TIG CON PARTENZA A STRISCIO

- Assicuratevi che l'elettrodo sporga dall'ugello almeno 4-5mm, assicuratevi anche che la sua punta sia a circa 40°-60° dal pezzo.

- Impostate la corrente di saldatura considerando lo spessore del materiale da saldare ed il diametro dell'elettrodo tungsteno da usare.

- Aprite la valvola del gas sull'impugnatura della torcia, lasciando fuoriuscire il gas dall'ugello. Coprite la vostra faccia con la maschera di protezione, portate la torcia a 3-4mm

dal pezzo e ad un angolo di circa 45°, in modo che l'ugello cermico tocchi la superficie del pezzo (fig.b). Sfregate la punta dell'elettrodo finchè l'arco si sviluppa, allontanatevi subito e mantenete una distanza di circa 3-4mm procedendo a saldare. Per terminare la saldatura sollevate la torcia dal pezzo da saldare.

RICORDATEVI di chiudere la valvola del gas quando avete terminato di saldare.

Per evitare di compromettere il buon funzionamento del generatore, si consiglia di far utilizzare la partenza in Scratch Arc solo a personale esperto.

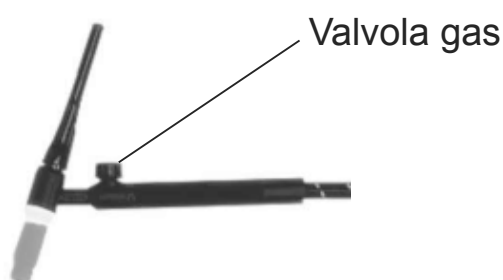
NOTA:

a) La lunghezza dell'arco varia generalmente da 3 a 6mm a seconda del tipo di giunto, tipo e spessore di materiale, ecc..

b) La torcia deve avanzare nella direzione della saldatura, senza movimenti laterali, mantenendo un angolo di 45° con il pezzo da saldare.

10.0 MANUTENZIONE ORDINARIA

FIG.A

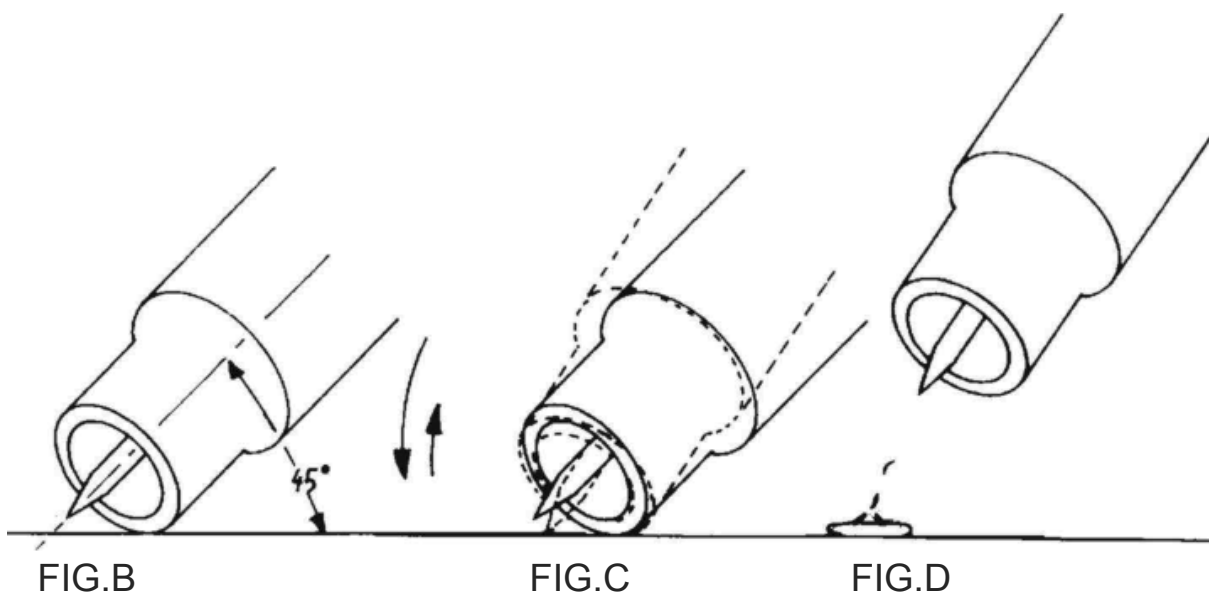


ATTENZIONE!!!

PRIMA DI OGNI INTERVENTO SCONNETTERE LA MACCHINA DALLA RETE PRIMARIA DI ALIMENTAZIONE.

L'efficienza dell'impianto di saldatura nel tempo, è direttamente legata alla frequenza delle operazioni di manutenzione, in particolare: Per le saldatrici è sufficiente avere cura della loro pulizia interna, che va eseguita tanto più spesso, quanto più polveroso è l'ambiente di lavoro.

- Togliete la copertura.
- Togliete ogni traccia di polvere dalle parti interne del generatore mediante getto d'aria compressa con pressione non superiore a 3 KG/cm.
- Controllate tutte le connessioni elettriche, assicurandovi che viti e dadi siano ben serrati.
- Non esitate nel sostituire i componenti deteriorati.
- Rimontare la copertura.
- Esaurite le operazioni sopra citate, il generatore è pronto per rientrare in servizio seguendo le istruzioni riportate in questo manuale.



11.0 POSSIBILI DIFETTI DI SALDATURA

DIFETTO	CAUSE	CONSIGLI
POROSITA'	Elettrodo acido su acciaio ad alto tenore di zolfo. Oscillazioni eccessive dell'elettrodo. Distanza eccessiva tra i pezzi da saldare. Pezzo in saldatura freddo.	Usare elettrodo basico. Avvicinare i lembi da saldare. Avanzare lentamente all'inizio. Diminuire la corrente di saldatura.
CRICCHE	Materiale da saldare sporco (es. olio, vernice, ruggine, ossidi). Corrente insufficiente.	Pulire il pezzo prima di saldare è principio fondamentale per ottenere buoni cordoni di saldatura.
SCARSA PENETRAZIONE	Corrente bassa. Velocità di saldatura elevata. Polarità invertita. Elettrodo inclinato in posizione opposta al suo movimento.	Curare la regolazione dei parametri operativi e migliorare la preparazione del pezzo da saldare.
SPRUZZI ELEVATI	Inclinazione eccessiva dell'elettrodo.	Effettuare le opportune correzioni.
DIFETTI DI PROFILI	Parametri di saldatura non corretti. Velocità passata non legata alle esigenze dei parametri operativi.	Rispettare i principi basilari e generali di saldatura.
INSTABILITA' DELL'ARCO	Corrente insufficiente.	Controllare lo stato dell'elettrodo ed il collegamento del cavo di massa.
FUSIONE OBLIQUA DELL'ELETTRODO	Elettrodo con anima non centrata. Fenomeno del soffio magnetico.	Sostituire l'elettrodo. Connettere due cavi di massa ai lati opposti del pezzo da saldare.

12.0 POSSIBILI INCONVENIENTI DI FUNZIONAMENTO

INCOVENIENTE	CAUSA	RIMEDIO
MANCATA ACCENSIONE	Allacciamento primario non corretto. Scheda inverter difettosa.	Controllare il collagamento primario. Rivolgersi al proprio centro di assistenza.
ASSENZA DI TENSIONE IN USCITA	Macchina surriscaldata, Led giallo acceso. Limiti di sovratensione superati, Led verde spento. Intervento protezione per sovracorrente, Led giallo acceso Relè interno guasto. Scheda inverter difettosa.	Aspettare il ripristino termico. Controllare la rete di distribuzione. Ripristinare l'unità spegnendola, aspettare 20 secondi, poi riaccenderla. Ripristinare l'unità spegnendola, aspettare 20 secondi, poi riaccenderla. In caso di mancato funzionamento rivolgersi al proprio centro di assistenza. Rivolgersi al proprio centro di assistenza.
CORRENTE IN USCITA NON CORRETTA	Potenziometro di regolazione difettoso. Tensione di alimentazione primaria bassa.	Rivolgersi al proprio centro di assistenza. Controllare la rete di distribuzione.

IMPORTANTE

LEAN ATENTAMENTE LAS INSTRUCCIONES ANTES DE INSTALAR EL APARATO Y ASEGÚRENSE DE QUE EL CONDUCTOR DE PUESTA A TIERRA AMARILLO Y VERDE ESTÉ DIRECTAMENTE CONECTADO A TIERRA EN EL LUGAR DE SOLDADURA.

EL APARATO NO DEBE UTILIZARSE NUNCA SIN LOS PANELES, YA QUE PODRÍA SER PELIGROSO PARA EL OPERADOR Y PODRÍA DAÑAR SERIAMENTE AL EQUIPO.

EL APARATO TRABAJA SOLAMENTE CON UNA TENSIÓN DE ALIMENTACIÓN DE 230Vac-50Hz-1Ph.

EL CABLE DE ALIMENTACIÓN TIENE TENSIÓN AUN CUANDO EL INTERRUPTOR PRINCIPAL ESTÉ EN LA POSICIÓN "0". POR CONSIGUIENTE, ANTES DE REPARAR EL APARATO, ASEGÚRENSE DE QUE EL ENCHUFE BIPOLAR NO ESTÉ CONECTADO A LA TOMA DE CORRIENTE.

**ATENCIÓN!!!
ESTAS MAQUINAS PUEDEN SER UTILIZADAS EXCLUSIVAMENTE CON GRUPOS ELECTROGENO DIESEL DE POTENCIA SUPERIOR A 6 KWA A 230 VOLTIOS 50HZ.**

1.0 INTRODUCCIÓN

1.1 TIPO DE GENERADOR DE SOLDADURA

Los datos de identificación del generador y su número de serie figuran siempre en la plaquita colocada en el panel posterior.

Los portaelectrodos y los cables están identificados sólo por las normas o por el número de serie impreso en su embalaje.

Tomen nota de estos números para usarlos eventualmente como referencia.

1.2 RECEPCIÓN DEL EQUIPO DE SOLDADURA

Cuando reciban el aparato, compárenlo con la factura para asegurarse de que todo corresponda y contrólenlo bien para determinar si se han verificado daños durante el transporte.

2.0 PRECAUCIONES DE SEGURIDAD

2.1 INSTRUCCIONES GENERALES

Este manual contiene todas las instrucciones necesarias para:

- instalar la fuente de soldadura;
- usar correctamente el aparato;
- realizar una adecuada mantenimiento.

Asegúrense de que este manual sea leído y comprendido tanto por el operador como por personal técnico encargado de la mantenimiento.

2.2 LUGAR DE UTILIZACIÓN

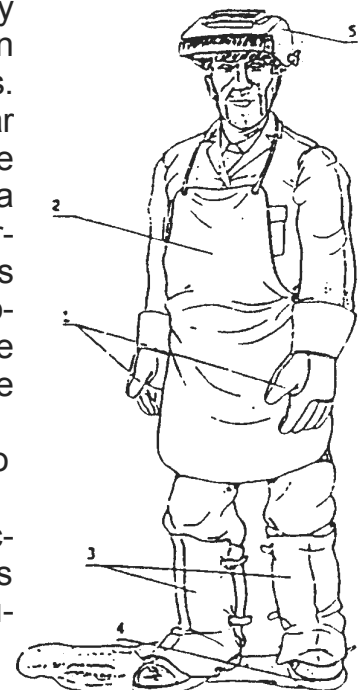
Si las normas de seguridad y de utilización no se observan atentamente, las operaciones de soldadura pueden resultar peligrosas no sólo para el operador, sino incluso para las personas que se encuentran en proximidad del área de soldadura.

Por esto, el propietario y quien utiliza el aparato tienen que conocer todos los riesgos posibles, a fin de poder tomar las precauciones necesarias para evitar accidentes en el trabajo. Las principales precauciones son:

Los operadores tienen que proteger el propio cuerpo llevando trajes de trabajo de protección, cerrados y no inflamables, sin bolsillos ni pliegues. Hay que eliminar eventuales rastros de aceite o grasa de la ropa antes de ponérsela. Los operadores tienen que llevar botas con la punta de acero y suelas de goma (Fig. 1).

1. Guantes de cuero
2. Bata de cuero
3. Cobertura protectora para los zapatos
4. Zapatos de seguridad
5. Máscara

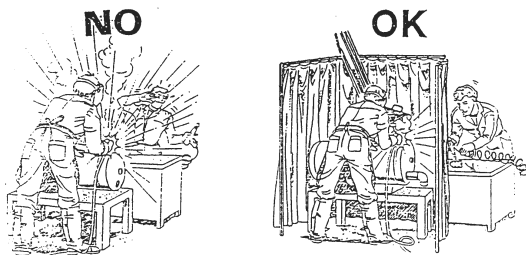
- Los operadores tienen que llevar un casco para soldador, no inflamable, que esté diseñado de forma tal que proteja el cuello y el rostro también por los costados. El casco tiene que estar equipado con lentes protectoras apropiadas al proceso de soldadura y a la corriente que se emplea. Es necesario mantener siempre limpios los cristales de protección y sustituirlos si están rotos o con alguna



rajadura (Fig. n° 2). Es aconsejable instalar siempre un cristal transparente entre el cristal no actínico y el área de soldadura. Hay que cambiar con frecuencia este cristal cuando las salpicaduras y las astillas reduzcan notablemente la visibilidad. Utilicen un respirador cuando trabajen con planchas revestidas que emiten humos tóxicos al calentarse.



- La operación de soldadura tiene que ser realizada en un ambiente aislado respecto a las otras zonas de trabajo, para proteger a los operadores de radiaciones y humos. Si esto no es posible, el área de soldadura tiene que estar delimitada con paneles de protección de color negro, suficientemente anchos como para restringir el campo visivo de las persona que están cerca de la zona (Fig. 3).



- Antes de soldar, quiten del lugar de trabajo todos los disolventes que contengan cloro. Algunos disolventes con cloro se descomponen cuando se los expone a radiaciones ultravioletas, formando así gas fosgeno.

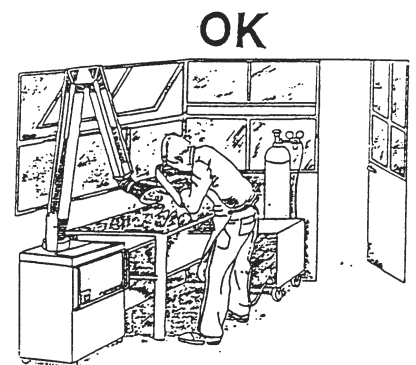
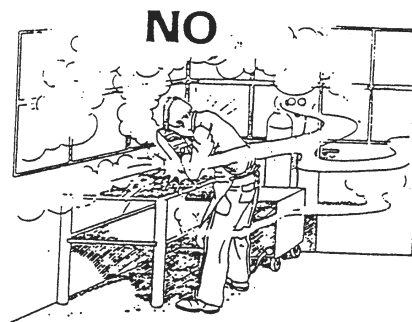
- No miren nunca, por ninguna razón, un arco voltaico sin una apropiada protección en los ojos (Fig. 4).



- Lleven siempre gafas de protección con cristales transparentes para evitar que las astillas u otras partículas extrañas puedan dañarles los ojos (Fig. 5).



- El área de soldadura tiene que ser equipada una adecuada aspiración local que puede ser por medio de campana extractora o de un sistema en el banco de trabajo para la aspiración lateral, frontal e inferior para evitar la formación de polvo y humo. Contemporaneamente a la aspiración local, es necesaria una adecuada aspiración general y recirculación de aire especialmente si están trabajando en un lugar estrecho (Fig. 6). Cualquier síntoma de irritación o dolor a los ojos, a la nariz o a la garganta puede ser causado por una ventilación poco adecuada; en este caso, no siguen trabajando y ventilen en manera adecuada el área.



- El procedimiento de soldadura tiene que ser realizado sobre superficies metálicas sin ningún vestigio de herrumbre o barniz, a fin de evitar que se generen humos dañinos. Antes de soldar, hay que secar bien las partes sobre las que se han usado solventes para desengrasar.

- No suelden metales o metales esmaltados que contengan zinc, plomo, cadmio o berilio, a menos que el operador y las personas cercanas lleven un respirador o un casco con bombona de oxígeno.

- La protección técnica y sanitaria de todos los operadores encargados -directa o indirectamente- del proceso de soldadura, está garantizada también por las disposiciones de ley, a fin de evitar los accidentes de trabajo.

2.3 INSTRUCCIONES PARA LA SEGURIDAD

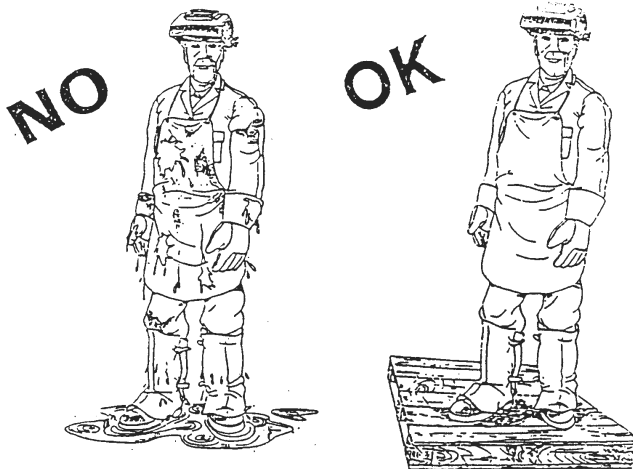
Para salvaguardar la propia seguridad personal, sigan atentamente estas instrucciones antes de conectar el generador a la línea:

- hay que colocar un interruptor adecuado de dos polos antes de la toma principal de corriente; esta última tiene que estar provista de fusibles retardados que tienen que responder a los valores indicados en el capítulo "Datos Técnicos";

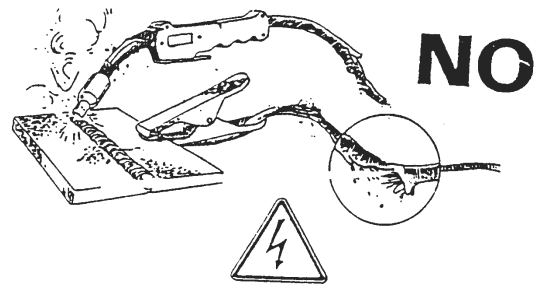
- la conexión monofásica con cable de tierra tiene que ser realizada con un enchufe bipolar compatible con la toma antes mencionada;

- los dos hilos del cable de alimentación de dos polos se emplean para la conexión con la línea monofásica mientras que el hilo amarillo-verde se usa para la conexión obligatoria a tierra en el lugar de la soldadura.

- conecten al terminal de tierra todas las partes metálicas que están cerca del operador, utilizando cables más gruesos o de la misma sección que los cables de soldadura.



- cuando trabajen en un lugar estrecho, el aparato tiene que estar colocado fuera del área de soldadura y el cable de tierra tiene que estar sujeto a la pieza que se está elaborando. No trabajen en una zona húmeda o mojada en estas condiciones (Fig. 7);



- no utilicen cables de alimentación o de soldadura que estén dañados (Fig. 8);

- el operador no tiene que tocar ni rozar nunca, con ninguna parte del cuerpo, las piezas de metal calentadas con alta temperatura o cargadas eléctricamente (Fig. 9);



- el operador no tiene que enrollar nunca los cables de soldar alrededor del propio cuerpo; - la antorcha de soldar no tiene que ser apuntada nunca contra el operador o contra otra persona. El aparato tiene una protección clase IP 22, por tanto:

- impide cualquier contacto manual con las partes interiores calientes o en movimiento;

- impide la introducción de cuerpos sólidos con un diámetro superior a 12 mm;

- protege contra las caídas verticales de agua (condensación) con inclinación máxima del 15%.

El generador no tiene que ser utilizado nunca sin sus paneles; esto podría causar graves lesiones al operador además de dañar al aparato mismo.

2.4 PREVENCIÓN ANTINCENDIO

El área de trabajo tiene que responder a las normas de seguridad, por consiguiente es necesario que haya extintores. Además el techo, el piso y las paredes tienen que ser antinflamables. Todo el material combustible tiene que ser transportado fuera del lugar de trabajo (Fig. 10). Si no se puede alejar el combustible, cúbralo con algún material resistente al fuego. Antes de comenzar a soldar, ventilen

los ambientes en los que existan zonas potencialmente inflamables. No trabajen en una atmósfera en la cual exista una notable concentración de polvo, gas inflamable o vapor líquido combustible. El generador tiene que estar colocado en un lugar en que el suelo sea sólido y liso; no tiene que estar apoyado a la pared. No suelden recipientes que hayan contenido gasolina, lubricante u otras sustancias inflamables. Después de haber terminado de soldar, asegúrense siempre de que no hayan quedado en la zona materiales incandescentes o llameantes.



2.5 GAS DE PROTECCIÓN

Para el proceso de soldadura utilicen el gas correcto. Asegúrense de que el regulador instalado en la bombona funcione correctamente. Acuérdense de ubicar la bombona lejos de las fuentes de calor.

2.6 NIVEL DE RUIDO PERMITIDO POR LA LEY 86/188/CEE.

Trabajando en condiciones normales, el equipamiento utilizado para la soldadura por arco no supera los 80 dBA. De todas formas, en condiciones particulares como por ejemplo con altos parámetros de soldadura en ambientes limitados, los niveles de ruido pueden exceder el límite permitido. Por esta razón, se recomienda vivamente proteger idóneamente los oídos.

2.7 COMPATIBILIDAD ELECTROMAGNÉTICA

Antes de instalar una unidad de soldadura STICK/TIG, efectúen una inspección del área observando lo siguiente:

1-Asegúrense de que no haya cerca de la unidad otros cables de generadores, líneas de control, cables telefónicos u otros aparatos.

2-Controlen que no haya receptores telefónicos o aparatos televisivos.

3-Cerciórense de que no haya ordenadores u otros sistemas de control.

4-En el área que rodea a la máquina no tiene que haber personas con marcapasos o con audífono.

5-Controlen la inmunidad de todos los instrumentos que trabajan en el mismo ambiente.

En casos particulares pueden ser necesarias medidas de protección adicionales.

Las interferencias pueden reducirse si se toman las siguientes medidas:

1-Si hay una interferencia en la línea del generador, se puede colocar un filtro E.M.C entre la red y la unidad.

2-Los cables de salida de la máquina deberían ser acortados, atados y alargados a tierra.

3-Después de terminar la manutención es necesario cerrar correctamente todos los paneles del generador.

2.8 ATENCIONES MÉDICAS Y PRIMEROS AUXILIOS

Todo lugar de trabajo tiene que estar equipado con un botiquín de primeros auxilios y tiene que contar con la presencia de una persona capacitada para prestar los cuidados de primeros auxilios a fin de poder socorrer en forma inmediata a las personas víctimas de un shock eléctrico. Además se tiene que disponer de todos los implementos necesarios para tratar las quemaduras de los ojos y de la piel.

PRIMEROS AUXILIOS:

Llamen enseguida a un médico y una ambulancia. Recurran a los cuidados de Primeros Auxilios recomendados por la Cruz Roja.

ATENCIÓN: EL SHOCK ELÉCTRICO PUEDE SER MORTAL.

Si la persona accidentada está inconsciente y se sospecha un shock eléctrico, no la toquen si ha quedado en contacto con algún mando.


Quiten la corriente eléctrica que alimenta la máquina y recurran a los cuidados de Primeros Auxilios. Para alejar los cables de la víctima se puede usar, si es necesario, un pedazo de madera bien seco o una escoba de madera o de otro material aislante.

3.0 INTRODUCCIÓN

Su equipo pertenece a una gama de inversoras para MMA (Manual Metal arc welding) - soldadura manual por arco eléctrico que adopta la tecnología de la modulación por ancho de pulsos (PWM=Pulse width modulation) y módulos de potencia con transistor bipolar de puerta aislada (IGBT=Insulated Gate Bipolar Transistor), que permiten óptimos rendimientos. Corriente de salida constante que hace el arco más estable y permite una regulación lineal de la corriente. Todos estos inversores tienen las siguientes protecciones automáticas: sobre tensión, baja tensión y sobre temperatura.

3.1 DATOS TECNICOS

NOTA: los datos aquí abajo pueden variar respecto a los datos técnicos escritos en la etiqueta técnica. Siempre refiérase a la etiqueta de datos del equipo.

		105 Amps	135 Amps	160 Amps
	(1 ph)	230V 50/60Hz	230V 50/60Hz	230V 50/60Hz
Power 60%	KVA	2	2,3	3,5
Uo	V	15	15	15
Amp. Min-Max	A ±10%	5 ÷ 105	5 ÷ 135	5 ÷ 160
Amp. 60974-1	A	25% 105 60% 65	25% 135 60% 85	25% 160 60% 105
Ø E	mm	1,6 ÷ 2,5	1,6 ÷ 3,25	1,6 ÷ 3,25
Insulation	-	H	H	H
Protec. Degree	-	IP22	IP22	IP22

4.0 INSTALACIÓN DEL APARATO

El montaje del inverter tiene que ser realizado por personal experto, siguiendo las instrucciones y respetando plenamente las normas en materia de prevención de los accidentes.

- Quitar la soldadora del embalaje de cartón.

Antes efectuar cualquier conexión eléctrica, controlen la chapa con los datos y asegúrense de que la tensión de entrada y la frecuencia sean las mismas que las de la red principal que se debe usar.

PUESTA A TIERRA

- Para la protección de los usuarios la soldadora tiene que ser puesta a tierra de acuerdo a los códigos internacionales de seguridad.

- es indispensable predisponer una correcta puesta a tierra a través del conductor amarillo-verde del cable de alimentación para evitar descargas debidas a contactos involuntarios con objetos puestos a tierra.

- El chasis, que es conductivo, está conectado eléctricamente con el conductor de tierra; la mala puesta a tierra del equipo puede causar golpes eléctricos peligrosos por el usuario.

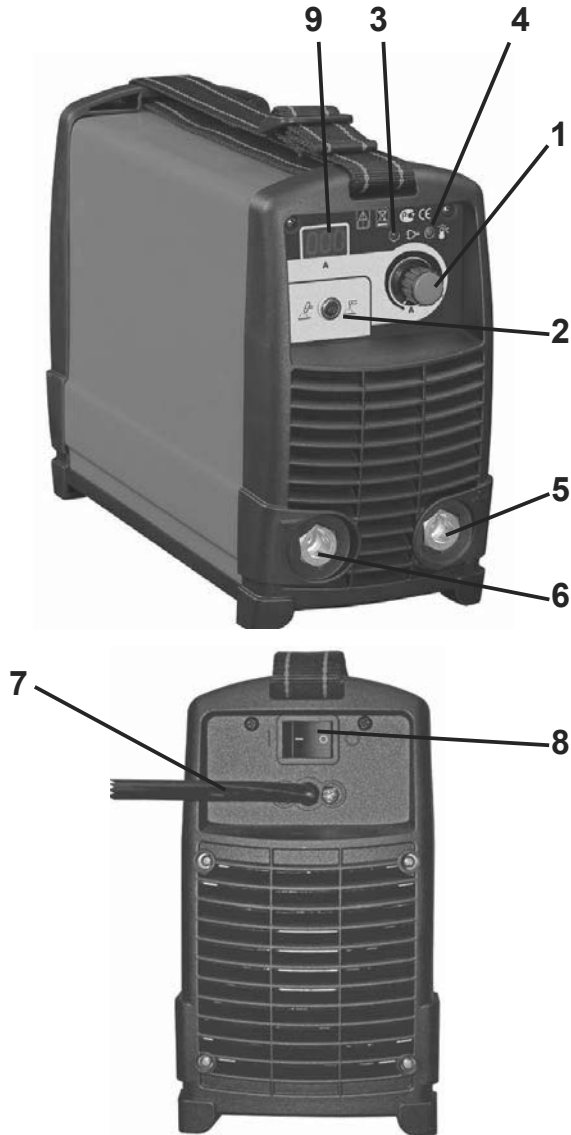
- Inserten el inverter en la red.

NO UTILIZAR EL EQUIPO CON PROLONGACIONES DE CABLE DE ALIMENTACION SUPERIORES A 10 METROS, O CON SECCIONES INFERIORES A 2,5 MM². RECORDAR TENER LOS CABLES RECTOS Y NO ENROLLADOS.

NO USEN LA SOLDADORA CON LOS PANELES LATERALES PARCIAL O COMPLETAMENTE AUSENTES A FIN DE EVITAR EL CONTACTO ACCIDENTAL CON LAS PARTES MÁS INTERNAS QUE ESTÁN CARGADAS.

- El inverter ahora está listo para ser utilizado. Asegúrense de que la zona en la que están soldando tenga una adecuada ventilación y que las tomas para el aire de la máquina no estén obstruidas (una escasa ventilación podría reducir el rendimiento de la máquina y causar daños). Ahora pueden elegir el proceso de soldadura conectando los accesorios como se explica en las páginas que siguen.

5.0 FUNCIONES Y CONEXIONES



1 Potenciómetro de regulación de la corriente de soldadura

2 Interruptor Stick / Tig (sólo en algunos modelos)

3 Led verde:

ON: la máquina está encendida

OFF: la máquina está parada.

Protección de sobre tensión: si interviene, apagar el equipo, esperar 20 segundos y encenderla de nuevo)

4 Led amarillo

- ON = Indica que ha intervenido la protección de sobre temperatura. Atención: Dejar la unidad enfriarse. Cuando será lista el led se apagará automáticamente.

- ON = Indica que ha intervenido la protección de sobre corriente. Apagar y encender el equipo nuevamente. En el caso de que la protección intervino por un pico de corriente, la máquina volverá a funcionar. En cambio, si la máquina no vuelve a funcionar normalmente, contactar el servicio técnico.

5 Toma dinse positiva

6 Toma dinse negativa

7 Cable de alimentación (parte posterior)

8 Interruptor ON/OFF (parte posterior)

9 Pantalla

6.0 SOLDADURA POR ARCO

Normas generales

El arco eléctrico puede ser descrito como una fuente de luz brillante y de calor intenso. En efecto, el flujo de corriente eléctrica en la atmósfera del gas que rodea el electrodo y la pieza que debe soldarse, provocan la emanación de ondas electromagnéticas que se perciben como una luz o una fuente de calor, según el largo de onda. A un nivel imperceptible, el arco produce también luz ultravioleta e infrarroja; los rayos ionizados no se perciben nunca. El calor producido por el arco se utiliza en el proceso de soldadura para fundir y unir partes de metal. La corriente eléctrica necesaria es suministrada por un equipo comúnmente llamado soldadora.

- Conecten el cable de tierra al polo negativo del inverter y la pinza de tierra a la pieza de soldadura.

- Conecten el cable de soldadura al polo positivo del inverter.

Seleccionen la corriente de soldadura utilizando el botón de control del panel frontal. La corriente de soldadura tiene que elegirse siguiendo las instrucciones suministradas por el productor de los electrodos y que figuran en el paquete de los mismos. Las indicaciones siguientes pueden ser útiles como informaciones generales :

DIAMETRO DEL ELECTRODO	CORRIENTE DE SOLDADURA
1,5 mm	30 A – 40 A
2,0 mm	50 A – 65 A
2,5 mm	70 A – 100 A
3,25 mm	100 A – 140 A
4,0 mm	140 A – 160 A

- Enciendan el inverter. Los dos leds del panel serán respectivamente:

el verde= encendido

el amarillo= apagado.

- Fijar la corriente de soldadura deseada, golpear el electrodo contra la pieza a soldar hasta que inicia el arco y comienza la soldadura.

- Protejan el rostro con una máscara o con un casco. Toquen la pieza que deben soldar con el electrodo inserto en la pinza portaelectrodo, hasta que se produzca la chispa de inicio del arco (el inverter tiene la función "HOT START" para mejorar el cebado). Procuren no dañar la pieza que deben soldar con el electrodo, porque podría liberar el revestimiento y aumentaría así la dificultad de cebado del arco.

Después del cebado del arco, mantengan el electrodo en la misma posición, en un ángulo de aproximadamente 60°, moviendo de izquierda a derecha podrán controlar visualmente la soldadura. El largo del arco puede ser controlado también levantando o bajando ligeramente el electrodo. Una variación del ángulo de soldadura, podría aumentar la medida del área de soldadura, mejorando la capacidad de cobertura de la escoria. Al final de la soldadura, dejen que se enfríe el residuo antes de quitarlo usando el cepillo con la puntera.

¡Atención!

- protejan sus ojos
- eviten daños cuando quitan el residuo con el cepillo y la puntera

CUIDADO!

Un malo encendido puede ser debito a una pieza sucia asi como puede depender de una mala connexcion de la masa o del electrodo con la pinza.

7.0 CALIDAD DE LA SOLDADURA

La calidad de la soldadura depende principalmente de la habilidad del soldador, del tipo de soldadura y de la calidad del electrodo. Antes de comenzar a soldar, elijan el modelo y el diámetro del electrodo más apropiados, teniendo en cuenta el espesor y la composición del metal que se debe soldar y la posición de la soldadura.

Corriente correcta de soldadura.

Si la intensidad de la corriente es demasiado alta, el electrodo se quemará rápidamente y la soldadura resultará muy irregular y difícil de controlar. Si, en cambio, la corriente es demasiado baja, perderán potencia y la soldadura resultará estrecha e irregular.

Largo correcto del arco.

Si el arco es demasiado largo, producirá rebabas o una pequeña fusión de la pieza que se está trabajando. Si, por el contrario, el arco es demasiado corto, su calor resultará insuficiente y, por consiguiente, el electrodo se pegará a la pieza.

Velocidad correcta de soldadura.

La correcta velocidad de soldadura permitirá obtener una soldadura con la amplitud más adecuada, sin ondas ni estrías.

8.0 SOLDADURA TIG

El proceso Tig utiliza el arco eléctrico que se establece entre el electrodo de tungsteno de la antorcha y la superficie de la pieza que se debe soldar.

En la soldadura Tig la antorcha está siempre conectada al polo negativo de la soldadura.

Preparación de la soldadora:

- Seleccionen soldadura Tig por medio del interruptor Stick/Tig
- Conecten el cable de tierra al polo positivo de la soldadora y la pinza de tierra a la pieza que se debe soldar.
- Conecten la antorcha tig al polo negativo de la soldadora y el tubo del gas al regulador de presión de la bombona de gas.

El flujo del gas se controla manualmente mediante el botón de la empuñadura de la antorcha. Utilicen sólo gas inerte (Argon).

- Enciendan el inverter.

9.0 SCRATCH ARC

- Asegúrense que el electrodo sobresalga de la boquilla por los menos 4-5mm asegurándose también que la punta sea a más o menos 40°-60° de la pieza.

- Regulen la corriente de soldadura, considerando el espesor del material que tienen que trabajar y el diámetro del electrodo de tungsteno.

- Abren la válvula del gas en la empuñadura de la torcha dejando salir el gas de la boquilla. Protejan el rostro con una máscara o con un casco. Pongan la torcha a más o menos 3-4mm de la pieza y con un ángulo de aproximadamente 45° así que la boquilla cerámica toque la superficie de la pieza (fig.b). Froten la punta del electrodo contra la pieza que tienen que trabajar, hasta que se ceba el arco, levanten rápidamente la torcha de la pieza

manteniendo una distancia de aproximadamente 3-4 mm y empiecen a soldar. Para terminar de soldar, levanten la torcha de la pieza.

RECUERDEN cerrar la válvula del gas cuando terminan de soldar.

Para evitar comprometer el correcto funcionamiento del generador, se aconseja utilizar la función SCRATCH ART (cebado a fricción) solamente por personal especializado.

NOTES:

a) La longitud del arco varía generalmente de 3 a 6mm en conformidad con el tipo de soldadura, tipo y espesor de material, etc..

b) La torcha tiene que proceder en la dirección de soldadura, sin movimientos laterales, manteniendo un ángulo de 45° con la pieza.

10.0 MANUTENCIÓN ORDINARIA

ATENCIÓN: Antes cualquier intervención de mantención desconecten la unidad de la red de alimentación.

La eficiencia de la unidad en el tiempo es directamente conectada a la frecuencia de las operaciones de mantención especialmente:

- Para las soldadoras es suficiente cuidar a su limpieza interior que tiene que ser hecha más frecuentemente cuanto más el área de trabajo es polvorosa.

- Quitar la cobertura

- Remueven los polvos en las parte internas del generador con aire comprimido con una presión inferior a 3 Kg. /cm.

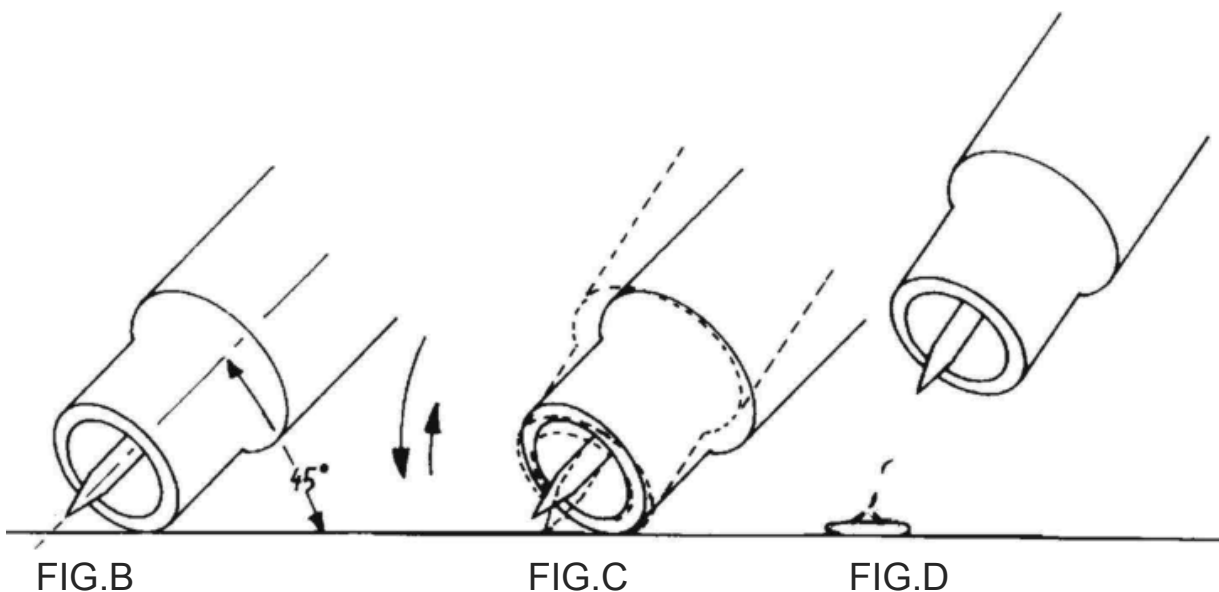
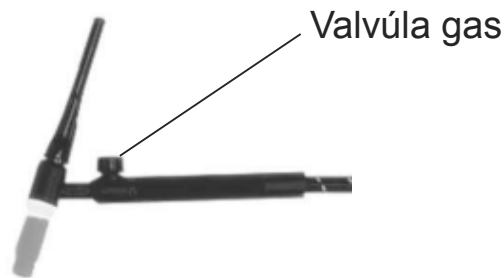
- Controlen todas las conexiones eléctricas y asegúrense que los tornillos y las turcas sean bien cerrados.

- Reemplacen los componentes deteriorados sin hesitación.

- Monten nuevamente la cobertura

Terminadas las operaciones antedichas la unidad es lista para trabajar nuevamente según las instrucciones de este manual.

FIG.A



11.0 POSIBLES DEFECTOS DE SOLDADURA

DEFECTO	CAUSAS	SUGERENCIAS
POROSIDAD	Electrodo ácido en acero con alto contenido de azufre. Oscilación excesiva de las piezas. Distancia excesiva entre las piezas. Pieza fría.	Utilicen electrodos básicos. Acerquen los bordes de las piezas. Al comienzo proceder lento. Disminuir la corriente de soldadura.
HENDIDURAS	Material sucio (p.e. aceite, pintura, herrumbre, óxidos). Corriente insuficiente.	La limpieza de la pieza antes la soldadura es fundamental para obtener una buena calidad.
ESCASA PENETRACIÓN	Corriente demasiado baja. Velocidad de soldadura demasiado elevada. Polaridad invertida. Electrodo inclinado en posición contraria a su movimiento.	Asegúrense que los parámetros operativos sean correctos y mejoren la preparación de la pieza.
ROCÍOS EXCESIVOS	Electrodo demasiado inclinado.	Hagan las correcciones apropiadas.
DEFECTOS DE LOS PERFILES	Parámetros de soldadura incorrectos. Velocidad de desplazamiento del electrodo inapropiada para las exigencias de los parámetros operativos.	Siguen los principios fundamentales y generales de soldadura.
ARCO INESTABLE	Corriente insuficiente.	Controlen el electrodo y la conexión del cable de masa.
FUSION DEL ELECTRODO OBLICUA	Electrodo con alma descentrada. Fenómeno del soplo magnético.	Reemplacen el electrodo Conecten dos cables de masa a los lados opuestos de la pieza.

12.0 POSIBLES INCONVENIENTES DE FUNCIONAMIENTO

PROBLEMA	CAUSAS	CONTROL / SOLUCIÓN
LA UNIDAD NO SE ENCIENDE	Conexión primaria incorrecta. Circuito invertido defectuoso	Controlen la conexión primaria. Diríjase al servicio de asistencia.
FALTA DE TENSIÓN EN SALIDA	Unidad recalentada (Led color amarillo encendido) Límites de sobretensión excedidos, led verde apagado. Intervención la protección de sobre corriente. (Led amarillo encendido) Relé interno defectuoso. Circuito invertido defectuoso	Esperen que la unidad se enfríe y que vuelva a funcionar. Controlen la red de distribución. Apaguen la unidad, esperen 20 segundos y la pongan nuevamente en marcha. Apaguen y enciendan el equipo nuevamente. En el caso de que la protección intervino por un pico de corriente, la máquina volverá a funcionar. En cambio, si la máquina no vuelve a funcionar normalmente, contacten el servicio técnico. Contacten el servicio técnico.
CORRIENTE EN SALIDA INCORRECTA	Potenciómetro de regulación defectuoso. Tensión de alimentación primaria demasiado baja.	Contacten el servicio técnico. Controlen la red de distribución.

IMPORTANT

LIRE ATTENTIVEMENT LES INSTRUCTIONS AVANT D'INSTALLER L'APPAREIL. S'ASSURER QUE LE CONDUCTEUR DE MISE À TERRE JAUNE ET VERT SOIT DIRECTEMENT BRANCHÉ À LA TERRE À L'ENDROIT DE SOUDURE.

L'APPAREIL NE DOIT JAMAIS ÊTRE UTILISÉ SANS LES PANNEAUX, DANS LA MESURE OU CELA POURRAIT ÊTRE DANGEREUX POUR L'OPÉRATEUR ET PROVOQUER DES DÉGÂTS GRAVES SUR L'ÉQUIPEMENT.

L'UNITÉ TRAVAILLE SEULEMENT AVEC UNE TENSION D'ALIMENTATION DE 230Vac-50Hz-1Ph

MÊME QUAND L'INTERRUPTEUR EST SUR LA POSITION "0", IL Y A DE LA TENSION DANS LE CÂBLE D'ALIMENTATION. DONC AVANT DE RÉPARER L'APPAREIL, S'ASSURER QUE LA FICHE À DEUX PÔLES NE SOIT PAS BRANCHÉE SUR LA PRISE DE COURANT.

CES GÉNÉRATEURS PEUVENT ÊTRE UTILISÉS EXCLUSIVEMENT AVEC DES GROUPES ÉLECTROGÈNES À DIESEL D'UNE PUISSANCE SUPÉRIEURE À 7 KVA À 220V 50HZ. (except for units supplied at 110V)

1.0 INTRODUCTION

1.1 TYPE DE GÉNÉRATEUR DE SOUDAGE

Les données d'identification du générateur ainsi que son numéro de série apparaissent toujours sur la plaquette de données sur le panneau postérieur. Les torches et les câbles sont identifiés par les spécifications ou par le numéro de série imprimés sur leur propre emballage. Veuillez prendre note de ces numéros pour toute éventuelle référence.

1.2 RÉCEPTION DE LA SOURCE DE SOUDAGE

Lors de la réception de l'équipement, faire les comparaisons nécessaires avec la facture pour s'assurer que tout corresponde bien, puis l'examiner attentivement pour déterminer d'éventuels dégâts causés par le transport. Tous les appareils expédiés ont été soumis à

un contrôle de qualité rigoureux. Cependant, si votre appareil ne fonctionne pas correctement, veuillez consulter la section RECHERCHE DE PANNES de ce mode d'emploi. Si le défaut persiste, consultez votre revendeur.

2.0 PRÉCAUTIONS DE SÉCURITÉ

2.1 RECOMMANDATIONS GÉNÉRALES

Ce mode d'emploi contient toutes les instructions nécessaires pour :

- l'installation de la source de soudage;
- une utilisation correcte;
- une manutention adaptée.

Veuillez vous assurer que ce mode d'emploi est lu et compris aussi bien par l'opérateur que par le personnel technique chargé de la manutention.

2.2 LIEU D'UTILISATION

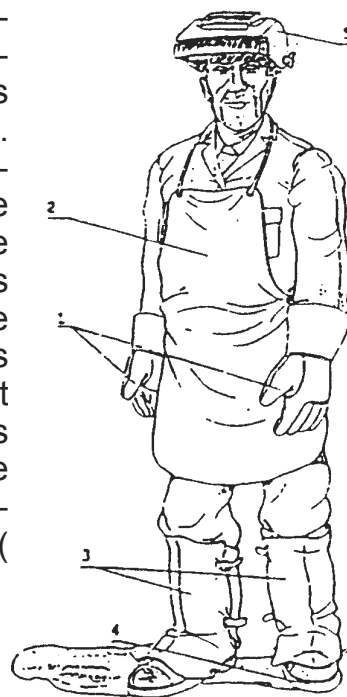
Si les normes de sécurité et d'utilisation ne sont pas scrupuleusement observées, les opérations de soudage peuvent se révéler dangereuses, non seulement pour l'opérateur, mais aussi pour les personnes qui se trouvent aux alentours du lieu de soudage.

Par conséquent, le propriétaire et l'utilisateur doivent connaître tous les risques possibles, de façon à pouvoir prendre les précautions nécessaires pour éviter des accidents de travail. Les principales précautions à observer sont:

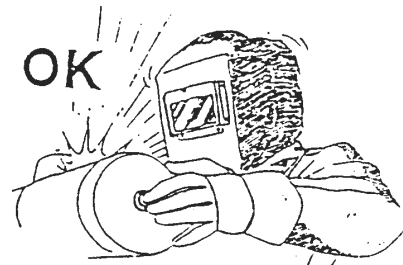
- Les opérateurs doivent protéger leur corps en portant des combinaisons de protection fermées et non-inflammables, sans poches ni revers. Les éventuelles traces d'huile ou de graisse doivent être enlevées de tous les vêtements avant de les endosser. Les opérateurs doivent aussi chausser des bottes avec la pointe en acier et la semelle en caoutchouc (Fig. 1).

1. Gants en cuir
2. Tablier en cuir
3. Surchaussures
4. Chaussures de Sécurité
5. Masque

- Les opérateurs doivent porter un casque ou un masque de soudeur, non-inflammable,



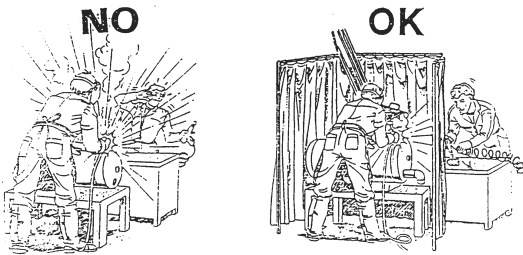
conçu de façon à protéger le cou et le visage, même sur les côtés. Le casque ou le masque doivent être dotés de verres protecteurs obscurs et appropriés au procédé de soudage et au courant utilisé. Il faut toujours garantir la propreté des verres de protections, et les remplacer s'ils sont cassés ou fissurés (Fig.2). Il est recommandé d'installer un verre transparent entre le verre inactinique et la zone de soudage. Remplacer périodiquement ce verre dès que des giclées ou des éclats en réduisent notablement la visibilité. Utiliser un respirateur quand il s'agit de travailler sur des plaques enrobées produisant des fumées toxiques lorsqu'elles sont chauffées.



- Toujours porter des lunettes de protection avec des verres transparents pour éviter les éclats et autres particules étrangères pouvant endommager les yeux (Fig.5).



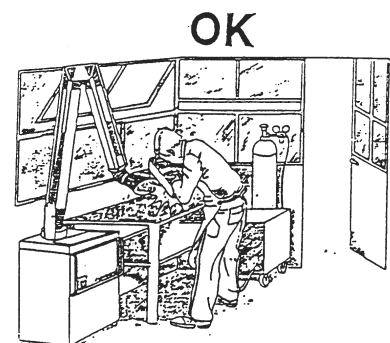
- Réaliser l'opération de soudage dans un milieu isolé par rapport aux autres zones de travail, afin de protéger les opérateurs contre les radiations et la fumée. Si ce n'est pas possible, délimiter l'aire de soudage avec des panneaux de protection de couleur noire suffisamment larges pour limiter le domaine visible des personnes des alentours de la zone. (Fig.3).



- L'aire de soudage doit être équipée d'un système d'aspiration local adéquat, au moyen d'une hotte d'aspiration ou d'un système préconstruit sur l'établi de travail, aspirant par les côtés, par-devant et par en dessous mais pas au-dessus de l'établi pour éviter que poussières et fumées ne se forment. L'aspiration locale doit être associée à une bonne ventilation générale et au renouvellement de l'air, surtout lorsque l'on travaille dans un espace restreint (Fig.6). Un quelconque symptôme de gêne ou de douleur aux yeux, au nez ou à la gorge peut être provoqué par une ventilation inadaptée ; dans ce cas, interrompre immédiatement le travail et pourvoir à une ventilation opportune de la zone.

- Avant de souder, éloigner du lieu de travail tous les solvants qui contiennent du chlore. Certains solvants de chlorure se décomposent une fois exposés à des radiations ultraviolettes, formant alors un gaz phosgène.

- Ne regardez jamais, sous aucun prétexte, un arc voltaïque sans la protection adéquate pour les yeux (Fig.4).



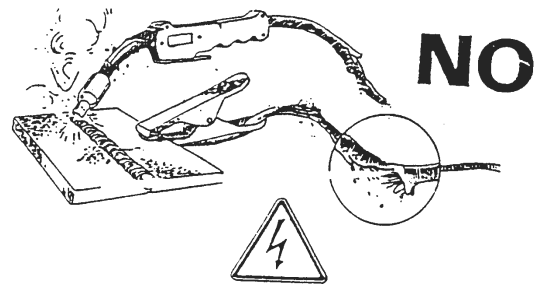
- Accomplir le procédé de soudage sur des superficies métalliques dégagées de couches de rouille ou de peinture, afin d'éviter la formation de fumée nocive. Avant de souder, sécher les parties qui ont été dégraissées avec des solvants.
- Ne pas souder de métaux ou de métaux vernis qui contiennent du zinc, du plomb, du cadmium ou du béryllium, à moins que l'opérateur et les personnes aux alentours ne portent un respirateur ou un casque avec une bouteille d'oxygène.
- *La protection technique et sanitaire de tous les opérateurs chargés du soudage – concernés aussi bien directement qu'indirectement par le procédé – est aussi garantie par les dispositions légales afin d'éviter les accidents du travail.*

2.3 RECOMMANDATIONS POUR LA SÉCURITÉ

Pour garantir votre sécurité, suivre attentivement ces instructions avant de brancher le générateur à la ligne:

- insérer un interrupteur à deux pôles approprié avant de mettre la prise principale de courant; celle-ci doit être dotée de fusibles retardés devant être conformes aux valeurs indiquées au chapitre "Données Techniques";
- réaliser le branchement monophasé avec câble de terre avec une fiche à deux pôles compatible avec la prise susmentionnée ;
- Les deux fils du câble d'alimentation à deux pôles sont employés pour le branchement avec la ligne monophasée tandis que le fil jaune-vert est utilisé pour le branchement obligatoire à terre dans le lieu de soudage;
- Connecter au terminal de terre toutes les parties métalliques qui sont à proximité de l'opérateur, au moyen de câbles plus gros ou de la même section que les câbles de soudage;

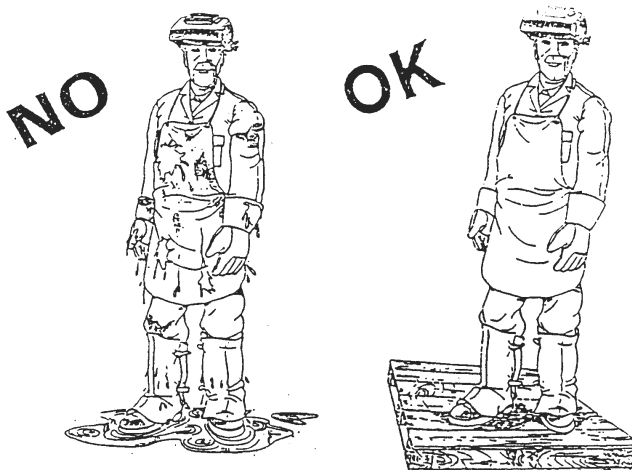
- Quand le travail se fait dans un lieu étroit, l'appareil doit être placé hors de l'aire de soudage et le câble de masse fixé à la pièce travaillée. Ne pas travailler dans un endroit humide ou mouillé dans ces conditions (Fig.7);
- non utilizzate cavi di alimentazione o di saldatura danneggiati (Fig.8);



- l'opérateur ne doit jamais toucher, avec aucune partie de son corps, des pièces de métal chauffées à une température élevée ou chargées électriquement (Fig.9);



- L'opérateur ne doit jamais enrouler les câbles de soudage autour de son propre corps;
- La torche de soudage ne doit jamais être dirigée vers l'opérateur ou vers une autre personne. L'appareil a une protection de classe IP 22, donc empêche:
 - tout contact manuel avec des éléments internes chauds ou en mouvement;
 - l'insertion de corps solides avec un diamètre supérieur à 12mm;
 - une protection contre les chutes verticales d'eau (condensation) avec un max d'inclinaison de 15°.
- Ne jamais utiliser le générateur sans ses panneaux; cela pourrait causer de graves lésions à l'opérateur outre des dégâts à l'appareil.



2.4 PRÉVENTION D'INCENDIE

L'aire de travail doit être conforme aux normes de sécurité, il doit donc y avoir des extincteurs. Le plafond, le sol et les parois doivent être non-inflammables. Enlever tout matériau combustible du lieu de travail (Fig.10). Si ce n'est pas possible, éloigner le combustible et le couvrir avec une couverture résistante au feu. Avant de commencer à souder, ventiler les endroits où l'air est potentiellement in-

flammable. Ne pas travailler dans une atmosphère ayant une concentration importante de poudres, gaz inflammables ou vapeur liquide combustible. Placer le générateur dans un endroit avec un sol solide et lisse ; il ne doit pas être appuyé contre le mur. Ne pas souder de récipients ayant contenu de l'essence, du lubrifiant ou d'autres substances inflammables. Une fois la soudure terminée, toujours s'assurer qu'aucun matériau incandescent ou enflammé ne soit resté dans la zone.



2.5 GAZ DE PROTECTION

Pour le procédé de soudage, utiliser le gaz correct. S'assurer du bon fonctionnement du régulateur installé sur la bouteille. Conserver la bouteille loin des sources de chaleur.

2.6 NIVEAU D'ÉMISSIONS SONORES AUTORISÉES PAR LA LOI 86/188/EEC

En travaillant dans des conditions normales, l'appareil utilisé pour la soudure en arc ne dépasse pas les 80 dBA. Cependant, dans des situations particulières, par exemple avec des paramètres de soudage élevés dans des milieux limités, le niveau de bruit peut excéder la limite autorisée. C'est pourquoi, il est fortement recommandé de porter des protections pour les oreilles prévues à cet effet.

2.7 COMPATIBILITÉ ÉLECTROMAGNÉTIQUE

Avant d'installer une unité de soudage STICK/TIG, inspecter l'aire environnante, tout en observant ce qui suit:

- 1 – S'assurer qu'à proximité de l'unité il n'y ait pas d'autres câbles de générateurs, lignes de contrôle, câbles téléphoniques ou appareils variés.
- 2- Contrôler qu'il n'y ait pas de récepteurs téléphoniques ou postes de télévisions.
- 3- S'assurer qu'il n'y ait pas d'ordinateurs ou d'autres systèmes de contrôle.

4- Les alentours de la machine sont interdits aux personnes portant un pacemaker

ou des prothèses auditives.

5- Contrôler l'immunité de chaque instrument travaillant dans le même environnement. Selon les cas particuliers, des mesures de protection supplémentaires peuvent être requises.

Il est possible de réduire les interférences en appliquant ces précautions:

- 1- En cas d'interférence sur la ligne du générateur, insérer un filtre E.M.C entre le réseau et l'unité.
- 2- Les câbles de sortie de la machine devraient être raccourcis, mis ensemble et allongés à terre.
- 3- une fois la manutention terminée, bien fermer tous les panneaux du générateur.

2.8 PREMIERS SOINS DE SECOURS

Chaque lieu de travail doit être doté d'une trousse de premiers soins et compter une personne qualifiée dans les premiers soins de secours pour une aide immédiate aux personnes victimes de décharge électrique. En outre, tous les traitements pour soigner les brûlures des yeux ou de la peau doivent être disponibles.

PREMIERS SOINS:

Appeler immédiatement un médecin et une ambulance. Avoir recours aux pratiques de secours d'urgence recommandées par la Croix Rouge.

ATTENTION: LA DÉCHARGE ÉLECTRIQUE PEUT ÊTRE MORTELLE

Si la personne est inconsciente, et qu'il pourrait s'agir d'une décharge électrique, ne pas la toucher si elle est en contact avec les commandes.


Couper le courant sur la machine et recourir aux pratiques de premiers soins. Pour éloigner les câbles de la victime, utiliser si nécessaire du bois sec et un balai en bois ou dans un autre matériau isolant.

3.0 CARACTÉRISTIQUES GÉNÉRALES

Votre soudeuse appartient à une gamme d'onduleurs de soudage pour le MMA - Manual Metal Arc Welding qui adopte les dernières technologies de modulation de largeur des impulsions (PWM) et modules de puissance avec transistor bipolaire à grille isolée (IGBT) pour garantir des performances optimales: la sortie de courant constant pour rendre l'arc de soudage plus stable et régulation linéale de la courant. Tous les onduleurs sont équipés de fonctions de protection automatique: contre les surtensions, les sur courants et les surchauffes.

3.1 DONNÉES TECHNIQUES

REMARQUE: les données ci-dessous peuvent différer des données sur la table technique sur l'appareil. Toujours se référer à la table de données techniques sur l'appareil.

		105 Amps	135 Amps	160 Amps
	(1 ph)	230V 50/60Hz	230V 50/60Hz	230V 50/60Hz
Power 60%	KVA	2	2,3	3,5
U ₀	V	15	15	15
Amp. Min-Max	A ±10%	5 ÷ 105	5 ÷ 135	5 ÷ 160
Amp. 60974-1	A	25% 105 60% 65	25% 135 60% 85	25% 160 60% 105
Ø E	mm	1,6 ÷ 2,5	1,6 ÷ 3,25	1,6 ÷ 3,25
Insulation	-	H	H	H
Protec. Degree	-	IP22	IP22	IP22

4.0 INSTALLATION DE L'APPAREIL

Le bon fonctionnement du générateur est garanti par une installation appropriée que seul un personnel expert peut réaliser, en suivant les instructions et dans le respect complet des normes de prévention des accidents.

– Enlever la soudeuse du carton.

AVANT D'EFFECTUER TOUT BRANCHEMENT ÉLECTRIQUE, CONTRÔLER LA PLAQUETTE DE DONNÉES ET S'ASSURER QUE LA TENSION EN ENTRÉE AINSI QUE LA FRÉQUENCE SOIENT LES MÊMES QUE CELLES DU RÉSEAU PRINCIPAL EMPLOYÉ.

MISE À TERRE

Pour la protection des utilisateurs, la soudeuse devra être absolument reliée à l'installation de terre (NORMATIVES INTERNATIONALES DE SÉCURITÉ)

Il est indispensable de prédisposer une bonne mise à terre au moyen du conducteur jaune-vert du câble d'alimentation, afin d'éviter des décharges dues à des contacts accidentels avec des objets mis à terre. Le châssis, qui est conducteur, est relié électriquement au conducteur de terre; ne pas brancher l'appareil à terre correctement peut provoquer des chocs électriques dangereux pour l'utilisateur.

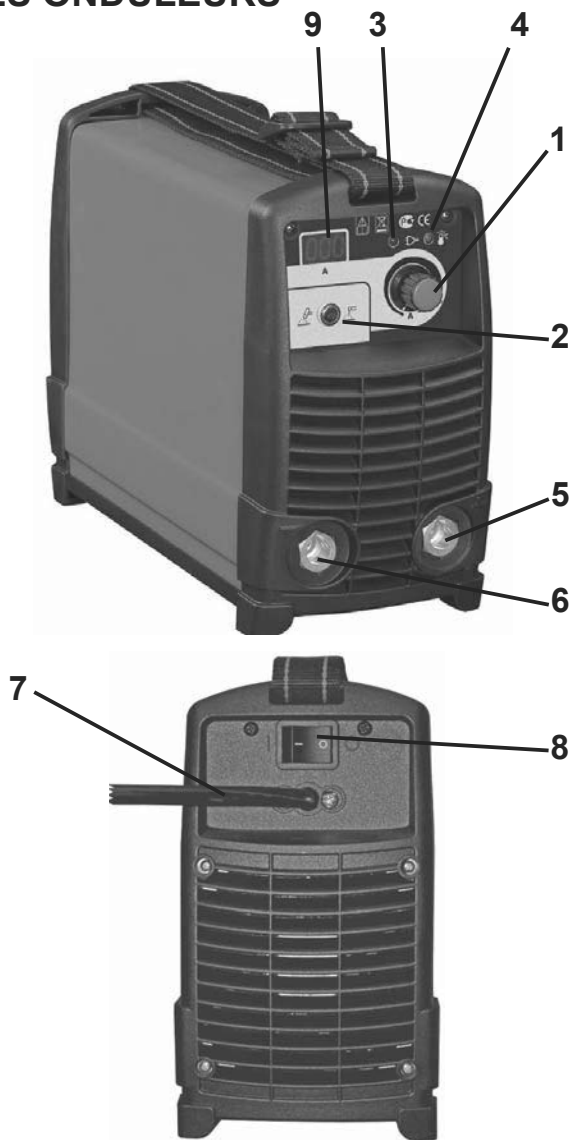
- Brancher l'inverter au réseau.

NE PAS UTILISER L'INVERTER AVEC DES RALLONGES DE CÂBLES D'ALIMENTATION QUI DÉPASSENT LES 10m OU AYANT UNE SECTION INFÉRIEURE À 2.5 mm². GARDER LES CÂBLES BIEN ÉTENDUS ET DE NE PAS LES LAISSER ENROULÉS OU EMMÊLÉS.

NE PAS UTILISER LA SOUDEUSE SI LES PANNEAUX LATÉRAUX SONT ENLEVÉS, PARTIELLEMENT OU COMPLÈTEMENT, AFIN D'ÉVITER LE CONTACT ACCIDENTEL AVEC DES PARTIES INTERNES QUI SONT CHARGÉES.

- L'inverter est alors prêt à l'emploi. S'assurer de souder dans une zone opportunément ventilée et vérifier que les prises d'air de la machine ne sont pas obstruées (une mauvaise ventilation pourrait réduire le rendement de la machine et causer des dégâts). Il est maintenant possible de sélectionner le procédé de soudage en branchant les accessoires comme l'indiquent les pages suivantes.

5.0 FONCTIONS ET CONNEXIONS DES ONDULEURS



- 5 prise dinse positive
- 6 prise dinse negative
- 7 Câble d'alimentation (postérieur)
- 8 Interrupteur Marche/arrêt (postérieur)
- 9 Visuel

6.0 SOUDAGE À L'ARC

Normes générales

L'arc électrique peut être décrit comme une source de lumière brillante et de chaleur intense. En effet, le flux de courant électrique dans l'atmosphère du gaz autour de l'électrode et de la pièce à souder provoque l'émanation d'ondes électromagnétiques qui sont perçues comme une lumière ou une source de chaleur, en fonction de la longueur d'onde. À un niveau imperceptible l'arc produit aussi une lumière ultraviolette et infrarouge; les rayons ionisés ne sont jamais perçus. La chaleur produite par l'arc est utilisée dans le procédé de soudage pour fondre et assembler des éléments de métal. Le courant électrique nécessaire est fourni par un appareil communément appelé soudeuse.

- Brancher le câble de masse au pôle négatif de l'inverter et la pince de masse à la pièce de soudage.
- Brancher le câble de soudage au pôle positif de l'inverter.
- Sélectionner le courant de soudage en utilisant la manette de contrôle sur le panneau frontal. Le courant de soudage doit être choisi en suivant les instructions fournies par le producteur des électrodes et inscrites sur le paquet qui les contient. Les indications suivantes peuvent être utiles comme informations générales:

DIAMETRE DE L'ELECTRODE	COURANT DE SOUDAGE
1.5 mm	30A - 40A
2.0 mm	50A - 65A
2.5 mm	70A - 100A
3.25 mm	100A - 140A
4.0 mm	140A - 160A

- Allumer l'inverter. Les deux leds sur le panneau seront respectivement:
vert = allumée, jaune = éteint (pour plus de détails se référer à la page précédente).

1 Potentiomètre de régulation du courant de soudage

2 Interrupteur Stick / Tig (seulement pour des modèles)

3 Led vert de réseau

Led ON = générateur allumé

Led OFF = générateur éteint

Intervention de la protection sous-tension (restaurer l'unité en l'éteignant, attendre 20 secondes puis la rallumer)

4 Led jaune

Led ON = indique une alarme pour température excessive.

Attention: attendre le refroidissement de l'unité, le led orange s'éteindra automatiquement dès qu'elle est prête.

Led ON = sur-courant. Indique l'état d'alarme en raison de sur-courant. Éteindre l'appareil, puis le tourner. Dans le cas d'intervention de la protection en raison d'un pic de courant l'unité reviendra à travailler, si pas le cas, s'il vous plaît contacter le centre de services.

- Pour les modèles qui le prévoient sélectionner la soudure à l'arc.

- Se protéger la vue avec un écran ou casque de soudure. Toucher la pièce à souder jusqu'à l'allumage de l'arc (éventuellement frotter l'électrode sur la pièce à souder comme une allumette). La fonction " hot Start " d'un inverter facilite cet allumage.

Eviter de briser le revêtement de l'électrode, ce qui rend l'allumage plus difficile.

- Après l'allumage tenir l'électrode à un angle de 60° par rapport à la pièce à souder et effectuer un mouvement de gauche à droite (droitiers). La longueur de l'arc peut être contrôlée en éloignant ou rapprochant l'électrode de la pièce à souder.

Une variation de l'angle de soudure élargira le bain et permettra un meilleur contrôle

- À la fin de le soudage, laisser refroidir le résidu avant de l'enlever en utilisant la brosse avec l'embout.

Attention:

-Protéger les yeux

-Éviter tout dégât au moment d'enlever le résidu avec la brosse et l'embout.

ATTENTION!

Un mauvais départ peut être provoqué par un matériau à souder qui serait sale, par un mauvais branchement entre le câble de masse et la pièce à souder, ou par une fixation incorrecte de l'électrode dans la pince porte-électrode.

7.0 QUALITÉ DE LA SOUDURE

La qualité de la soudure dépend principalement de l'habileté du soudeur, du type de soudage et de la qualité de l'électrode. Avant de commencer à souder, sélectionner le modèle et le diamètre de l'électrode les plus adaptés, en faisant attention à l'épaisseur et à la composition du métal à souder et à la position de la soudure.

Bon courant de soudage.

Si l'intensité de courant est trop élevée, l'électrode brûlera rapidement, tandis que la soudure se révélera très irrégulière et difficile à contrôler. Par contre, si le courant est trop bas, la puissance se perdra et la soudure résultera étroite et irrégulière.

Bonne longueur de l'arc.

Si l'arc est trop long, il provoquera des bavures et une petite fusion de la pièce travaillée. Par contre, si l'arc est trop court, sa chaleur se révélera insuffisante et par conséquent l'électrode s'attachera à la pièce travaillée.

Bonne vitesse de soudage.

Une vitesse correcte de soudage permettra d'obtenir une soudure d'amplitude adaptée, sans vagues ni rainures.

8.0 SOUDAGE TIG

Le procédé à tig utilise l'arc électrique amorcé entre l'électrode à tungstène de la torche et la surface de la pièce à souder.

Dans le soudage tig, la torche est toujours reliée au pôle négatif de la soudeuse.

Préparation de la soudeuse :

- Relier le câble de masse au pôle positif de la soudeuse et la pince de masse à la pièce à souder.

- Relier la torche tig au pôle négatif de la soudeuse et le tube de gaz au régulateur de pression de la bouteille de gaz.

Le flux de gaz est contrôlé manuellement au moyen de la manette sur la poignée de la torche. N'utiliser que du gaz inerte (Argon).

- Allumer l'inverter.

9.0 SOUDAGE TIG AVEC DÉMARRAGE PAR FROTTEMENT

- S'assurer que l'électrode dépasse de l'éjecteur d'au moins 4-5mm, et s'assurer aussi que sa pointe soit environ à 40°-60° de la pièce.

- Régler le courant de soudage en considérant l'épaisseur du matériau à souder et le diamètre de l'électrode tungstène à utiliser.

- Ouvrir la vanne de gaz sur la poignée de la torche, en laissant sortir le gaz de l'éjecteur. Se couvrir le visage avec le masque de protection, amener la torche à 3-4mm de la pièce et à un angle d'environ 45°, de façon à ce que l'éjecteur céramique touche la surface de la pièce (fig.b). Frotter la pointe de l'électrode jusqu'à ce que l'arc se développe, s'éloigner immédiatement et maintenir une distance d'environ 3-4mm en procédant avec le soudage. Pour terminer le soudage,

soulever la torche de la pièce à souder. SE RAPPELER de fermer la vanne de gaz une fois le soudage terminé.

Pour éviter de compromettre le bon fonctionnement du générateur, il est recommandé que seul un personnel expert utilise le départ en Scratch Arc

NOTE:

a) La longueur de l'arc varie généralement de 3 à 6mm en fonction du type de joint, type et épaisseur du matériau etc.

b) La torche doit avancer dans la direction de la soudure, sans mouvements latéraux, en gardant un angle de 45° avec la pièce à souder.

10.0 MANUTENTION ORDINAIRE

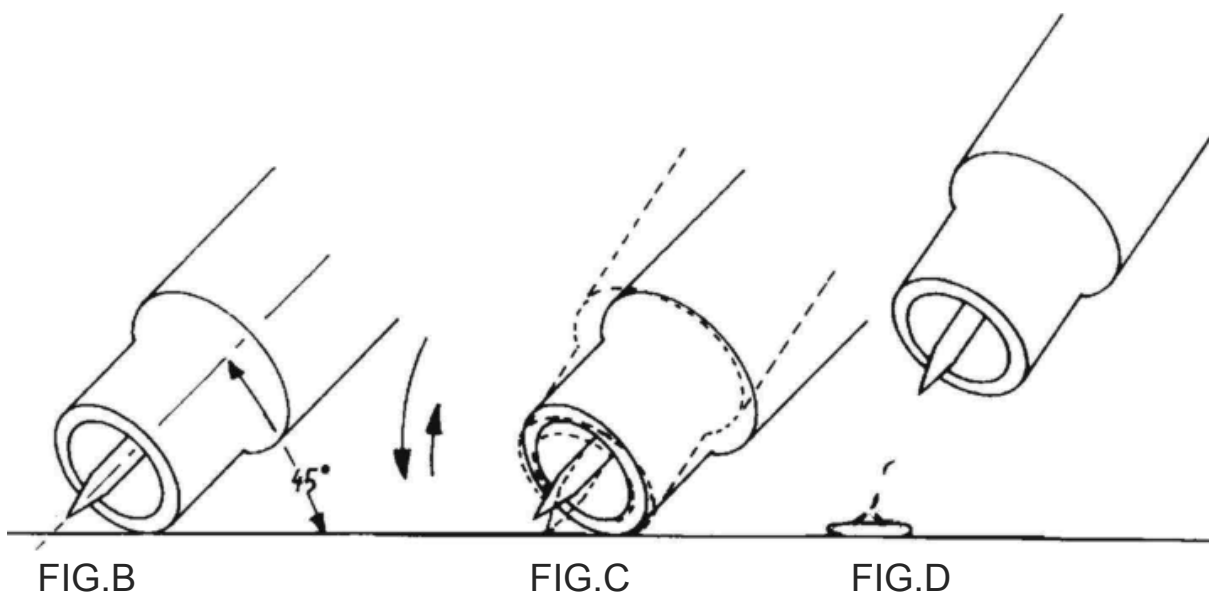
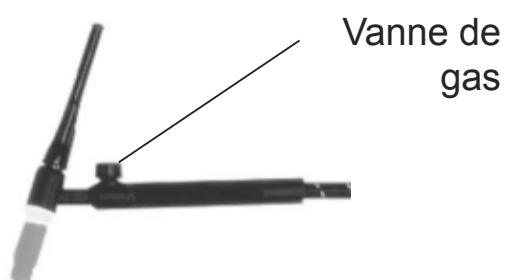
ATTENTION!!!

AVANT TOUTE INTERVENTION, DÉBRANCHER LA MACHINE DU RÉSEAU PRIMAIRE D'ALIMENTATION.

L'efficacité de l'installation de soudage dans le temps est directement liée à la fréquence des opérations de manutention, en particulier pour les soudeuses, il suffit de pourvoir au nettoyage interne, qu'il convient de faire d'autant plus souvent que le milieu de travail est poussiéreux.

- Enlever la couverture de protection.
- Enlever toute trace de poussière sur les parties internes du générateur au moyen d'un jet d'air comprimé avec une pression qui ne dépasse pas les 3 KG/cm.
- Contrôler toutes les connexions électriques, en s'assurant que les vis et les écrous soient bien serrés.
- Ne pas hésiter à remplacer les composants endommagés.
- Remonter la couverture de protection.
- Une fois terminées les opérations susmentionnées, le générateur est prêt à être remis en service en suivant les instructions reportées dans ce mode d'emploi.

FIG.A



11.0 DÉFAUTS DE SOUDAGE POSSIBLES

DÉFAUT	CAUSE	SOLUTION
POROSITÉ	Électrode acide sur acier à haute teneur en soufre. Oscillations excessives de l'électrode. Distance excessive entre les pièces à souder. Pièce froide en soudage.	Utiliser une électrode basique. Rapprocher les bords à souder. Avancer lentement au début. Diminuer le courant de soudage.
FÊLURE	Matériau à souder sale (ex. huile, peinture, rouille, oxydes). Courant insuffisant.	Nettoyer la pièce avant de souder est un principe fondamental pour obtenir de bons cordons de soudage.
MAUVAISE PÉNÉTRATION	Courant faible. Vitesse de soudage élevée. Polarité inversée. Électrode inclinée en position opposée à son mouvement.	Soigner le réglage des paramètres d'opération et améliorer la préparation de la pièce à souder.
GICLÉES ÉLEVÉES	Inclinaison excessive de l'électrode.	Effectuer les corrections opportunes.
DÉFAUTS DE PROFILS	Paramètres de soudage incorrects. Vitesse passée non liée aux exigences des paramètres d'opération.	Respecter les principes de base et généraux de soudage.
INSTABILITÉ DE L'ARC	Courant insuffisant.	Contrôler l'état de l'électrode et le branchement du câble de masse.
FUSION OBLIQUE DE L'ÉLECTRODE	Électrode avec noyau non centré. Phénomène de souffle magnétique.	Remplacer l'électrode. Brancher deux câbles de masse aux côtés opposés de la pièce à souder.

12.0 INCONVÉNIENTS DE SOUDAGE POSSIBLES

INCONVÉNIENT	CAUSE	SOLUTION
NON ALLUMAGE	Branchement primaire incorrect. <i>Fiche inverter défectueuse</i>	Contrôler le branchement primaire. <i>S'adresser à son centre de service après-vente.</i>
ABSENCE DE TENSION EN SORTIE	Machine en surchauffe, led jaune allumé <i>Limites de sur-tension dépassées, led vert éteint</i> Intervention de la protection sur-courant, led jaune allumé <i>Relais interne défaillant</i> Fiche inverter défectueuse	Attendre la restauration thermique. <i>Contrôler le réseau de distribution. Restaurer l'unité en l'éteignant, attendre 20 secondes, puis rallumer. Restaurer l'unité en l'éteignant, attendre 20 secondes, puis rallumer.</i> Dans le cas elle ne fonctionne pas encore, s'adresser à son centre de service après-vente. <i>S'adresser à son centre de service après-vente.</i> <i>S'adresser à son centre de service après-vente.</i>
COURANT EN SORTIE INCORRECT	Potentiomètre de régulation défectueux. <i>Tension d'alimentation primaire faible.</i>	<i>S'adresser à son centre de service après-vente.</i> <i>Contrôler le réseau de distribution.</i>

WICHTIG

LESEN SIE DIE FOLGENDEN ANWEISUNGEN AUFMERKSAM DURCH, BEVOR SIE DAS GERÄT INSTALLIEREN UND STELLEN SIE SICHER, DASS DER GELBE UND GRÜNE ERDUNGSLEITER DIREKT MIT DER ERDE AN DER SCHWEISSSTELLE VERBUNDEN IST./

DAS GERÄT DARF NIEMALS OHNE VERKLEIDUNGSPLATTEN VERWENDET WERDEN, DA DIES FÜR DEN BENUTZER GEFÄHRLICH SEIN KÖNNTE UND EINE ERNSTE BESCHÄDIGUNG DES EQUIPMENTS ZUR FOLGE HABEN KÖNNTE.

DAS GERÄT FUNKTIONIERT NUR MIT EINER EINGANGSSPANNUNG VON 230Vac -50 Hz-1Ph.

DAS EINGANGSKABEL STEHT UNTER STROM, SELBST WENN DER HAUPTSCHALTER IN DER "0"-POSITION STEHT. STELLEN SIE BEI DER WARTUNG DES EQUIPMENTS DAHER SICHER, DASS DER 2-POLIGE STECKER VON DER LEITUNGSDOSE GETRENNT IST.

DIESES SCHWEISSGERÄT KANN NUR MIT DIESEL AGGREGATEN MIT EINER LEISTUNG VON MEHR ALS 7 KVA BEI 220 V 50 HZ VERWENDET WERDEN. (ausgenommen sind Geräte, die 110V übermitteln)

1.0 EINFÜHRUNG

1.1 IDENTIFIKATION DES EQUIPMENTS

Die Identifikationsnummer des Geräts (Spezifikations- oder Teilenummer), Modell und Seriennummer sind normalerweise auf einem Typenschild auf der Rückseite zu finden. Equipment ohne Bedienfeld, wie die Pistolen- und Kabelkomponenten, werden lediglich durch die Spezifikations- oder Teilenummer auf dem Versandbehälter identifiziert. Bewahren Sie diese Nummern für künftige Referenzzwecke gut auf.

1.2 ERHALT DES EQUIPMENTS

Vergleichen Sie beim Erhalt des Equipments die Lieferung mit der Rechnung, um sicherzustellen, dass diese komplett ist. Untersuchen Sie zudem das Equipment nach möglichen Schäden durch den Versand. Alle verschickten Maschinen wurden gewissenhaft geprüft. Sollte Ihre Maschine jedoch nicht korrekt funktionieren, konsultieren Sie bitte den Abschnitt FE-

HLERBEHEBUNG dieses Handbuchs. Wenn der Fehler weiterhin besteht, kontaktieren Sie Ihren Vertragshändler.

2.0 SICHERHEITSWARNUNG

2.1 ALLGEMEINE ANWEISUNGEN

Dieses Handbuch beinhaltet alle notwendigen Anweisungen für:

- die Installation des Equipments;
- einen korrekten Betriebsablauf;
- eine angemessene Wartung des Equipments.

Lesen Sie dieses Handbuch daher aufmerksam durch und stellen Sie sicher, dass es von den Wartungsmitarbeitern und den Bedienern verstanden wird.

2.2 STANDORT

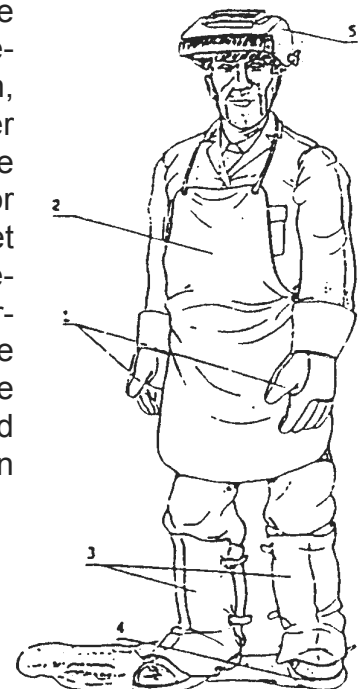
Schweißverfahren jeder Art können nicht nur für den Betreiber, sondern auch für alle Personen, die sich in der Umgebung des Equipments befinden, gefährlich sein, wenn die Sicherheits- und Betriebsbestimmungen nicht streng eingehalten werden.

Besitzer und Bediener müssen sich daher über alle möglichen Risiken bewusst sein, um die nötigen Sicherheitsvorkehrungen vorzunehmen und dadurch jede Art von Arbeitsunfällen zu verhindern.

Die wichtigsten einzuhaltenden Sicherheitsmaßnahmen sind:

- Bediener sollten ihren Körper durch das Tragen nicht entflammbarer, enganliegender Schutzkleidung, ohne Taschen oder hochgeschlagene Hosen, schützen. Öl- oder Schmierrückstände sollten gründlich vor dem Tragen entfernt werden. Die Bediener sollten außerdem geschlossene Sicherheitsschuhe mit Stahlkappen und Gummisohlen tragen (Abb. 1).

1. Lederhandschuhe
2. Lederschürze
3. Schuhabdeckung
4. Sicherheitsschuhe
5. Gesichtsmaske

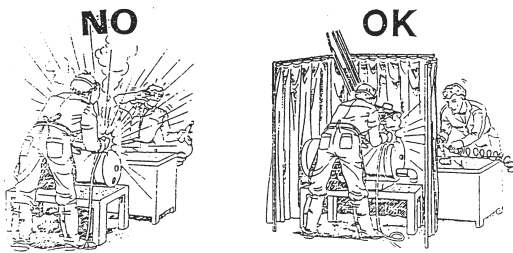


- Bediener sollten einen nicht entflammbaren Schweißerhelm oder einen Gesichtsschutz

tragen, der den Hals und das Gesicht auch an den Seiten schützt. Der Helm oder der Gesichtsschutz sollte mit einem für den Schweißvorgang und den verwendeten Strom angemessenen Schutzglas ausgestattet sein. Die Glasscheibe muss immer sauber sein und unverzüglich ersetzt werden, wenn diese zerbrochen oder gesprungen ist (Abb. 2). Es empfiehlt sich, eine transparente Glasscheibe oben auf dem antiaktinischen Glas, zwischen diesem und der Schweißstelle anzubringen. Die Scheibe kann ersetzt werden, wenn glühende Spritzer und Schichten die Sichtbarkeit verringern. Verwenden Sie für das Arbeiten mit beschichteten Platten, die bei der Erhitzung giftige Dämpfe freisetzen, eine Maske mit Luftzufuhr.



- Es sollte nur in geschlossenen Räumen geschweißt werden, die nicht in mit anderen Arbeitsbereichen verbunden sind, um alle Arbeiter vor Strahlung und Qualm zu schützen. Wenn ein solcher Bereich nicht zur Verfügung steht, muss die Schweißstelle durch Schutzschirme in blickdichtem Schwarz abgegrenzt werden, die groß genug sind, um die Sicht jeder Person, die sich in der Nähe befindet, zu verhindern (Abb. 3).



- Entfernen Sie alle chlorierten Lösungsmittel von der Schweißstelle, bevor Sie mit dem Schweißen beginnen. Bestimmte chlorierte Lösungsmittel zersetzen sich, wenn sie Ultraviolettstrahlung ausgesetzt werden, und bilden Phosgen gas.

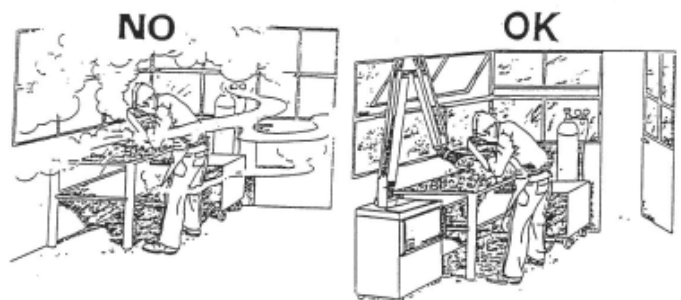
- Schauen Sie niemals und unter keinen Umständen, ohne einen angemessenen Augenschutz auf einen elektrischen Lichtbogen (Abb. 4).



- Tragen Sie immer eine Schutzbrille mit transparenten Linen, um die Beschädigung der Augen durch Splitter oder andere Fremdpartikel zu verhindern (Abb. 5).



- Eine angemessene lokale Abgasentlüftung muss in diesem Bereich eingesetzt werden. Es kann entweder ein mobiles Abzugssystem oder ein in die Werkbank eingebautes System genutzt werden, dass die Abgasentlüftung von den Seiten, von vorne und unten, aber nicht oben von der Bank bietet, um das Aufsteigen von Staub und Qualm zu vermeiden. Die lokale Abgasentlüftung muss zusammen mit einer üblichen angemessenen Belüftung und Luftzirkulation bereitgestellt werden, besonders wenn die Arbeit an einem begrenzten Ort ausgeführt wird (Abb. 6). Jegliche Anzeichen von Flecken oder Schmerzen an den Augen, der Nase oder dem Hals können auf eine unangemessene Belüftung zurückzuführen sein; die Arbeit muss unverzüglich abgebrochen werden und es müssen alle nötigen Schritte unternommen werden, um eine angebrachte Belüftung zu



gewährleisten.

- Der Schweißvorgang muss auf Metallschichten durchgeführt werden, die von Rost- oder Farbschichten befreit sind, um die Entstehung schädlicher Dämpfe zu verhindern.

Die Teile, die mit einem Lösungsmittel entfettet wurden, müssen vor dem Schweißen getrocknet werden.

- Schweißen Sie kein Metall oder lackiertes Metall, das Zink, Blei, Kadmium oder Beryllium enthält, es sei denn der Bediener oder die Personen, die dem Qualm ausgesetzt sind, tragen ein Atemgerät oder einen Helm mit Luftzufuhr.

- Der technische oder sanitäre Schutz aller Schweißarbeiter, die direkt oder indirekt in den Schweißvorgang einbezogen sind, ist in den gültigen Regulierungen für die Gesundheit und Vorbeugung von Arbeitsunfällen zu finden.

2.3 SICHERHEITSANWEISUNGEN

Verbinden Sie zu Ihrer eigenen Sicherheit die Quelle mit der Leitung nur unter der genauen Berücksichtigung folgender Anweisungen:

- ein entsprechender zweipoliger Schalter muss vor dem zweipoligen Hauptauslass angebracht werden; dieser Schalter muss mit zeitverzögernden Sicherungen ausgestattet sein und er muss den Daten, die im Kapitel "Technische Spezifikationen" angegeben sind, entsprechen;

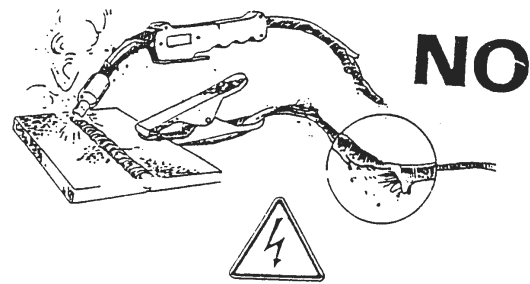
- die einphasige Verbindung zur Erde muss mittels einem zweipoligen Stecker, der mit der oben genannten Buchse kompatibel ist, vorgenommen werden;

- zwei Drähte des zweipoligen Eingangskabels werden für die Verbindung mit der einphasigen Leitung und dem gelb-grünen Draht für die erforderliche Verbindung zur Erde an der Schweißstelle verwendet;

- verbinden Sie alle Metallteile, die sich in der Nähe des Bedieners an der Schweißstelle befinden, über Kabel, die größer oder gleich groß wie der Querschnitt des Schweißkabels sind, mit dem Erdanschluss;

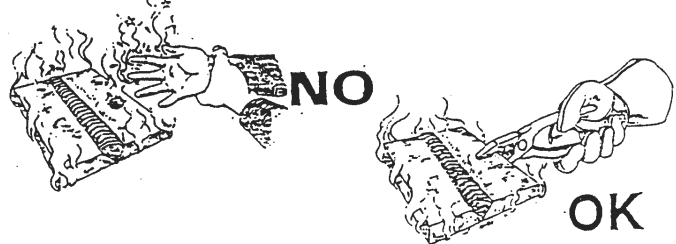
- bei der Arbeit an einem begrenzten Ort muss die Stromquelle außerhalb der Schweißstelle bleiben, und das Erdungskabel sollte mit dem Werkstück verschweißt werden; arbeiten Sie unter diesen Bedingungen nicht in einer

feuchten oder nassen Umgebung (Abb. 7).



- verwenden Sie keine beschädigten Schweiß- oder Eingangskabel (Abb. 8);

- der Bediener sollte niemals und mit keinem



Teil des Körpers Metallteile berühren, die heiß sind oder elektrisch erhitzt wurden (Abb. 9);

- der Bediener sollte die Schweißkabel niemals um seinen Körper wickeln;

- die Schweißpistole sollte niemals auf den Bediener oder eine andere Person gerichtet werden; Die Stromquelle hat einen Schutz der Ebene IP 22; es beugt daher folgendem vor:

- jedem manuellen Kontakt mit heißen oder beweglichen internen Teilen;

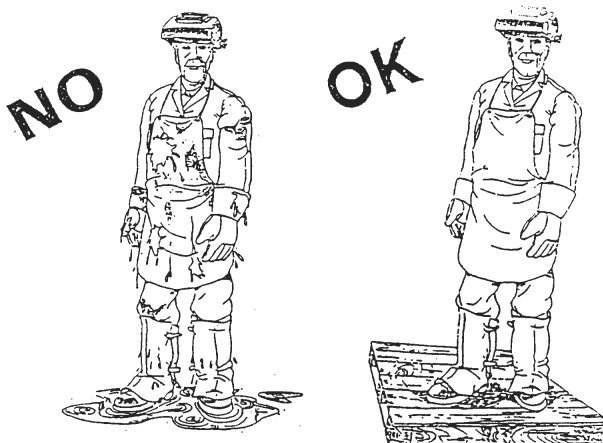
- dem Einführen eines jeden Festkörpers mit einem Durchmesser von mehr als 12mm;

- geschützt vor vertikal fallenden Wassertropfen (Kondensation) mit einer Neigung von maximal 15°.

Die Quelle darf niemals ohne die Verkleidungslatten verwendet werden; dies könnte zu ernstesten Verletzungen des Bedieners und zur Beschädigung des Equipments führen.

2.4 BRANDSCHUTZ

Der Arbeitsbereich sollte mit den Sicherheitsregulierungen übereinstimmen und es sollten Feuerlöschgeräte in dem Bereich an Wänden angebracht sein; Decke und Boden sollten nicht entflammbar sein. Alle brennbaren Materialien müssen aus dem Schweißbereich entfernt werden (Abb. 10). Wenn brennbare Materialien nicht bewegt werden können, müssen diese durch feuerbeständige Abdeckungen geschützt werden. Belüften Sie möglicherweise entzündbare Atmosphären vor dem Schweißen. Arbeiten Sie niemals in einer Atmosphäre, die eine schwere Konzentration von Staub, entzündbarem Gas oder brennbaren Flüssigkeiten enthält.



Die Stromquelle muss sich in einer sicheren Umgebung befinden, mit einem festen und flachen Boden; sie sollte nicht an die Wand gestellt werden. Verschweißen Sie keine Container, in denen Benzin, Schmiermittel oder andere entflammbare Materialien aufbewahrt wurden. Überprüfen Sie nach der Fertigstellung Ihrer Ar-



beit immer, dass der Bereich frei von glühenden oder glimmenden Materialien ist.

2.5 SCHUTZGAS

Verwenden Sie für den Schweißvorgang das richtige Schutzgas. Vergewissern Sie sich, dass der Regulator/Durchflussmesser, der auf dem Zylinder angebracht ist, richtig funktioniert. Halten Sie den Zylinder stets von jeglicher Hitzequelle fern.

2.6 ZULÄSSIGE LÄRMPEGEL 86/188/EEC-REGEL.

Unter normalen Umständen überschreitet das Equipment, das zum elektrischen Lichtbogenschweißen genutzt wird, die zugelassenen 80 dBA nicht. Unter bestimmten Voraussetzungen, wie z.B. bei hohen Schmelzparametern an begrenzten Orten, können die Lärmpegel das zulässige Level überschreiten. Aus diesem Grund wird dringend empfohlen, dass die Bediener einen entsprechenden Ohrenschutz tragen.

2.7 ELEKTROMAGNETISCHE KOMPATIBILITÄT.

Nehmen Sie vor der Installation der STICK/TIG-Schweißeinheit eine Inspektion der Umgebung vor, unter Berücksichtigung folgender Richtlinien:

- 1- Vergewissern Sie sich, dass sich in der Nähe des Geräts keine anderen Stromkabel, Steuerleitungen, Telefonleitungen oder anderes Equipment befindet.
- 2- Vergewissern Sie sich, dass sich keine Radioempfänger oder Fernsehgeräte in der Nähe

befinden.

3- Vergewissern Sie sich, dass sich keine Computer oder andere Steuerungssysteme in der Nähe befinden.

4- Vergewissern Sie sich, dass sich niemand mit einem Herzschrittmacher oder Hörgerät in dem Bereich um das Gerät befindet. 5-Überprüfen Sie die Sicherheit von anderen Geräten, die sich in der selben Umgebung befinden.

In bestimmten Fällen können weitere zusätzliche Sicherheitsmaßnahmen erforderlich sein.

Störungen können wie folgt reduziert werden:

- 1- Sollte es eine Störung bei der Stromleitung geben, sollte ein E.M.C.-Filter zwischen dem Stromnetz und der Einheit angebracht werden.
- 2- Die Ausgangskabel der Einheit sollten gekürzt werden; diese sollten nahe beieinander gehalten werden und am Boden entlanggeführt werden.
- 3- Alle Verkleidungsplatten der Einheit sollten korrekt geschlossen werden, nachdem die Wartung durchgeführt wurde.

2.8 MEDIZINISCHE BEHANDLUNG UND NOTFALLBEHANDLUNG

Notfalleinrichtungen und eine qualifizierte Erste Hilfe-Person sollten während jeder Schicht für die unverzügliche Behandlung von Elektroschock-Opfern vor Ort sein. Eine medizinische Einrichtung sollte für die unverzügliche Behandlung von Verbrennungen am Auge und Hautverbrennungen in der Nähe sein.

IM NOTFALL (ERSTE HILFE):

Rufen Sie sofort einen Arzt und den Krankenwagen.

Wenden Sie Erste Hilfe-Techniken an, die vom Roten Kreuz empfohlen werden.

ACHTUNG: EIN ELEKTROSCHOCK KANN TÖDLICH SEIN

Sollte eine Person bewusstlos sein und besteht der Verdacht auf einen Elektroschock, berühren Sie diese Person nicht, wenn sie in Kontakt mit Schweiß-Equipment oder anderen spannungsführenden Teilen ist. Trennen Sie (offenen) Strom über den Wandschalter und wenden Sie dann Erste Hilfe an. Trockenes Holz, Holzbesen oder andere Isoliermaterialien können verwendet werden, um


Kabel, wenn nötig, von der Person zu bewegen.

3.0 KURZE EINFÜHRUNG

Ihr Schweißgerät gehört zu einer Auswahl an Schweiß-Invertern für MMA - Manual Metal Arc-Schweißen, die die neueste Pulsweitenmodulation (PWM)-Technologie und das Insulated Gate Bipolar Transistor (IGBT)-Leistungsmodul einsetzen, um eine optimale Leistung zu bieten: Konstanter Stromausgang, um den Schweißbogen stabiler zu machen und eine stufenlose Stromregelung zu erreichen. Alle Inverter sind mit automatischen Schutzfunktionen ausgestattet: Überspannung, Überstrom und Übertemperatur.

3.1 TECHNISCHE DATEN

HINWEIS: die unten genannten Daten können von den Daten der technischen Tabelle für die Einheit abweichen. Bitte nehmen Sie immer Bezug auf die technische Datentabelle der Einheit.

		105 Amps	135 Amps	160 Amps
	(1 ph)	230V 50/60Hz	230V 50/60Hz	230V 50/60Hz
Power 60%	KVA	2	2,3	3,5
U _o	V	15	15	15
Amp. Min-Max	A ±10%	5 ÷ 105	5 ÷ 135	5 ÷ 160
Amp. 60974-1	A	25% 105 60% 65	25% 135 60% 85	25% 160 60% 105
∅ E	mm	1,6 ÷ 2,5	1,6 ÷ 3,25	1,6 ÷ 3,25
Insulation	-	H	H	H
Protec. Degree	-	IP22	IP22	IP22

wird durch die entsprechende Installation sichergestellt. Der Zusammenbau des Inverters ist durch Experten durchzuführen, indem die Anweisungen der Sicherheitsstandards vollständig befolgt werden.

- Nehmen Sie das Schweißgerät aus dem Karton.

ÜBERPRÜFEN SIE VOR DER HERSTELLUNG EINER ELEKTRISCHEN VERBINDUNG DAS TYPENSCHILD UND VERGEWISSEN SIE SICH, DASS DIE EINGANGSSPANNUNG UND DIE FREQUENZ DES ZU VERWENDENDEN STROMNETZES MITEINANDER ÜBEREINSTIMMEN.

ERDUNG

- Zum Schutz der Anwender müssen die Schweißmaschinen korrekt mit dem Erdsystem (INTERNATIONALE SICHERHEITSREGULIERUNGEN) verbunden sein.

- Es ist unabdingbar, die Maschine korrekt mit der gelb-grünen Ader des Stromkabels zu erden, um Ableitungen auf Grund von versehentlichen Kontakten durch geerdete Objekte zu verhindern.

- Das Gehäuse (das leitend ist), ist elektrisch mit dem Erdungsleiter verbunden. Ist das Equipment nicht korrekt geerdet, können Elektroschocks auftreten, die für die Anwender gefährlich sind.

- Schließen Sie den Inverter an das Stromnetz an.

Verwenden Sie den Generator nicht mit Eingangskabelverlängerungen, die länger als 10m und dünner als 2,5mm² sind. Vergewissern Sie sich, dass die Kabel ausgelegt sind und nicht gewickelt oder verheddert sind.

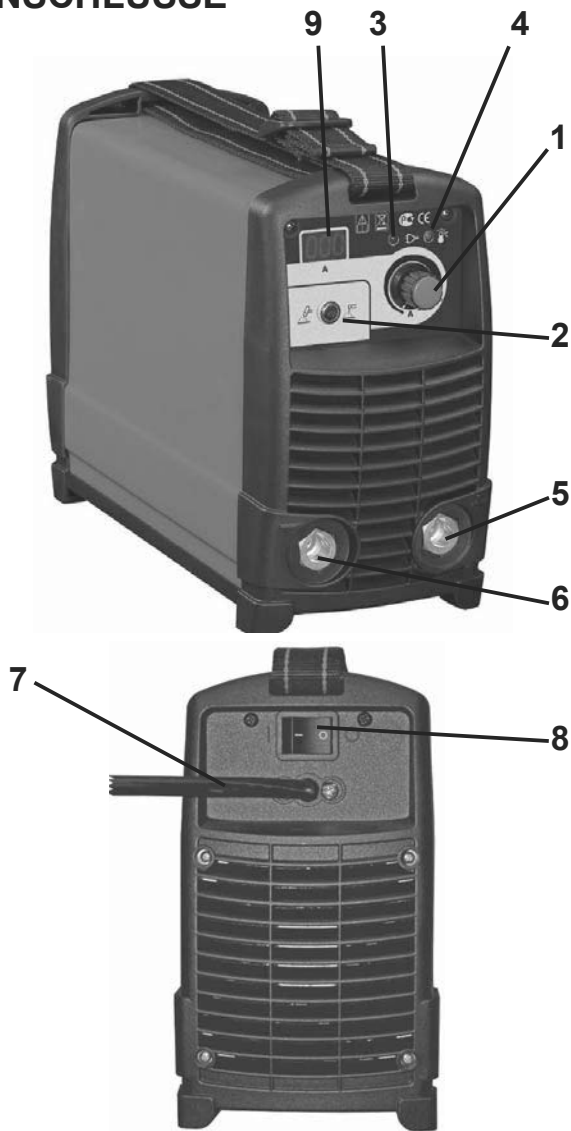
Verwenden Sie das Schweißgerät nicht, wenn die Verkleidungsplatten seitlich oder vollständig entfernt sind, um den versehentlichen Kontakt mit inneren spannungsführenden Teilen zu verhindern.

- Der Inverter steht nun zur Nutzung bereit. Vergewissern Sie sich, dass Sie in einem angemessenen belüfteten Bereich schweißen, und dass die Lüftungsöffnungen der Maschine nicht versperrt sind (eine schlechte Belüftung kann den Auslastungsgrad der Einheit verringern und Schäden verursachen). Sie können nun den Schweißvorgang auswählen, indem Sie die Komponenten so verbinden, wie auf den folgenden Seiten gezeigt wird.

4.0 INSTALLATION DES EQUIPMENTS

Der einwandfreie Betrieb des Generators

5.0 INVERTERFUNKTIONEN UND ANSCHLÜSSE



- 5 Dinse-Positivmuffe
- 6 Dinse-Negativmuffe
- 7 Eingangskabel
- 8 AN/AUS-Schalter
- 9 Anzeige

6.0 STICK-SCHWEISSEN

Allgemeine Informationen

Der elektrische Lichtbogen kann als eine Quelle von hellem Licht und starker Hitze beschrieben werden; tatsächlich ist es der Fluss des elektrischen Stroms in der Gasatmosphäre, welche die Elektrode umgibt; das Werkstück beendet die Strahlung der elektromagnetischen Wellen, die als Licht und/oder Hitze wahrgenommen werden, je nach Wellenlänge. Auf einer nicht wahrnehmbaren Ebene produziert der Bogen außerdem ultraviolettes und infrarotes Licht; ionisierende Strahlen wurden noch nicht festgestellt. Die Hitze, die durch den Bogen erzeugt wird, wird im Schweißvorgang genutzt, um Metallteile zu schmelzen und miteinander zu verbinden. Der benötigte elektrische Strom wird über ein spezielles Equipment zugeführt, das üblicherweise als Schweißmaschine bezeichnet wird.

- Verbinden Sie das Erdungskabel mit dem Negativpol des Inverters und die Masseklemme mit dem Werkstück.
- Verbinden Sie das Schweißkabel mit dem positiven Pol des Inverters.
- Stellen Sie den Schweißstrom mit Hilfe des Potentiometers an der Vorderseite ein. Der Schweißstrom sollte an Hand der Anweisungen ausgewählt werden, die von Elektrodenherstellern auf der Elektrodenbox angegeben sind, aber die folgenden Angaben dienen als allgemeine Information:

ELECTRODE DIAMETER	WELDING CURRENT
1.5mm	30 A - 40A
2.0mm	50 A - 65 A
2.5mm	70 A - 100 A
3.25mm	100 A - 140 A
4.0mm	140 A - 160 A

- Schalten Sie den Inverter an. Die zwei LED auf der Vorderseite werden entsprechend grün sein = aufgeleuchtet und die gelbe LED = aus (siehe für weitere Details die vorherige Seite). Stellen Sie das Stick-Schweißen über den Schalter an der Vorderseite ein.

1 Anpassung des Schweißstrom-Potentiometers

2 Auswahl Stick / TIG (nur bei den Modellen, die es haben)

3 Grüne LED, Anzeige für Power AN

LED AN = Power AN

LED AUS = Power AUS

Überspannungsschutz (setzen Sie die Einheit durch das Ausschalten zurück, warten Sie 20 Sekunden und schalten Sie die Einheit dann an)

4 Gelbe LED

LED AN = zeigt an, dass Temperaturlimits überschritten wurden.

Warnung: Lassen Sie die Einheit abkühlen. Wenn bereit, schaltet sich die orangefarbene LED automatisch aus.

LED AN = zeigt einen Alarmzustand auf Grund eines Überstroms an. Schalten Sie die Einheit aus und dann an. Im Falle eines Schutzeingriffs auf Grund einer Stromspitze wird die Einheit wieder automatisch den Betrieb aufnehmen. Falls nicht, kontaktieren Sie bitte Ihr Kundenzentrum.

- Schützen Sie Ihr Gesicht mit einer Maske oder einem Helm. Berühren Sie mit der Elektrode, die im Elektrodenhalter befestigt ist, das Werkstück, bis ein Lichtbogen schlägt (der Inverter verfügt über einen „Hot Start“, um das Durchschlagen zu verbessern).

Vermeiden Sie das Aushämmern des Werkstücks mit der Elektrode, da es seine Beschichtung verlieren kann und die Schwierigkeiten beim Durchschlagen des Lichtbogens erhöhen kann.

- Nach dem Schlagen des Lichtbogens drücken Sie die Elektrode in das Schweißbad, mit einem Winkel von ungefähr 60°, und bewegen Sie diese von links nach rechts, sodass Sie das Schweißen kontrollieren können. Die Länge des Lichtbogens kann auch kontrolliert werden, indem die Elektrode leicht angehoben oder gesenkt wird. Auch die Veränderung des Schweißwinkels kann das Schweißbad vergrößern und somit die Kapazität der Schlackenfläche erhöhen.

- Lassen Sie die Schlacke am Ende des Schweißvorgangs abkühlen, bevor Sie diese mit dem Bürstenhammer entfernen.

ACHTUNG:

Schützen Sie beim Abschlagen der Schlacke mit dem Schlackenhammer Ihre Augen, um Verletzungen zu vermeiden.

ACHTUNG:

Ein schlechter Start kann auf ein unsauberes Werkstück, eine schlechte Verbindung zwischen dem Massekabel und dem Werkstück, oder eine schlechte Befestigung der Elektrode im Elektrodenhalter zurückzuführen sein.

7.0 QUALITÄT DER SCHWEISSNAHT

Die Qualität der Schweißnaht hängt hauptsächlich von der Fähigkeit des Schweißers ab, von der Art des Schweißens und der Qualität der Elektrode: Wählen Sie die richtige Elektrode, bevor Sie mit dem Schweißen beginnen, und achten Sie auf die Dicke und Zusammensetzung des zu schweißenden Metalls.

Richtiger Schweißstrom.

Wenn der Strom zu hoch ist, brennt die Elektrode schnell und das Schweißbad wird groß, unregelmäßig und schwierig zu kontrollieren. Wenn der Strom zu niedrig ist, haben Sie zu wenig Leistung und das Schweißbad wird klein und unregelmäßig.

Richtige Lichtbogenlänge.

Wenn der Lichtbogen zu lang ist, werden Spritzer und eine kleine Verschmelzung des Werkstücks auftreten. Wenn der Lichtbogen zu kurz ist, ist die Lichtbogenhitze nicht ausreichend, was dazu führt, dass die Elektrode am Werkstück haften bleibt.

Richtige Schweißgeschwindigkeit.

Die richtige Schweißgeschwindigkeit wird so gewählt, dass eine Schweißnaht von geeigneter Größe, ohne Wellen oder Krater, entsteht.

8.0 TIG-SCHWEISSEN

Der TIG-Vorgang verwendet den elektrischen Lichtbogen, der zwischen der Wolfram-Elektrode des Brennergriffs und der Oberfläche des Werkstücks einschlägt.

Beim TIG-Schmelzen ist der Brennergriff stets mit dem Negativpol des Schweißgeräts verbunden.

Vorbereitung des Schweißgeräts:

- Stellen Sie das TIG-Schweißen mit dem Wählschalter an der Vorderseite ein.

- Verbinden Sie das Erdungskabel mit dem Positivpol des Schweißgeräts und die Masseklemme mit dem Werkstück.

- Verbinden Sie den TIG-Brennergriff mit dem Negativpol des Schweißgeräts und den Gasschlauch mit dem Druckregler des Gaszylinders.

Der Gasfluss wird manuell mit dem Knopf auf dem Brennergriff geregelt. Verwenden Sie ausschließlich Inertgas (Argon).

- Schalten Sie den Inverter an.

9.0 TIG-SCHWEISSEN MIT DEM SCRATCH-LICHTBOGEN

- Vergewissern Sie sich, dass die Elektrode an der Brenngriffdüse 4 - 5mm hinaussteht und stellen Sie zudem sicher, dass die Elektrode spitz mit einem Winkel von 40°-60° ausgerichtet ist.

- Stellen Sie den Schweißstrom, unter Berücksichtigung der Dicke des zu schweißenden Materials und des Durchmessers der zu verwendenden Wolfram-Elektrode, ein.

- Öffnen Sie das Gasventil am Brennergriff, damit das Gas aus der Düse des Brennergriffs fließen kann. Bedecken Sie Ihr Gesicht mit einem Kopfschutz, bringen Sie den Brennergriff 3-4mm an das Werkstück, mit einem Winkel von 45°, sodass die Keramikdüse sanft die

Oberfläche des Werkstücks berührt (Abb. b). Kratzen Sie die Spitze der Elektrode, bis sich ein Lichtbogen bildet, nehmen Sie die Elektrode schnell zurück und halten Sie einen Abstand von ca. 3-4mm, um das Schweißen fortzusetzen. Um das Schweißen zu beenden, entfernen Sie einfach den Brennergriff vom Werkstück. Denken Sie daran, das Gas **SOFORT ABZUDREHEN**, sobald Sie mit dem Schweißen fertig sind.

Um Beschädigungen am Generator zu vermeiden, empfehlen wir, dass nur geschulte Personen das Schweißen mit dem SCRATCH-LICHTBOGEN durchführen.

HINWEISE:

- a) Die Lichtbogenlänge variiert normalerweise zwischen 3 und 6mm, je nach Art der Schweißnaht, Art und Dicke des Materials, usw.
- b) Der Brennergriff wird in Richtung der Schweißnaht geführt, ohne seitliche Bewegungen, und der Winkel des Brennergriffs von 45° zum Werkstück wird eingehalten.

ABB.A

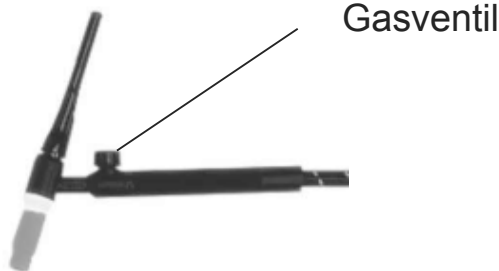
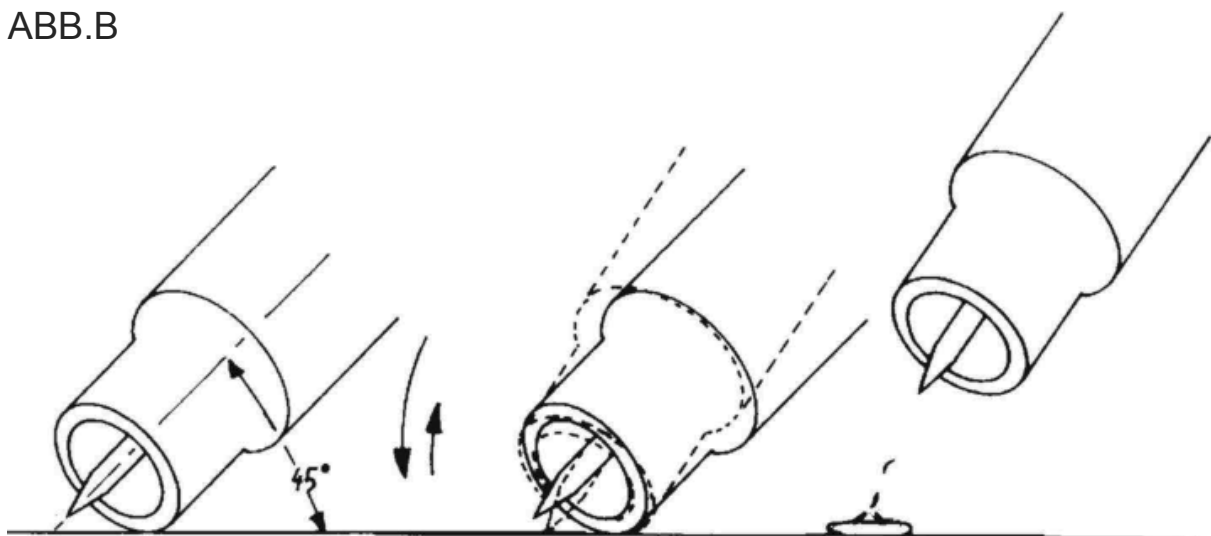


ABB.B



10.0 GEWÖHNLICHE WARTUNG ACHTUNG!!!

TRENNEN SIE DIE MASCHINE VON DER STROMVERSORGUNG, BEVOR SIE MIT DER WARTUNG BEGINNEN.

Das Leistungsvermögen des Schweißsystems über die Zeit steht in direkter Beziehung zur Häufigkeit der Wartungsarbeiten, wie: Wartungsarbeiten an Schweißmaschinen dürfen nur innen durchgeführt werden. Je staubiger die Arbeitsumgebung, desto öfters sollte die Maschine gewartet werden.

- Nehmen Sie den Deckel ab.
- Entfernen Sie jegliche Staubspuren im Inneren des Generators mit Druckluft unter 3kg/cm.
- Überprüfen Sie alle elektrischen Verbindungen und stellen Sie sicher, dass alle Muttern und Schrauben fest angezogen sind.
- Ersetzen Sie alte Teile nicht zu spät.
- Setzen Sie den Deckel wieder auf.
- Nach dem Beenden der obigen Arbeiten kann der Generator wieder einfach mit den Anweisungen in diesem Handbuch gestartet werden.

11.0 MÖGLICHE SCHWEISSFEHLER

DEFEKT	URSACHEN	EMPFEHLUNGEN
POROSITÄT	Säure; Elektrode auf Stahl mit erhöhtem Schwefelgehalt. Die Elektrode oszilliert zu sehr. Werkstücke sind zu weit voneinander entfernt. Das zu schweißende Werkstück ist kalt.	Verwenden Sie die Standard-Elektroden. Legen Sie die Kanten, die miteinander verschweißt werden sollen, näher aneinander. Zu Beginn langsam bewegen. Schweißstrom verringern.
RISSE	Das zu schmelzende Material ist nicht sauber (z.B. Öl, Farbe, Rost, Oxide). Nicht genügend Strom.	Das Säubern der Werkstücke vor dem Schweißen ist eine notwendige Methode, um saubere Schweißnähte zu erhalten.
BEGRENZTE PENETRATION	Niedriger Strom. Hohe Schweißrate. Umgekehrte Polarität. Elektrode gegen die Bewegungsrichtung geneigt.	Vergewissern Sie sich, dass die Betriebsparameter reguliert sind und bereiten Sie die Werkstücke besser vor.
STARKE SPRITZER	Elektrode zu stark geneigt.	Nehmen Sie entsprechende Korrekturen vor.
PROFILDEFEKTE	Schweißparameter sind nicht korrekt. Passrate steht nicht mit den Anforderungen der Betriebsparameter in Bezug.	Befolgen Sie die grundlegenden und allgemeinen Schweißgrundsätze.
LICHTBOGEN-INSTABILITÄT	Nicht genügend Strom.	Überprüfen Sie den Zustand der Elektrode und die Massekabel-Verbindung.
ELEKTRODE SCHMILZT SCHIEF AB	Elektrodenkern ist nicht zentral ausgerichtet. Magnetisches Blasphänomen.	Elektrode ersetzen. Verbinden Sie zwei Massekabel mit den Gegenseiten des Werkstücks.

12.0 FEHLERBEHEBUNG

UNANNEHMLICHKEIT	URSACHE	LÖSUNG
FUNKEN SCHLÄGT NICHT	Schlechte Primärverbindung. PCB des Inverters ist defekt.	Überprüfen Sie die Primärverbindung. Kontaktieren Sie das After Sales-Kundenzentrum.
KEINE AUSGANGSSPANNUNG	Überhitzte Einheit, gelbe LED leuchtet Überspannungsschutz, grüne LED aus. Überstromschutz, gelbe LED leuchtet. Internes Relais ist ausgefallen. PCB des Inverters ist defekt.	Warten Sie auf die Zurücksetzung der thermischen Abschaltung. Überprüfen Sie die Stromleitung. Setzen Sie die Einheit zurück, indem Sie diese ausschalten und nach 20 Sekunden wieder einschalten. Setzen Sie die Einheit zurück, indem Sie diese ausschalten und nach 20 Sekunden wieder einschalten. Wenn die Einheit den Betrieb nicht wieder aufnimmt, kontaktieren Sie bitte das After Sales-Kundenzentrum. Kontaktieren Sie das After Sales-Kundenzentrum. Kontaktieren Sie das After Sales-Kundenzentrum.
FALSCHER AUSGANGSSTROM	Defektes Steuerungspotentiometer. Niedrige Primärspannungsversorgung.	Kontaktieren Sie das After Sales-Kundenzentrum. Überprüfen Sie die Stromleitung.

ВАЖНО!

Внимательно прочитайте инструкцию по эксплуатации перед установкой аппарата и убедитесь, что желтый и зеленый заземляющие провода напрямую подключены к заземлению в зоне сварки.

Не включайте аппарат, если открыты боковые панели, т.к. это опасно для жизни рабочего и может вызвать серьезные повреждения оборудования.

Аппарат работает только при напряжении 230В, 50Гц, 1 фаза.

Кабель аппарата находится под напряжением, даже если главный выключатель находится в положении “0”, поэтому перед проведением технического обслуживания обязательно выдерните вилку из розетки.

Сварочный аппарат может использоваться только с дизельным генератором, технические характеристики которого должны быть не менее 6кВА, 220В, 50Гц (кроме единицы 110В)

1.0 ВВЕДЕНИЕ

1.1 ИДЕНТИФИКАЦИЯ ОБОРУДОВАНИЯ

Идентификационный номер модели (технические характеристики или артикул детали) и серийный номер обычно наносятся на специальную табличку, прикрепляемую к задней панели. Оборудование, которое не имеет панели управления, например, горелка или набор кабелей, идентифицируются только с помощью технических характеристик или артикула детали, указанных на транспортировочной упаковке. Запишите данные номера для возможного обращения к ним в будущем.

1.2 ПРИЕМ ОБОРУДОВАНИЯ

При получении оборудования сравните его с накладной; проверьте наличие всех комплектующих и проверьте оборудование на предмет возможных повреждений,

связанных с транспортировкой. Все аппараты при отправке тщательно проверяются, однако, если аппарат работает не должным образом, то обратитесь к разделу «Устранение неисправностей». Если вы не можете устранить неисправность, то обратитесь за помощью к уполномоченным дилерам.

2. МЕРЫ БЕЗОПАСНОСТИ

2.1 ОБЩИЕ ПОЛОЖЕНИЯ

Данное руководство по эксплуатации содержит все необходимые инструкции по:

- Установке оборудования
- Правильной эксплуатации
- Правильному техническому обслуживанию.

Рабочие, проводящие техническое обслуживание аппарата, должны внимательно изучить данное руководство по эксплуатации.

2.2 РАЗМЕЩЕНИЕ

Процесс сварки может быть очень опасным не только для рабочего, но и для людей, находящихся в непосредственной близости с оборудованием, если не соблюдаются необходимые меры безопасности.

Поэтому владелец аппарата и рабочий должны внимательно изучить правила техники безопасности и принять все необходимые меры, чтобы избежать несчастных случаев при эксплуатации оборудования.

Основные меры предосторожности:

- Рабочий, для защиты собственного тела, должен надеть невоспламеняющуюся, плотно подогнанную одежду без карманов и отворотов на брюках.

Перед тем как надеть одежду, с нее должны быть тщательно удалены масло и смазка. Рабочий также должен носить закрытую защитную обувь со стальными носками и с резиновыми подошвами (рис. 1).

1. Кожаные перчатки
2. Кожаный фартук
3. Покрытие для обуви
4. Защитная обувь
5. Маска для лица



- Оператор должен носить невоспламеняющийся защитный шлем или специальный щиток сварщика, выполненный таким образом, чтобы защитить шею и лицо, а также боковые части головы. Защитный шлем или щиток должны иметь защитные стекла, подходящие для данного типа сварки и используемого тока. Стекло должно быть всегда чистым; если стекло поцарапано или повреждено, его необходимо заменить (рис.2). Желательно устанавливать поверх адиактинического стекла щиток из прозрачного стекла. Щиток можно заменять по мере его загрязнения. При сварке листов с покрытием при нагреве образуются токсичные пары, поэтому в этом случае необходимо использовать воздушный респиратор.



рис.2

- Сварка должна проходить в закрытом помещении, которое не должно быть смежным с другими рабочими помещениями, чтобы защитить рабочих от излучения и испарений. Если невозможно обеспечить закрытое помещение, то зона сварки должна быть отделена специальным, большим непроницаемым ограждением черного цвета, чтобы процесс сварки не был виден людям, находящимся рядом (рис.3).

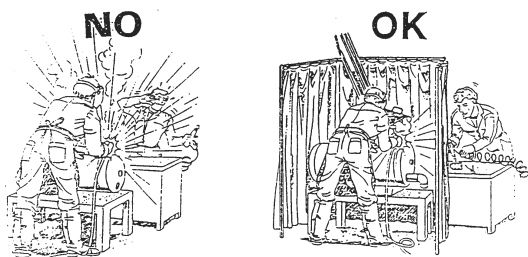


рис.3

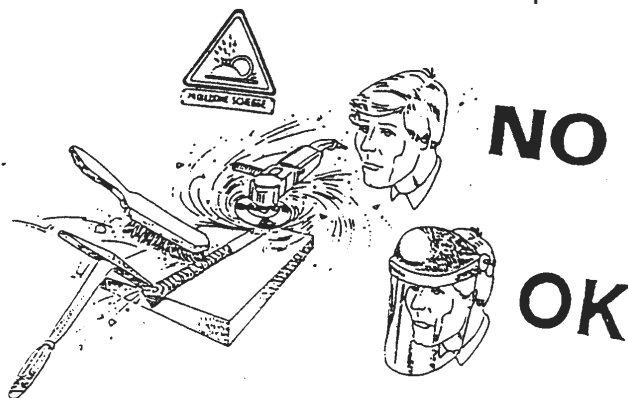
- До сварки удалите все хлорсодержащие растворы из рабочей зоны. Данные растворы разлагаются, когда подвергаются ультрафиолетовому излучению и образуют газ фосген.
 - Во время сварки категорически запрещается смотреть на электрическую дугу без соответствующей защиты для глаз (рис.4).



рис.4

- Всегда надевайте защитные очки с прозрачными линзами, чтобы защитить глаза от попадания искр, брызг и других инородных частиц (рис.5).

рис.5



- В помещении, в котором проводятся сварочные работы, должна быть обеспечена местная вытяжная вентиляция. Она должна обеспечиваться через подвижное вытяжное устройство или через встроенную систему на рабочем столе, которая обеспечивает вытяжку с различных сторон, с фронта сварки и ниже, но не с зоны, расположенной над местом сварки, для того, чтобы избежать поднятия пыли и дыма. Вытяжная вентиляция должна использоваться вместе с соответствующей общей вентиляцией и циркуляцией воздуха, особенно в случаях, когда сварка проходит в закрытом помещении (рис. 6). При неправильной системе вентиляции возможны боль и неприятные ощущения в глазах, носе или горле, при этом необходимо сразу прекратить сварку и обеспечить необходимую вентиляцию.

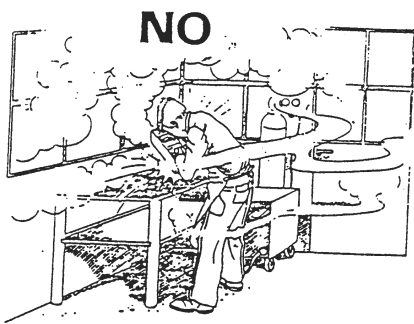
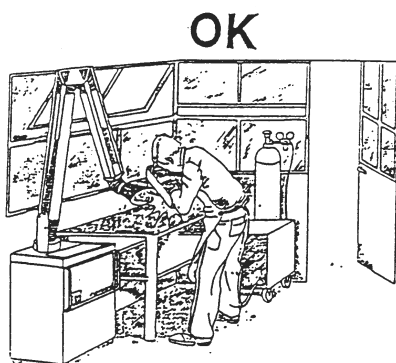


рис.6

электрической сети используются два провода двухполюсного кабеля питания, а желто-зеленый провод - для обязательного заземления в зоне сварки.

- Подсоедините все металлические детали, которые находятся в зоне сварки, при помощи кабеля с большим или таким же сечением как сварочный кабель к клемме заземления.

- При работе в закрытом помещении, источник питания должен находиться вне зоны сварки, а заземляющий кабель должен быть приварен к обрабатываемому изделию. Не эксплуатируйте аппарат в помещениях с высокой степенью влажности и сырости (рис.7).



- Сварка должна выполняться на металлическом покрытии тщательно очищенном от ржавчины и краски, чтобы избежать образования вредного дыма. Детали, обработанные обезжиривающими растворами, должны быть высушены до начала сварки.

- Не следует сваривать металл или окрашенный металл, содержащий цинк, свинец, кадмий, бериллий, до тех пор, пока рабочий или другие люди находящиеся в помещении не наденут респираторы или защитные маски.

- Санитарно-техническая защита рабочего, косвенно или напрямую задействованного в процессе сварки, обеспечивается соответствующими действующими нормами.

2.3 ИНСТРУКЦИИ ПО БЕЗОПАСНОСТИ.

Для вашей собственной безопасности, перед подключением аппарата к электрической сети тщательно выполните следующие инструкции:

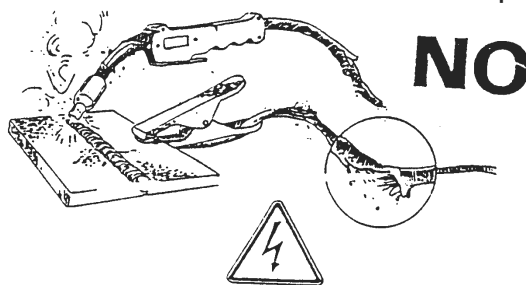
- Двухполюсный выключатель должен быть подключен к соответствующему двухполюсному разъему; Этот выключатель должен быть снабжен предохранителем и его технические характеристики должны соответствовать пункту «Технические характеристики»;
- Однофазное подключение к заземлению должно быть осуществлено с помощью двухполюсной вилки и соответствующей розетки.
- Для подключения к однофазной



рис.7

- Не используйте поврежденные сварочные кабели и шнуры питания (рис.8).

рис.8



- Не прикасайтесь ни какими частями вашего тела к горячим металлическим деталям (рис.9).

рис.9



- Не обматывайте провода вокруг своего тела.
- Не направляйте горелку на рабочего

или на других людей. Источник питания имеет уровень защиты IP 22, поэтому он предотвращает:

- контакт с горячими или движущимися внутренними деталями;
- попадание твердых частиц диаметром более 12 мм;
- попадание вертикально падающих капель воды (конденсата) и под наклоном не более 150;

Не эксплуатируйте аппарат без боковых панелей т.к. это может вызвать серьезные травмы рабочего и может повредить оборудование.

2.4 ПРЕДОТВРАЩЕНИЕ ПОЖАРА.

Рабочая зона должна соответствовать правилам техники безопасности: в помещении должны быть огнетушители; стены, потолок, и пол должны быть выполнены из невоспламеняющихся материалов. Все горючие материалы необходимо удалить из зоны сварки. (рис.10) Если горючие материалы не могут быть удалены, они должны быть защищены огнеустойчивым покрытием. Перед сваркой проветривайте потенциально огнеопасную атмосферу. Не работайте в атмосфере, содержащей сильную концентрацию пыли, огнеопасные газы или горючие жидкие пары. Источник питания должен быть размещен в безопасном месте на устойчивом и ровном полу; не размещайте источник питания около стены. Не осуществляйте сварку на баллонах, в которых хранились горючие, смазочные и иные воспламеняющиеся материалы. После завершения работы, убедитесь, что на рабочем месте не осталось раскаленных или тлеющих материалов.

рис.10



2.5 ЗАЩИТНЫЙ ГАЗ.

Используйте защитный газ, подходящий для того вида сварки, который вы осуществляете. Убедитесь, что регулятор/расходомер, установленный на баллоне, работает должным образом. Баллон следует предохранять от воздействия тепла.

2.6 ДОПУСТИМЫЙ УРОВЕНЬ ШУМА ПО НОРМАМ 86/188/ПОЛОЖЕНИЕ ЕЭС

При стандартных условиях аппарат для электродуговой сварки не превышает допустимый уровень шума в 80 дБ. Однако, при определенных условиях, например, при использовании высоких параметров сварки уровень шума может превышать допустимый, поэтому рекомендуется надевать наушники.

2.7 ЭЛЕКТРОМАГНИТНАЯ СОВМЕСТИМОСТЬ.

Перед установкой сварочного аппарата для сварки электродом и сварки вольфрамовым электродом в инертном газе, проверьте близлежащую зону, соблюдая следующие ключевые моменты:

1. убедитесь, что около аппарата отсутствуют посторонние кабели источников питания, линии передачи сигналов, телефонные соединительные провода и другое оборудование;
2. убедитесь, что отсутствуют радиоприемники и телевизоры;
3. убедитесь, что отсутствуют компьютеры и другие системы управления;
4. убедитесь, что поблизости нет людей с кардиостимулятором или слуховым аппаратом;
5. проверьте помехоустойчивость приборов, работающих в рабочей зоне сварочного аппарата. Возможно, потребуются дополнительные меры защиты.

Помехи могут быть сокращены следующими способами:

1. если есть помехи в источнике питания, то необходимо установить фильтр-стабилизатор напряжения между электрической сетью и аппаратом;
2. выходные кабели аппарата должны быть укорочены; провода должны лежать

вместе, на земле;

3. после технического обслуживания обязательно закройте все панели аппарата.

2.8 ОКАЗАНИЕ ПЕРВОЙ ПОМОЩИ

Ogni luogo di lavoro deve essere dotato di una cassetta di pronto soccorso e deve essere presente una persona qualificata in cure di primo soccorso, per un aiuto immediato alle persone vittime di uno shock elettrico. Inoltre devono essere disponibili tutti i trattamenti per la cura di bruciature degli occhi e della pelle.

2.8 ОКАЗАНИЕ ПЕРВОЙ ПОМОЩИ

Для оказания первой медицинской помощи пострадавшему от электрошока, необходимо содействие квалифицированного специалиста и наличие соответствующих средств. Также должны быть средства для оказания первой помощи при ожогах кожи и глаз.

ЭКСТРЕННАЯ ПЕРВАЯ ПОМОЩЬ.

Немедленно вызовите скорую помощь или позвоните врачу.

Используйте способы оказания первой помощи, рекомендованные Красным Крестом.

Внимание: при получении электрического шока возможен летальный исход.


Если человек потерял сознание, и вы подозреваете у него электрический шок, не дотрагивайтесь до человека, если он соприкасается со сварочным аппаратом или другими электрическими деталями. Отключите аппарат от сети, и затем оказывайте первую помощь пострадавшему. Сухим деревянным предметом или другим диэлектриком, снимите кабель с пострадавшего.

3.0 КРАТКАЯ ИНФОРМАЦИЯ

Ваш аппарат принадлежит к группе сварочных инвертеров, предназначенных для сварки покрытым электродом, которые используют самую последнюю широтно-импульсную модуляцию и блок питания биполярного транзистора с изолированным затвором (БИЗ) для выдачи оптимальных рабочих характеристик. Постоянный ток на выходе обеспечивает стабильность дуги и не требует ступенчатой регулировки. Все инвертеры оснащены функциями автоматической защиты от перенапряжения, перегрева и сверхтока.

3.1 ТЕХНИЧЕСКИЕ ХАРАКТЕРИСТИКИ

Важно: нижеприведенные данные могут отличаться от данных указанных в табличке на задней панели аппарата.

		105 Amps	135 Amps	160 Amps
	(1 ph)	230V 50/60Hz	230V 50/60Hz	230V 50/60Hz
Power 60%	KVA	2	2,3	3,5
U ₀	V	15	15	15
Amp. Min-Max	A ±10%	5 ÷ 105	5 ÷ 135	5 ÷ 160
Amp. 60974-1	A	25% 105 60% 65	25% 135 60% 85	25% 160 60% 105
Ø E	mm	1,6 ÷ 2,5	1,6 ÷ 3,25	1,6 ÷ 3,25
Insulation	-	H	H	H
Protec. Degree	-	IP22	IP22	IP22

4.0 УСТАНОВКА ОБОРУДОВАНИЯ

Правильная установка аппарата обеспечивает его должное функционирование. Сборка инвертора должна осуществляться квалифицированными рабочими в соответствии с инструкцией и с действующими нормами безопасности.

- Достаньте сварочный аппарат из коробки.

Перед подключением аппарата к электрической сети, убедитесь, что технические характеристики аппарата совпадают с выходным напряжением и частотой электрической сети.

ЗАЗЕМЛЕНИЕ

- Для того чтобы обезопасить рабочих, необходимо заземлить сварочный аппарат в соответствии с международными нормами безопасности.
- Необходимо заземлить аппарат с помощью желто-зеленого провода для того, чтобы избежать разрядов, вызванных случайным соприкосновением с заземленными объектами.
- Шасси (которые являются проводящими) соединены с заземляющим кабелем. Неправильное заземление оборудования может вызвать электрический шок.

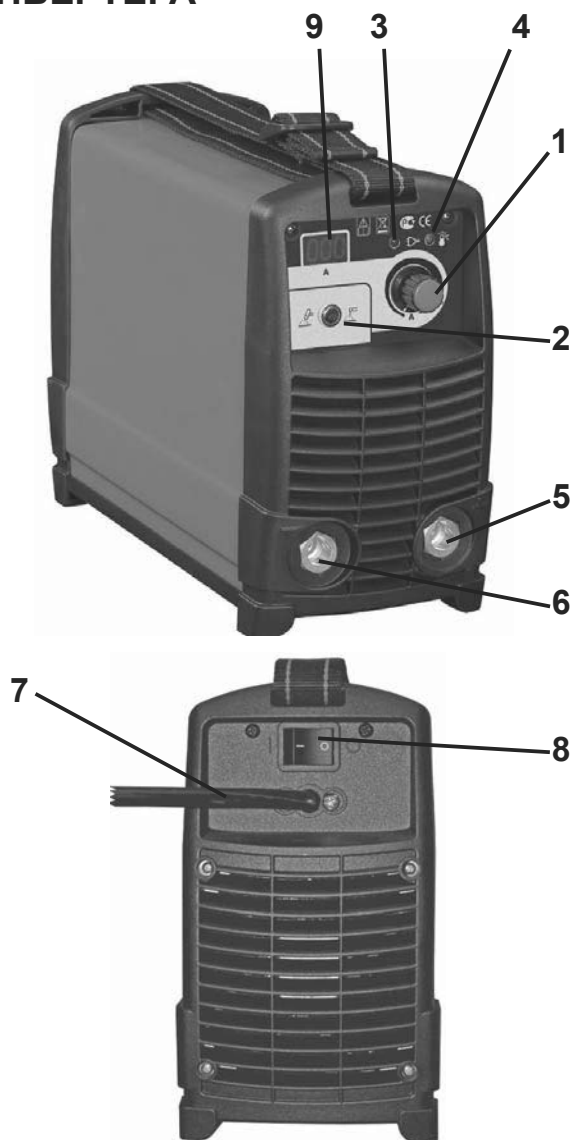
- Подключите инвертор к электрической сети.

Не используйте аппарат с удлинителями длиной более 10 метров и толщиной менее 2.5 мм². Не обматывайте удлинители, не запутывайте и не завязывайте их, держите их на полу. Не эксплуатируйте сварочный аппарат, если боковые панели не закрыты. Это позволит предотвратить случайные контакты с внутренними деталями сварочного аппарата.

- Инвертор готов к эксплуатации. Убедитесь, что сварочные работы проводятся в хорошо проветриваемом помещении. Убедитесь, что вентиляционные отверстия самого аппарата не забиты (недостаточная вентиляция приводит к сокращению

рабочего цикла и может вызвать повреждения аппарата). Теперь выберите вид сварки и включите аппарат, как показано далее.

5.0 ПОДСОЕДИНЕНИЕ И ФУНКЦИИ ИНВЕРТЕРА



1. Потенциометр для регулировки сварочного тока
2. Переключатель Stick / Tig (только для моделей, в которых он присутствует)
3. Зеленая сигнальная лампочка, показывающая, что питание включено (ON). Сигнальная лампочка горит – питание есть. Сигнальная лампочка выключена – питания нет.
4. Желтая сигнальная лампочка. Сигнальная лампочка горит – указывает на превышение температурного предела. Предупреждение: Аппарат должен остыть. Как только аппарат будет готов к эксплуатации, желтая сигнальная лампочка автоматически выключится.
5. Мигающая сигнальная лампочка

– указывает на тревогу, вызванную сверхтоком. Выключите аппарат и включите снова. В случае, если защита от скачков напряжения сработает, аппарат вернется к работе, в противном случае, обратитесь в Ваш сервисный центр.

- 5 Положительный разъем
- 6 Отрицательный разъем
- 7 Кабель питания (retro)
- 8 Выключатель ON/OFF
- 9 дисплей

6.0 ЭЛЕКТРОДНАЯ СВАРКА

ОБЩАЯ ИНФОРМАЦИЯ

Сварочную дугу можно описать как источник яркого света и сильного тепла. В действительности, это поток электрического тока в газовой среде, окружающей электрод и обрабатываемый металл, вызывающий излучение электромагнитных волн, которое ощущается в виде света и/или теплоты в зависимости от длины самих волн. На неощутимом уровне дуга выделяет также ультрафиолетовые и инфракрасные излучения. Выделение ионизирующих излучений никогда не отмечалось. Тепло, выделяемое дугой, используется в сварке для плавления и соединения металлических деталей. Подача необходимого электрического тока обеспечивается специальным оборудованием - сварочным аппаратом.

- Соедините заземляющий кабель с отрицательным разъемом инвертора, а заготовку с заземляющей клеммой.
- Соедините сварочный кабель с положительным разъемом инвертора.
- Установите сварочный ток с помощью потенциометра, установленного на передней панели. Сварочный ток рекомендуется выбирать в соответствии с инструкцией производителя электродов, указанной на коробке. Нижеприведенная информация может также оказаться полезной:

Диаметр электрода	Сварочный ток
1.5 мм	30 А – 40 А
2.0 мм	50 А – 65 А
2.5 мм	70 А – 100 А
3.25 мм	100 А – 140 А
4.0 мм	140 А – 160 А

- Включите инвертор. Две сигнальные лампочки на передней панели означают соответственно: зеленая - включение, желтая – выключение (за более подробной информацией обратитесь к предыдущим страницам). С помощью переключателя на передней панели выберите электродную сварку.

- Наденьте на лицо защитную маску или шлем. Электродом, установленным в электрододержателе, прикасайтесь к заготовке до тех пор, пока не зажжется дуга (данный инвертор имеет функцию «быстрого старта» для обеспечения легкого зажигания дуги).

Не стучите электродом по металлу, поскольку это может испортить покрытие и осложнить зажигание дуги.

- После зажигания дуги подайте электрод в сварочную ванну под углом 60°, продвигаясь слева на право, чтобы визуально контролировать сварочный процесс. Длину сварочной дуги можно изменять при помощи поднятия или опускания электрода. Изменение угла наклона сварки увеличивает размер сварочной ванны, вследствие чего изменяется количество шлака всплывающего на поверхность.

• По окончании сварки дайте шлаку остыть, а потом удалите его с помощью обрубочного молотка.

Предупреждение!

При удалении шлака обрубочным молотком наденьте защитные очки, чтобы предотвратить повреждения глаз.

Предупреждение!

Грязная заготовка, плохое соединение между заземляющим кабелем и заготовкой, плохо закрепленный электрод в электрододержателе могут стать причиной проблем с зажиганием дуги.

7.0 КАЧЕСТВО СВАРКИ

Качество сварки зависит в основном от опыта рабочего, от вида сварки и от качества электрода, поэтому выбирайте подходящий электрод до того, как приступите к сварке, учитывая толщину и состав свариваемых металлов.

Регулировка сварочного тока.

В случае, если ток слишком высокий, то

электрод быстро сгорает; при этом шов получается широкий и неровный. Если ток слишком низкий, то мощность маленькая и шов получается узкий и неровный.

Длина сварочной дуги.

Слишком длинная сварочная дуга вызывает искры и слабое плавление обрабатываемого металла; при слишком короткой дуге электрод прилипает к металлу.

Регулировка скорости сварки.

При правильном выборе скорости сварки шов получается необходимой ширины без деформаций и кратеров.

8.0 СВАРКА ВОЛЬФРАМОВЫМ ЭЛЕКТРОДОМ В ИНЕРТНОМ ГАЗЕ - СВАРКА TIG

При сварке вольфрамовым электродом в инертном газе электрическая дуга зажигается между вольфрамовым электродом горелки и поверхностью заготовки.

Внимание: При сварке вольфрамовым электродом в инертном газе горелка всегда подключена к отрицательной клемме сварочного аппарата.

Подготовка аппарата к эксплуатации:

- Выберите сварку TIG с помощью переключателя на передней панели.

- Подсоедините заземляющий кабель к положительной клемме сварочного аппарата, а клемму заземления к заготовке.

- Соедините горелку TIG с отрицательной клеммой сварочного аппарата, а шланг для подачи газа с регулятором давления газового баллона.

Подача газа регулируется вручную, с помощью шарообразной ручки на стволе горелки. Используйте только инертный газ (аргон).

- Включите инвертор.

9.0 СВАРКА ВОЛЬФРАМОВЫМ ЭЛЕКТРОДОМ В ИНЕРТНОМ ГАЗЕ: ЗАЖИГАНИЕ ДУГИ

- Убедитесь, что электрод вышел из горелки на 4-5мм, и что он имеет угол 40°-60°.

- Установите сварочный ток, учитывая толщину свариваемого металла и диаметр используемого вольфрамового электрода.

- Откройте газовый клапан на ручке горелки, чтобы газ пошел из сопла горелки.
- Накройте лицо защитной маской и поднесите горелку на 3-4 мм от поверхности заготовки под углом 45° , таким образом, чтобы керамическое сопло горелки касалось поверхности заготовки (рис. б). Быстрым движением закоротите вольфрамовый электрод и установите его на прежнем расстоянии 3-4 мм и начинайте сварку. Для того, чтобы прекратить сварку уберите горелку от заготовки.

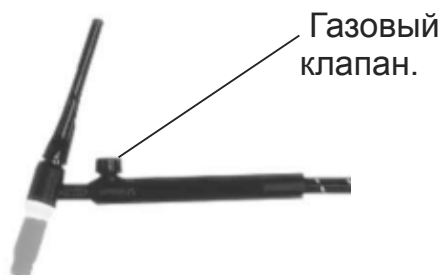
Обязательно выключите подачу газа сразу после окончания сварки.

Для того, чтобы избежать возможных повреждений генератора рекомендуется только квалифицированным рабочим использовать сварку с зажиганием дуги.

Примечания:

- а) Длина дуги должна быть в пределах 3 - 6мм в зависимости от типа сварочного

Рис. А



шва, типа и толщины материала и тд.

- б) Горелка должна двигаться в направлении сварки, без поперечных движений под углом 45° по отношению к заготовке.

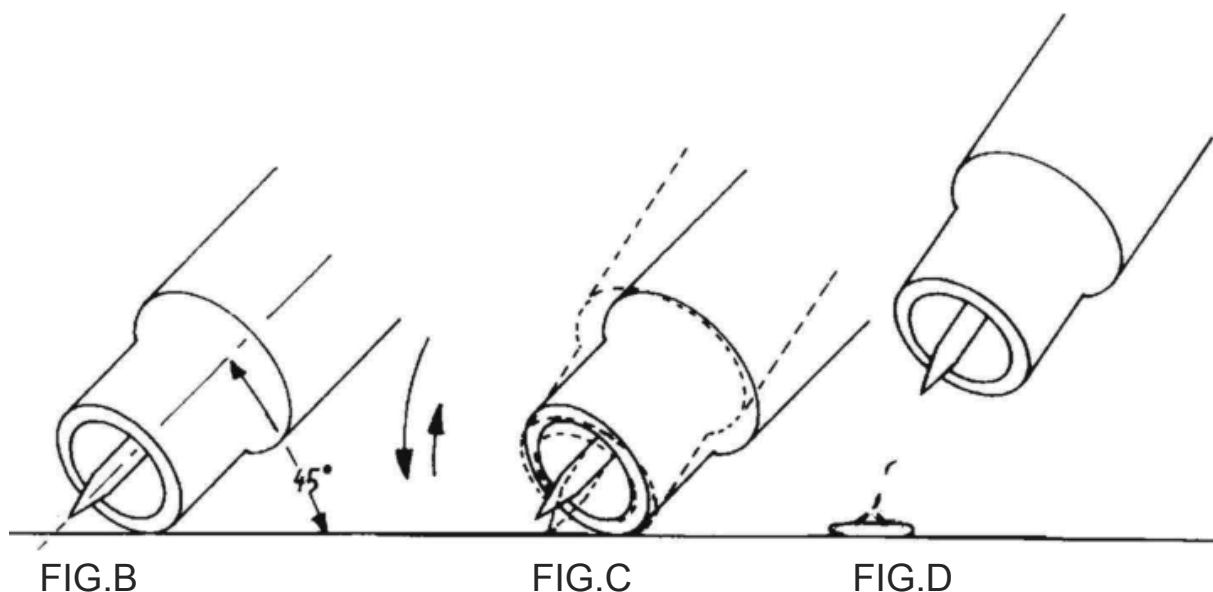
10.0 ТЕХНИЧЕСКОЕ ОБСЛУЖИВАНИЕ

ПРЕДУПРЕЖДЕНИЕ!!!

Перед проведением технического обслуживания отключите аппарат от основного источника питания.

Производительность сварочного аппарата напрямую связана с частотой проведения технического обслуживания. Сварочный аппарат требует тщательного ухода за внутренними деталями. Чем больше пыли в рабочем помещении, тем чаще необходимо проводить техническое обслуживание.

- снимите крышку;
- удалите пыль с внутренних деталей аппарата струей сжатого воздуха при давлении 3кг/см²;
- проверьте все электрические соединения, убедитесь, что все гайки и винты плотно затянуты;
- замените износившиеся детали;
- закройте крышку аппарата;
- после выполнения этих операций аппарат готов к работе в соответствии с инструкциями, описанными в данном руководстве.



11.0 ВОЗМОЖНЫЕ ДЕФЕКТЫ ПРИ СВАРКЕ

ДЕФЕКТ	ПРИЧИНЫ	УСТРАНЕНИЕ
ПОРИСТОСТЬ	Кислотный электрод на стали с высоким содержанием серы Слишком большое колебание электрода Свариваемые детали находятся слишком далеко друг от друга Заготовка холодная.	Используйте основной электрод Сдвиньте свариваемые края ближе друг к другу В начале сварки двигайте электрод медленнее . Понижьте сварочный ток.
ТРЕЩИНЫ	Заготовка грязная (масло, краска, коррозия, оксиды). Слабый сварочный ток.	Очистите рабочую поверхность перед сваркой. Это позволит получить качественный сварочный шов
СЛАБАЯ ПРОВАРИВАЕМОСТЬ	Низкий ток Высокая скорость сварки Обратная полярность Наклон электрода противоположен его движению	Отрегулируйте рабочие параметры и, более качественно проводите подготовку заготовки к сварке
СИЛЬНЫЕ ИСКРЫ	Электрод слишком сильно наклонен	Выправьте наклон электрода
ДЕФЕКТЫ СЕЧЕНИЯ	Установлены неправильные рабочие параметры Скорость прохода не соответствует требуемым рабочим параметрам Не постоянный наклон электрода во время сварки	Следуйте основным правилам сварки
НЕСТАБИЛЬНАЯ ДУГА	Слабый ток	Проверьте состояние электрода и заземление
ЭЛЕКТРОД ПЛАВИТСЯ ПОД УГЛОМ	Сердцевина электрода не отцентрирована Магнитные волны	Замените электрод Соедините два заземляющих провода с противоположных сторон заготовки.

12.0 УСТРАНЕНИЕ НЕИСПРАВНОСТЕЙ

ДЕФЕКТ	ПРИЧИНЫ	УСТРАНЕНИЕ
ИСКРА НЕ ЗАЖИГАЕТСЯ	Плохое соединение Печатная плата инвертера повреждена	Проверьте соединение Свяжитесь с нашим сервисом послепродажного обслуживания
НЕТ ВЫХОДНОГО НАПРЯЖЕНИЯ	Аппарат перегрелся - загорается желтая сигнальная лампочка. Защита от скачков напряжение – зеленая лампочка гаснет Защита от сверхтока – загорается желтая сигнальная лампочка Внутреннее реле повреждено Печатная плата инвертера повреждена	Дождитесь, пока термовыключатель можно будет снова включить. Проверьте исправность электрической сети. Перенастройте аппарат, нажав OFF, подождите 20 секунд, затем включите ON Свяжитесь с нашим сервисом послепродажного обслуживания
НЕПРАВИЛЬНЫЙ ВЫХОДНОЙ ТОК	Потенциометр неисправен Низкое напряжение основного источника питания	Свяжитесь с нашим сервисом послепродажного обслуживания Проверьте исправность электрической сети

