

GB

D

FR

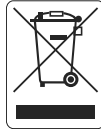
**OPERATING MANUAL**

**BEDIENUNGSANLEITUNG**

**MANUEL D'INSTRUCTIONS**

**THREE-PHASE MIG WELDER  
DREIPHASIGE SCHWEISSGERAETE  
POSTE A SOUDER TRIFASÉ**





### **SMALTIMENTO DI APPARECCHI DA ROTTAMARE DA PARTE DI PRIVATI NELL'UNIONE EUROPEA**

Questo simbolo che appare sul prodotto o sulla confezione indica che il prodotto non deve essere smaltito assieme agli altri rifiuti domestici. Gli utenti devono provvedere allo smaltimento delle apparecchiature da rottamare portandole al luogo di raccolta indicato per il riciclaggio delle apparecchiature elettriche ed elettroniche. La raccolta ed il riciclaggio separati delle apparecchiature da rottamare in fase di smaltimento favoriscono la conservazione delle risorse naturali e garantiscono che tali apparecchiature vengano rottamate nel rispetto dell'ambiente e della tutela della salute. Per ulteriori informazioni sui punti di raccolta delle apparecchiature da rottamare, contattare il proprio comune di residenza, il servizio di smaltimento dei rifiuti locale o il negozio presso il quale è stato acquistato il prodotto.

### **DISPOSAL OF WASTE EQUIPMENT BY USERS IN PRIVATE HOUSEHOLDS IN THE EUROPEAN UNION**

This symbol on the product or on its packaging indicates that this product must not be disposed of with your other household waste. Instead, it is yr responsibility to dispose of yr waste equipment by handing it over to a designated collection point for the recycling of waste electrical and electronic equipment. The separate collection and recycling of yr waste equipment at the time of disposal will help to conserve natural resources and ensure that it is recycled in a manner that protects human health and the environment. For more information about where you can drop off yr waste equipment for recycling, please contact yr local city office, yr household waste disposal service or the shop where you purchased the product.

### **EVACUATION DES ÉQUIPEMENTS USAGÉS PAR LES UTILISATEURS DANS LES FOYERS PRIVÉS AU SEIN DE L'UNION EUROPÉENNE**

La présence de ce symbole sur le produit ou sur son emballage indique que vous ne pouvez pas vous débarrasser de ce produit de la même façon que vos déchets courants. Au contraire, vous êtes responsable de l'évacuation de vos équipements usagés et à cet effet, vous êtes tenu de les remettre à un point de collecte agréé pour le recyclage des équipements électriques et électroniques usagés. Le tri, l'évacuation et le recyclage séparés de vos équipements usagés permettent de préserver les ressources naturelles et de s'assurer que ces équipements sont recyclés dans le respect de la santé humaine et de l'environnement. Pour plus d'informations sur les lieux de collecte des équipements usagés, veuillez contacter votre mairie, votre service de traitement des déchets ménagers ou le magasin où vous avez acheté le produit.

### **ENTSORGUNG VON ELEKTROGERÄTEN DURCH BENUTZER IN PRIVATEN HAUSHALTEN IN DER EU**

Dieses Symbol auf dem Produkt oder dessen Verpackung gibt an, dass das Produkt nicht zusammen mit dem Restmüll entsorgt werden darf. Es obliegt daher Ihrer Verantwortung, das Gerät an einer entsprechenden Stelle für die Entsorgung oder Wiederverwertung von Elektrogeräten aller Art abzugeben (z.B. ein Wertstoffhof). Die separate Sammlung und das Recyceln Ihrer alten Elektrogeräte zum Zeitpunkt ihrer Entsorgung trägt zum Schutz der Umwelt bei und gewährleistet, dass sie auf eine Art und Weise recycelt werden, die keine Gefährdung für die Gesundheit des Menschen und der Umwelt darstellt. Weitere Informationen darüber, wo Sie alte Elektrogeräte zum Recyceln abgeben können, erhalten Sie bei den örtlichen Behörden, Wertstoffhöfen oder dort, wo Sie das Gerät erworben haben.

### **ELIMINACIÓN DE RESIDUOS DE APARATOS ELÉCTRICOS Y ELECTRÓNICOS POR PARTE DE USUARIOS DOMÉSTICOS EN LA UNIÓN EUROPEA**

Este símbolo en el producto o en el embalaje indica que no se puede desechar el producto junto con los residuos domésticos. Por el contrario, si debe eliminar este tipo de residuo, es responsabilidad de usuario entregarlo en un punto de recolección designado de reciclado de aparatos electrónicos y eléctricos. El reciclaje y la recolección por separado de estos residuos en el momento de la eliminación ayudarán a preservar recursos naturales y a garantizar que el reciclaje proteja la salud y el medio ambiente. Si desea información adicional sobre los lugares donde puede dejar estos residuos para su reciclado, póngase en contacto con las autoridades locales de su ciudad, con el servicio de gestión de residuos domésticos o con la tienda donde adquirió el producto.

### **DESCARTE DE EQUIPAMENTOS POR USUÁRIOS EM RESIDÊNCIAS DA UNIÃO EUROPEIA**

Este símbolo no produto ou na embalagem indica que o produto não pode ser descartado junto com o lixo doméstico. No entanto, é sua responsabilidade levar os equipamentos a serem descartados a um ponto de coleta designado para a reciclagem de equipamentos eletro-eletrônicos. A coleta separada e a reciclagem dos equipamentos no momento do descarte ajudam na conservação dos recursos naturais e garantem que os equipamentos serão reciclados de forma a proteger a saúde das pessoas e o meio ambiente. Para obter mais informações sobre onde descartar equipamentos para reciclagem, entre em contacto com o escritório local de sua cidade, o serviço de limpeza pública de seu bairro ou a loja em que adquiriu o produto.





### 1.1 INTRODUCTION

Make sure this manual is carefully read and understood by the welder, and by the maintenance and technical workers.



### 1.2 PERSONAL PROTECTION

Welding processes of any kind can be dangerous not only to the operator but to any person situated near the equipment, if safety and operating rules are not strictly observed.



**Arc rays can injure your eyes and burn your skin. The welding arc produces very bright ultra violet and infra red light. These arc rays will damage your eyes and burn your skin if you are not properly protected.**

- Wear closed, non-flammable protective clothing, without pockets or turned up trousers, gloves and shoes with insulating sole and steel toe. Avoid oily greasy clothing.
- Wear a non-flammable welding helmet with appropriate filter lenses designed so as to shield the neck and the face, also on the sides. Keep protective lens clean and replace them when broken, cracked or spattered. Position a transparent glass between lens and welding area.
- Weld in a closed area that does not open into other working areas.
- Never look at the arc without correct protection to the eyes. Wear safety glasses with the side shields to protect from flying particles.



**Gases and fumes produced during the welding process can be dangerous and hazardous to your health.**

- Adequate local exhaust ventilation must be used in the area. It should be provided through a mobile hood or through a built-in system on the workbench that provides exhaust ventilation from the sides, the front and below, but not from above the bench so as to avoid raising dust and fumes. Local exhaust ventilation must be provided together with adequate general ventilation and air circulation, particularly when work is done in a confined space.
- Welding process must be performed on metal surfaces thoroughly cleaned from rust or paint, to avoid production of harmful fumes. The parts degreased with a solvent must be dried before welding.
- Be very careful when welding any metals which may contain one or more of the following:  
Antimony    Beryllium    Cobalt    Manganese    Selenium    Arsenic    Cadmium  
Copper    Mercury    Silver    Barium    Chromium    Lead    Nickel  
Vanadium
- Remove all chlorinated solvents from the welding area before welding. Certain chlorinated solvents decompose when exposed to ultraviolet radiation to form phosgene gas (nerve gas).



### 1.3 FIRE PREVENTION

**Fire and explosion can be caused by hot slag, sparks or the welding arc.**

- Keep an approved fire extinguisher of the proper size and type in the working area. Inspect it regularly to ensure that it is in proper working order;
- Remove all combustible materials from the working area. If you can not remove them, protect them with fire-proof covers;
- Ventilate welding work areas adequately. Maintain sufficient air flow to prevent accumulation of explosive or toxic concentrations of gases;
- Do not weld on containers that may have held combustibles;
- Always check welding area to make sure it is free of sparks, slag or glowing metal and flames;
- The work area must have a fireproof floor;



### 1.4 ELECTRIC SHOCK

**WARNING: ELECTRIC SHOCK CAN KILL!**

- A person qualified in First Aid techniques should always be present in the working area; If a person is found unconscious and electric shock is suspected, do not touch the person if she or he is in contact with cable or electric wires. Disconnect power from the machine, then use First Aid. Use

## -ENGLISH-

dry wood or other insulating materials to move cables, if necessary away from the person.

- Wear dry gloves and clothing. Insulate yourself from the work piece or other parts of the welding circuit.
- Make sure the main line is properly grounded.
- Do not coil the torch or the ground cables around your body.
- Never touch or come in physical contact with any part of the input current circuit and welding current circuit.

### **Electric warning:**

- Repair or replace all worn or damaged parts.
- Extra care must be taken when working in moist or damp areas.
- Install and maintain equipment according to local regulations.
- Disconnect power supply before performing any service or repair.
- Should you feel the slightest electrical shock, stop any welding immediately and do not use the welder until the fault has been found and corrected.



## **1.5 NOISE**

---

Noise can cause permanent hearing loss. Welding processes can cause noise levels that exceed safe limits. You must protect your ears from loud noise to prevent permanent loss of hearing.

- To protect your hearing from loud noise, wear protective ear plugs and/or ear muffs.
- Noise levels should be measured to be sure the decibels (sound) do not exceed safe levels.

## **1.6 ELECTROMAGNETIC COMPATIBILITY**

---

Before installing your welder, carry out an inspection of the surrounding area, observing the following guidelines:

- Make sure that there are no other power supply cables, control lines, telephone leads or other equipment near the unit.
- Make sure that there are no radio receivers, television appliances, computers or other control systems near the unit.
- People with pace-maker or hearing-prosthesis should keep far from the power source.

**! In particular cases special protection measures may be required.**

Interference can be reduced by following these suggestions:

- If there is interference in the power source line, an E.M.T. filter can be mounted between the power supply and the power source;
- The output cables of the power source should be not too uch long, kept together and connected to ground;
- After the maintenance all the panels of the power source must be securely fastened in place.

## **1.7 PROTECTIVE WELDING GASES**

---

**Shielding gas cylinders contain gas under high pressure. If damaged, a cylinder can explode. Treat them carefully.**

- These welders use only inert or non-flammable gases for welding arc protection. It is important to choose the appropriate gas for the type of welding being performed;
- Do not use gas from unidentified cylinders or damaged cylinders;
- Do not connect the cylinder directly to the welder, use a pressure regulator;
- Make sure the pressure regulator and the gauges function properly;
- Do not lubricate the regulator with oil or grease;
- Each regulator is designed for use with a specific gas. Make sure the regulator is designed for the protective gas being used;
- Make sure that the cylinder is safely secured tightly to the welder with the chain provided.
- Never expose cylinders to excessive heat, sparks, slag or flame;
- Make sure that the gas hose is in good condition;
- Keep the gas hose away from the working area.

## 2.0 INSTALLATION RECOMMENDATIONS



### 2.1 LOCATION

**Be sure to locate the welder according to the following guidelines:**

- In areas, free from moisture and dust;
- Ambient temperature between 0° to 40°C;
- In areas, free from oil, steam and corrosive gases;
- In areas, not subjected to abnormal vibration or shock;
- In areas, not exposed to direct sunlight or rain;
- Place at a distance of 300mm or more from walls or similar that could restrict natural air flow for cooling.

### 2.2 VENTILATION

Since the inhalation of welding fumes can be harmful, ensure that the welding area is effectively ventilated.

### 2.3 MAIN SUPPLY VOLTAGE REQUIREMENTS

Before you make any electrical connection, check that supply voltage and frequency available at site are those stated in the ratings label of your generator.

The main supply voltage should be within  $\pm 10\%$  of the rated main supply voltage. Too low a voltage may cause poor welding performance. Too high a supply voltage will cause components to overheat and possibly fail. The welder Power Source must be:

- Correctly installed, if necessary, by a qualified electrician;
- Correctly grounded (electrically) in accordance with local regulations;
- Connected to the correct size electric circuit.

In case the supply cable is not fitted with a plug, connect a standardized plug (3P+T) to the supply cable (in some models the supply cable is supplied with plug).

To connect the plug to the supply cable, follow these instructions:

- the brown (phase) wire must be connected to the terminal identified by the letter L1
- the blue or grey wire must be connected to the terminal identified by the letter L2
- the black or grey wire must be connected to the terminal identified by the letter L3
- the yellow/green (ground) wire must be connected to the terminal identified by the letter PE or by the symbol  $\perp$ .

In any case, the connection of the yellow/green wire to the PE terminal  $\perp$  must be done in order that in the event of tearing of the power supply cable from the plug, the yellow/green wire should be the last one to be disconnected.

**The outlet should be protected by the proper protection fuses or automatic switches.**

Notes:

- Periodically inspect supply cable for any cracks or exposed wires. If it is not in good conditions, have it repaired by a Service Centre.
- Do not pull violently the input power cable to disconnect it from supply.
- Do not squash the supply cable with other machines, it could be damaged and cause electric shock.
- Keep the supply cable away from heat sources, oils, solvents or sharp edges.
- In case you are using an extension cord, try to keep it well straight and avoid its heating up.

### 2.4 SAFETY INSTRUCTIONS

For your safety, before connecting the power source to the line, closely follow these instructions:

- An adequate two-pole switch must be inserted before the main outlet; this switch must be equipped with time-delay fuses;
- The connection with ground must be made with a two-pole plug compatible with the above mentioned socket;
- When working in a confined space, the power source must be kept outside the welding area and the ground cable should be fixed to the workpiece. Never work in a damp or wet area, in these conditions.
- Do not use damaged input or welding cables
- The welding torch should never be pointed at the operator's or at other persons' body;
- The power source must never be operated without its panels; this could cause serious injury to the operator and could damage the equipment.

### 3.0 VOLTAGE CHANGE

Your generator can be connected at 230/400V three-phase. The generator is set at the factory for a 400V three-phase voltage. For safety double check the sticker placed at the end of the input cable.

Should it became necessary to use an input current at 230V simply follow these instructions (only on models with this option):

- Put the main switch in the "OFF" position, disconnect the supply cable from the mains.
- Remove the right side panel
- Change the connections on the voltage change board, following the instructions on the label (see Fig. 1)
- Make sure that the nuts holding the bridges are securely tightened.
- Re-assemble the right side panel.

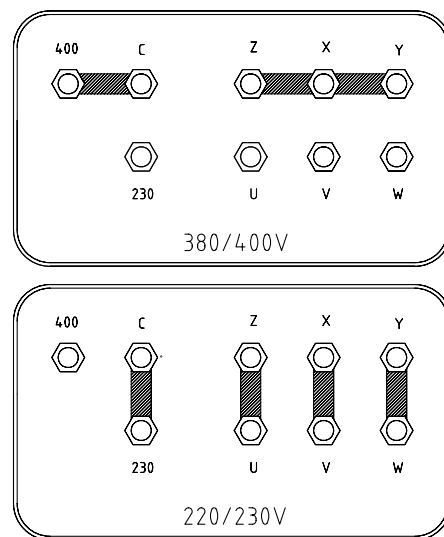


FIG. 1

For safety reasons and to avoid affecting the cooling conditions, do not work with the side panels partially opened or completely removed.

### 4.0 ASSEMBLY

#### 4.1 HANDLE AND WHEELS ASSEMBLY (FIG. 2-3)

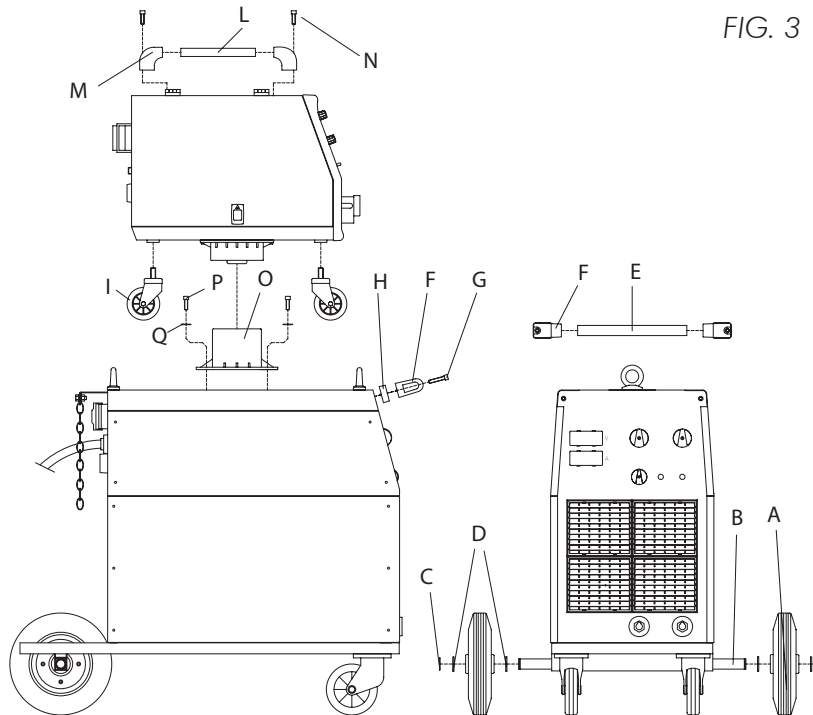
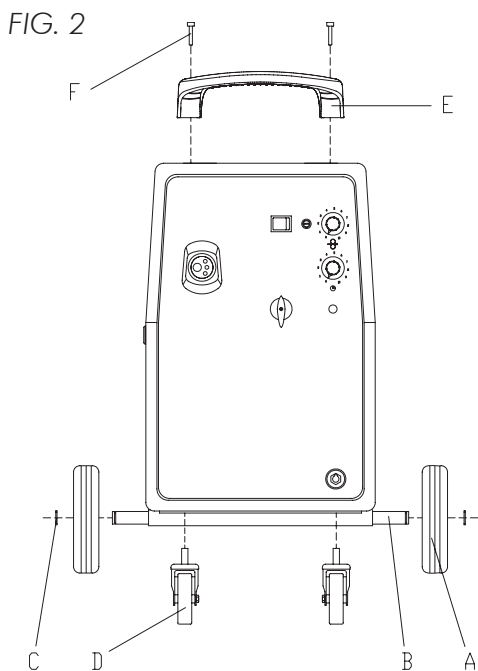


FIG. 2

FIG. 3

- Unpack the welder;
- Screw the two casters (D) to the machine;
- Insert the axle (A) through the holes at the rear of the welder and slide a wheel (B) on to each end followed by the retaining washers (C);
- Assemble the plastic handle (E) using the screws provided (F);

FIG. 3

#### GENERATOR

- Insert the axle (B) through the holes at the rear of the welder, slide the washers (D) and the wheels (A) as shown in picture 3 and fix the wheels (A) using the supplied rings;
- Mount the handle (E) on the supports (F) e fix the together with the spacers (H) to the front panel using the provided screws (G);

#### SEPARATE WIRE FEEDER

- Mount the handle (L) on the supports (M) and fix them using the provided screws (N);
- Screw the four casters (I) to the wire feeder bottom;
- Assemble the rotating support (O) on the top of the generator using the provided washers (Q) and screws (P) and place the wire feeder on it.
- Place the gas cylinder on the cylinder support and fix it with the chain provided: the cylinder must be equipped with pressure regulator. For the connection between the generator and the separate

## -ENGLISH-

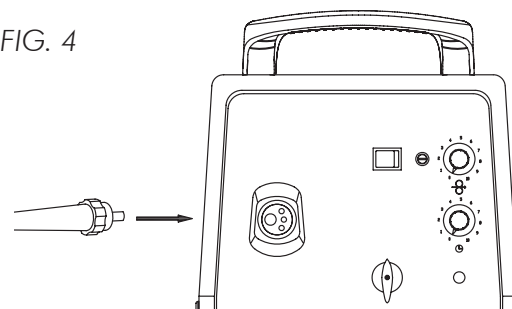
wire feeder use the interconnection cables provided.

- Place the power source in a well ventilated area: dust, grit or any other thing that may obstruct the air intake and output vents can prevent the ventilation and good operation of the welder.

### 4.2 TORCH LEAD ASSEMBLY – EURO CONNECTION (FIG.4)

- Plug the torch hose into the socket on the front of the welder and secure by hand screwing in the threaded connection.

FIG. 4



### 4.3 TORCH LEAD ASSEMBLY – DIRECT CONNECTION (FIG. 5)

- Before fitting the torch hose assembly (7) on the machine remove the nut (1) and the washer (2). Then, measure the length of the liner from the brass nut (10). This measurement should be a maximum of 20mm, and should be carefully trimmed to this length using a good pair of side cutters, or similar, ensuring there are no burrs or sharp edges which may impede the progress of the wire when fitted.
- Carefully feed the hose assembly (7) through the hole in the front face of the welder, taking care to feed the electrical connector (14) through at the same time. Then connect them to the wire feeder.
- Then insert also the threaded terminal ring (3), the power cable terminal, the washer (2) and screw on the nut (1) tightly.
- Fit the plastic cover (15) over the bracket assembly (4) securing with the two self-tapping screws provided.
- Connect the gas hose (12) to the gas hose nipple (6) securing with the hose clamps supplied (13).
- Make the electrical connections by joining connectors (11-14)

**Note: when correctly assembled the wire liner (9) must be at 2-3 mm distance from the point of contact between the upper and lower roll.**

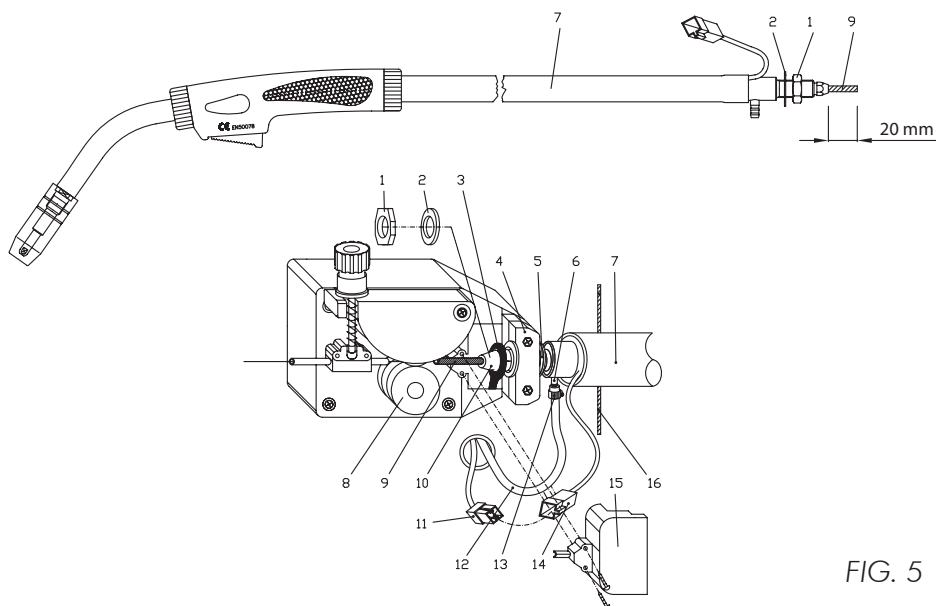


FIG. 5

## 5.0 COOLING UNIT AND INTERCONNECTION CABLE

Water cooling unit is a device used to cool the welding torch, if required by the welding you are performing. Using a pump, a water recirculation system between the torch and the cooling unit is created.

### 5.1 ASSEMBLY

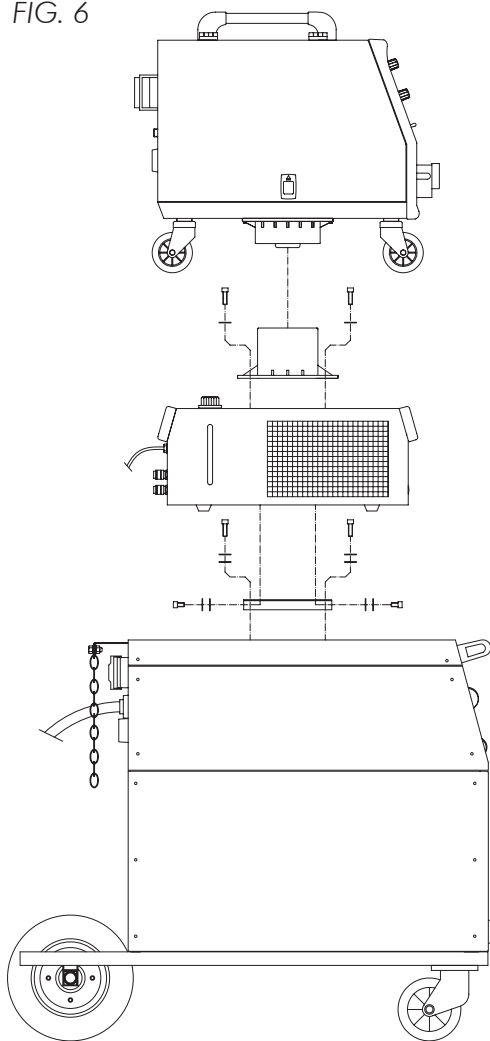
Fix the cooling unit support to the generator upper panel, place the cooling unit on the support and fix it. Then, fasten the wire feeder rotating support to the cooling unit cover. (see Fig. 6)

**These connections must be done by qualified workers, making sure that the generator is not connected to the mains.**

### 5.2 CONNECTIONS

- Remove the right top panel of generator: next to the generator rear there is a terminal board to which the cooling unit must be connected.

FIG. 6



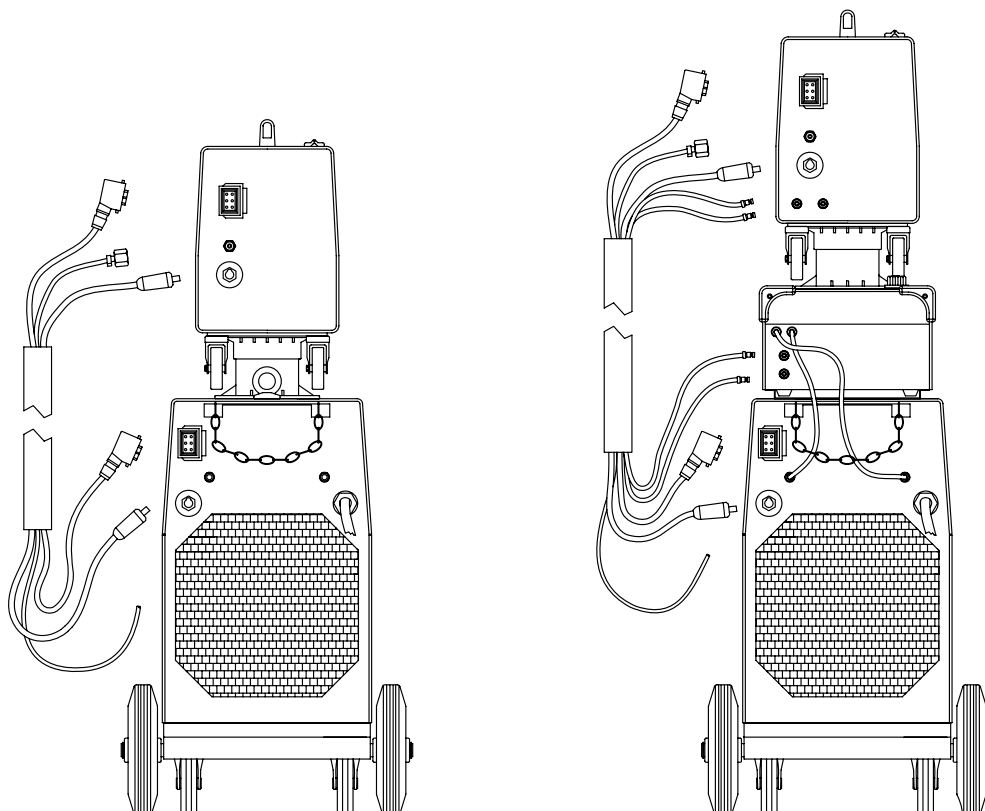
## -ENGLISH-

- Make the cooling unit connection cables go through the cable clamps placed on the generator rear. Remove the bridge between PS-PS contacts, then connect the cooling unit safety device (pressure switch) cable to them (this cable is easy to recognize, since it has just two wires).
  - Then, carefully connect the cooling unit power cable (three wires cable) to the terminal board.
  - Extra care must be taken, since both 230V and 400V cooling units can be connected to it.
  - Before connecting the power cable, check the cooling unit voltage on the rating plate. After having connected the cables, tighten the cable clamps.
  - Reassemble the right top panel
  - Interconnect the wire feeder to the generator and the cooling unit, following cooling fluid input and output instructions (Fig.6A).
  - Before switching on the water cooler, check on the notch scale that tank is filled with coolant. Fill it up with distilled water adding ethylene antifreeze.
- Important: Do NOT use the water cooler without coolant, this may cause damages to the glands. Use only ethylenic anti-freeze liquid, do NOT use liquids with polypropylenic base.**
- Connect the torch to the euro connector, and torch cooling pipes to the fast connectors placed on the cooling unit front, following cooling fluid input and output instructions.
  - Now connect the generator to the mains and check if cooling unit is working correctly.

On the cooling unit front there are the following devices:

- Unit power switch
  - Protection fuse
  - Orange pilot light: when it is on, it indicates that there is a lack of pressure in the cooling circuit and welding is not allowed.
- Please note that if cooling fluid doesn't circulate welding is not allowed: this may happen if there is not enough fluid in the system, or if you are using a torch that is not water cooled.

FIG. 6A



## 6.0 GAS CYLINDER AND REGULATOR CONNECTION

**! WARNING: Cylinders are highly pressurized. Handle with care. Serious accidents can result from improper handling or misuse of compressed gas cylinders. Do not drop the cylinder, knock it over, expose it to excessive heat, flames or sparks. Do not strike it against other cylinders.**

The bottle (not supplied) should be located at the rear of the welder, securely held in position by the chain provided.

For safety, and economy, ensure that the regulator is fully closed, (turned counter-clockwise) when not welding and when fitting or removing the gas cylinder.

- Turn the regulator adjustment knob counter-clock wise to ensure the valve is fully closed.
- Screw the gas regulator fully down on the gas bottle valve, and fully tighten.
- Connect the gas hose to the regulator securing with clip/nut provided.
- Open the cylinder valve, then set the gas flow to approx. 8l/min. on the regulator.
- Operate the torch trigger to ensure that the gas is flowing through the torch.

MATERIAL TO WELD	GAS CYLINDER	WIRE
Mild steel	Argon + CO <sub>2</sub> cylinder or CO <sub>2</sub> cylinder	Copper coated mild steel wire spool. For no gas welding use flux-cored wire spool
Stainless steel	Argon cylinder	Stainless steel wire spool.
Aluminium	Argon cylinder	Aluminium wire spool

## 7.0 LOADING WIRE

Your Mig welder is designed to accept either 5kg or 15kg wire spools.

Wire spools aren't supplied with the unit and must be purchased separately.

**! Ensure the gas and electrical supplies are disconnected. Before proceeding, remove the nozzle and the contact tip from the torch.**

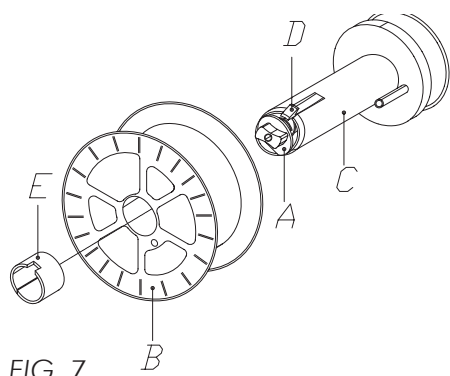


FIG. 7

SPOOL HOLDER AS FIG. 7 - 7A

- Open the side panel. Loosen the nut (A) of the spool holder (position 1) (brake drum). Remove the spacer (E, if present). In the case you are replacing the wire spool, extract it by pushing the snap tongue (D) (Fig 7).
- Remove the plastic protection from the spool. Place it on the spool holder. Mount the spacers again (E/F, only for 5kg spools; the smaller spacer E must be mounted between the spool and the spool holder). Then tighten the lock nut (A) turning it to position 2. (Fig. 7).

**Your Mig welder can also accept 100 mm diameter wire spools. For the mounting follow these instructions:**

- Remove the wire spool (B) from the spool holder (C).
- Loosen the nut (A), remove the spring and the washer; remove the spool holder (C) from the pivot.
- Insert on the pivot the 100mm diameter wire spool; Mount the washer, the spacer (G) and the spring.
- Tighten the lock nut (A).

**! Tighten nut (A) to appropriate tightness. Excessive pressure strains the wire feeding motor. Too little pressure does not allow the immediate stop of the wire spool at the end of the welding.**

SPOOL HOLDER AS FIG. 8

- Open the side panel. Loosen the nut of the spool holder.
- Remove the plastic protection from the spool. Place it on the spool holder and fix it tightening the nut.

**! Tighten nut to appropriate tightness. Excessive pressure strains the wire feeding motor. Too little pressure does not allow the immediate stop of the wire spool at the end of the welding.**

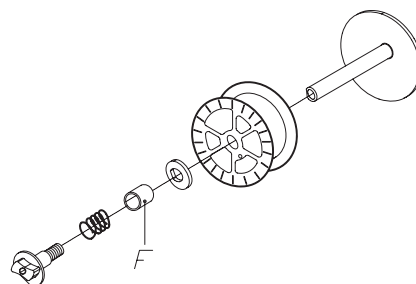


FIG. 7A

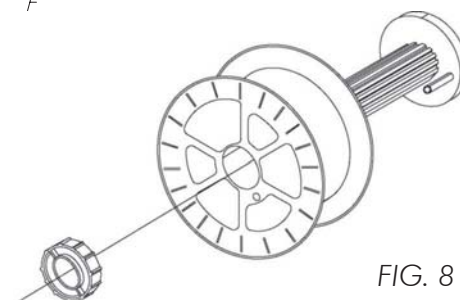


FIG. 8

## -ENGLISH-

- Loosen and lower the plastic knob (A) (Fig.9). Open the pressure arm (B) of the feeder. Extract the wire from the torch liner (E).
- When the wire is disconnected, grasp it with pliers so that it cannot exit from the spool. If necessary, straighten it before inserting it in the wire input guide (C). Insert the wire on the lower roll (D) and in the torch liner (E).



**WARNING: keep the torch straight. When feeding a new wire through the liner, make sure the wire is cut cleanly (no burrs or angles) and that at least 2 cm from the end is straight (no curves). Failure to follow these instructions could cause damage to the liner.**

- Lower the pressure arm (B) and place the knob (A). Tighten slightly. If tightened too much, the wire gets locked and could cause motor damage. If not tighten enough, the rolls will not feed the wire.

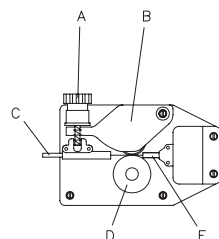


**WARNING: When changing the wire diameter being used, or replacing the wire feed roll, be sure that the correct groove for the wire diameter selected is inside, closest to the machine. The wire is driven by the inside groove. Feed rolls are marked on the side identifying the groove nearest that side.**

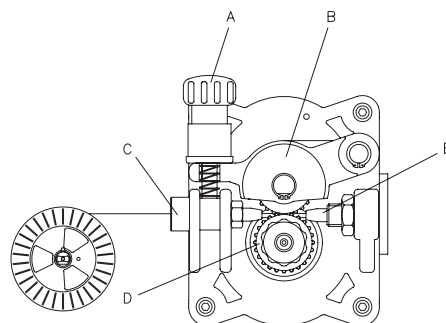
- Close the side panel of the machine. Connect the power supply cable to the power output line. Turn on the switch. Press the torch switch. The wire fed by the wire feeding motor at variable speed must slide through the liner. When it exits from the torch neck, release the torch switch. Turn off the machine. Mount the contact tip and the nozzle.

**When checking the correct exit of the wire from the torch do not bring your face near the torch, you may run the risk to be wounded by the outgoing wire. Do not bring your fingers close to the feeding mechanism when working! The rolls, when moving, may crush the fingers. Periodically, check the rolls. Replace them when they are worn and compromise the regular feeding of the wire.**

PLASTIC WIRE FEEDER



PLASTIC/ALUMINIUM WIRE FEEDER



ALUMINIUM WIRE FEEDER

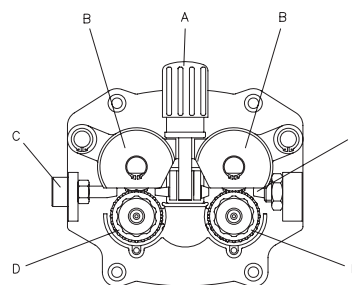


FIG. 9

## 8.0

## REPLACING THE WIRE LINER

**Before performing this procedure, ensure the gas and electrical supplies are disconnected.**

The procedure to follow for replacing the wire liner depends upon the torch connection type of your welder.

- Open the side panel. Loosen and lower the plastic knob (A) and release the pressure arm (B) (Fig. 9). Cut the wire (in the case it is installed) grasp it with pliers so that it cannot exit from the spool and fix it on the suitable hole in the reel. Remove the nozzle and contact tip. Remove with pliers the wire from the hose and torch assembly.

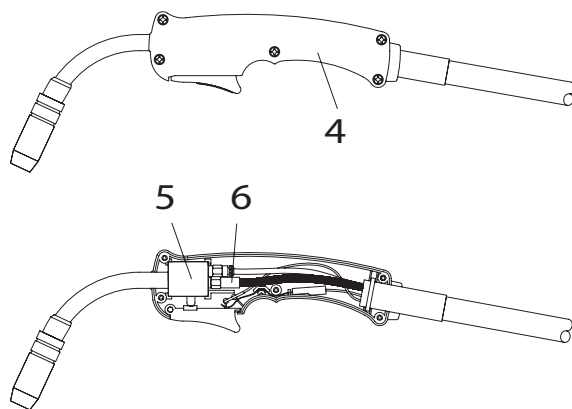
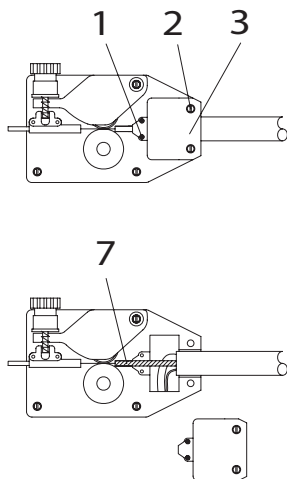


FIG. 10

**If the torch is already mounted connected and has a gas valve on the handle (Fig. 10):**

- Remove the screws (1-2) securing the torch support bracket (3).

## -ENGLISH-

- Hold the torch on its side, on a flat surface and carefully remove the upper cover by unscrewing the securing screws (4). Take care not to disturb the components within, so that you can take note of their exact position.
- Lift out the gas valve (5) and disconnect the liner from its quick fit coupling (7) by pushing in.
- Straighten the torch hose and pull the liner completely out of the hose.
- Thread the new liner into the hose from the torch. Push the end of the liner firmly into the quick fit coupling on the gas valve (5).
- Re-assemble the torch, taking care to ensure that all the components are correctly seated. Do not force the two halves of the handle together, ensure that the dowel is lined up before tightening the screws.
- Replace the torch in the torch support bracket (3).
- Mount the upper cover (3) of the torch by fixing the screws (1-2).
- Measure the wire liner and trim it back, using a good pair of side cutters, so that there is no more of 2mm gap (7) between the end of the liner and the feed roller. Take care to ensure there are no burrs or sharp edges which may impede the progress of the wire when fitted.
- Install the wire into the feeding system and close the side panel.

### **In case of direct connection (Fig.11) :**

- Remove the screws (1) securing the torch support bracket (2).
- Unscrew the brass nut (3) from the torch hose end and remove the torch from its place.
- Remove the nozzle and the contact tip.
- Pull the liner (4) out of the hose.
- Thread the new liner into the hose to the torch neck.
- Replace the torch where it was.
- Mount the brass nut (3) and the plastic support bracket (2) again.
- Measure the wire liner and trim it back, using a good pair of side cutters, so that there is no more of 2mm gap between the end of the liner and the feed roller. Take care to ensure there are no burrs or sharp edges which may impede the progress of the wire when fitted.
- Install the wire into the feeding system, mount the nozzle and the contact tip again and close the side panel.

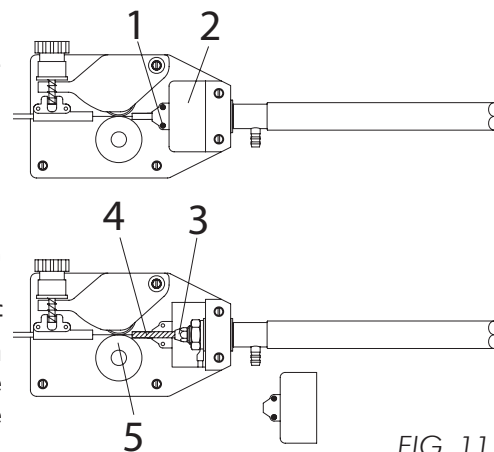


FIG. 11

### **Euro Connection (Fig.12):**

- Disconnect the torch from the machine.
- Place it on a flat surface and carefully remove the brass nut (1).
- Pull the liner out of the hose.
- Install the new liner and mount the brass nut (1) again.
- In case you are replacing a Teflon wire liner, follow these instructions:
- Install the new liner and take care to insert also the O ring (3) on the wire liner collet (4).
- Install the collet on the wire liner and replace the brass nut (1).
- Cut the wire liner close to the brass nut

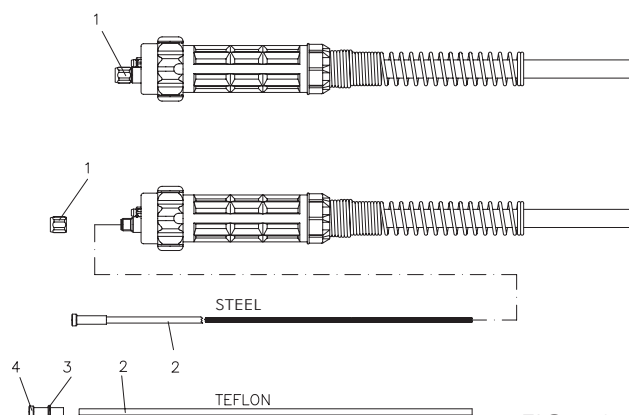


FIG. 12

**Warning: the length of the new wire liner must be the same of the liner you have just pulled out of the hose.**

- Connect the torch to the machine and install the wire into the feeding system.

## **8.1 HOW TO CHOOSE THE WIRE LINER FOR DIRECT AND EURO CONNECTION TORCHES**

Mainly we can have 2 types of wire liners: Steel wire liners and Teflon wire liners.

- The steel wire liners can be coated or not coated: the coated wire liners are used for air cooled torches; the wire liners which are not coated are used for water cooled torches.
- The Teflon wire liners are suggested for the welding of Aluminium, as they allow a smooth feeding of the wire.

Colour	BLUE	RED	YELLOW
Diameter	Ø 0,6-0,9	Ø 1,0-1,2	Ø 1,2-1,6

9.0

WELDER CONTROLS

FIG. 13

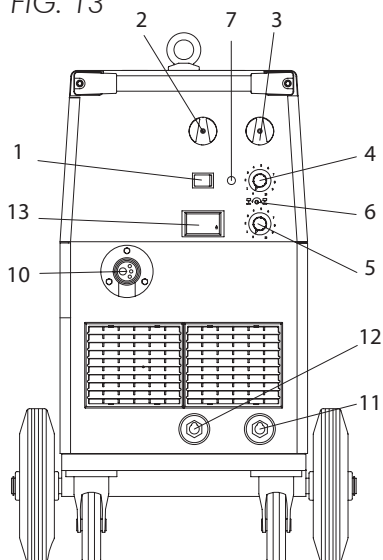


FIG. 14

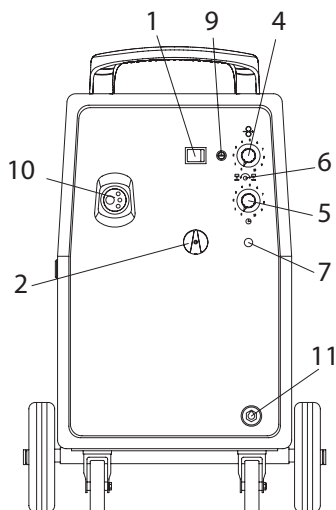


FIG. 15

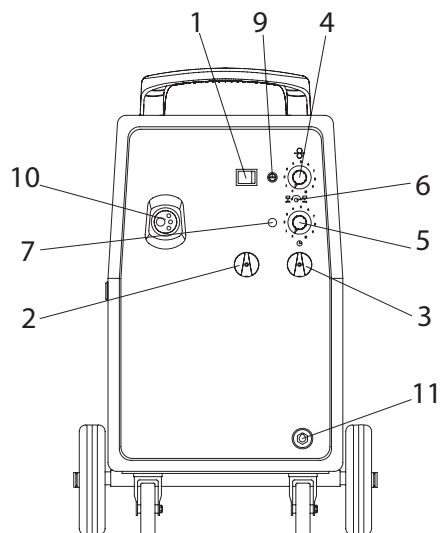


FIG. 16

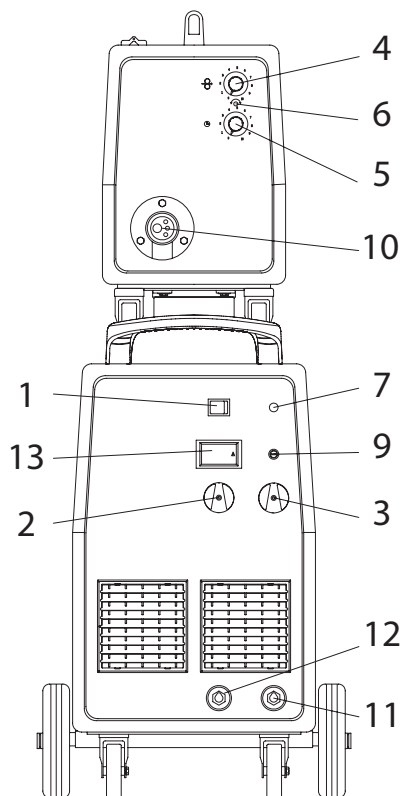


FIG. 17

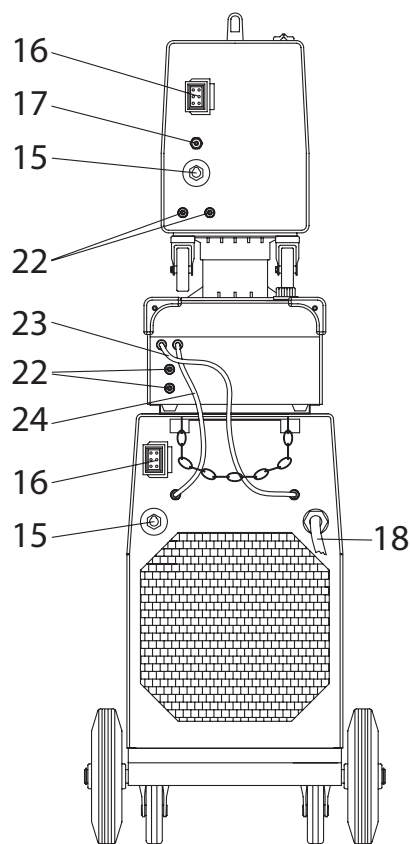
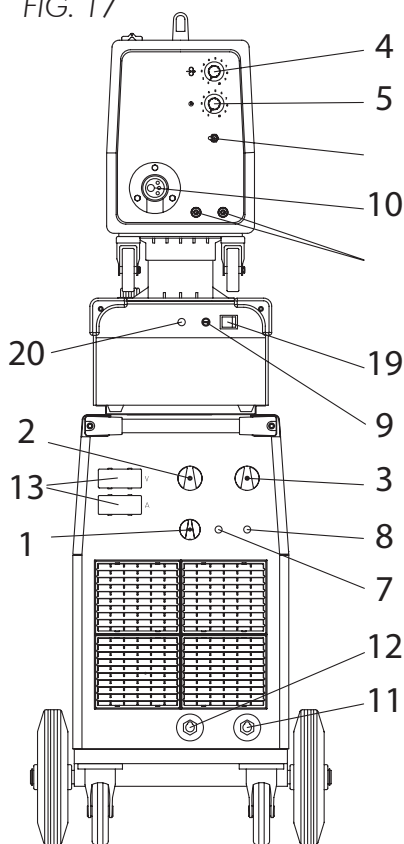


FIG. 18

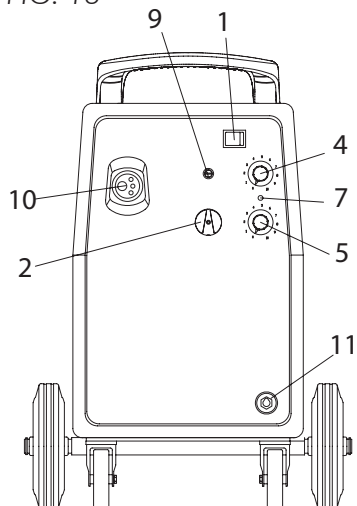
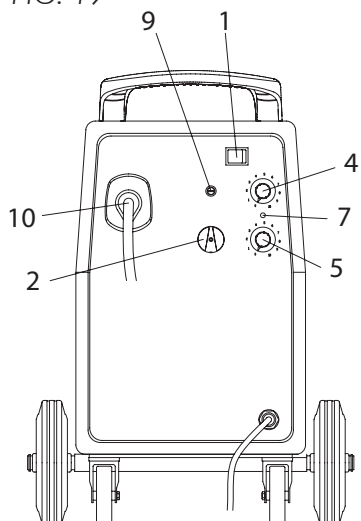



FIG. 19



## -ENGLISH-

**1 Main ON/OFF switch.** Generator main switch. In some models, this green led lights up when the machine is switched on.

**2  Welding voltage selector switch.** 6-7-8 positions (fine selector switch for models with 2 switches)

**3  Welding voltage selector switch.** 2-3-4-6 positions (coarse selector switch)

**4 Wire speed control knob.** Turn it to increase or decrease the wire speed.

**5 Timer for spot welding.**

This potentiometer permits the adjustment of the spot welding time; you can produce welding spots or beads, which will automatically stop according to the time you have set. To activate the timer, turn it clockwise; to deactivate it turn it counter-clockwise, until you hear a "click".

**6 B.B.T. (Burn Back Time)**

When releasing the torch trigger the machine will work for a very short time. This function allows avoiding the burning of the wire and the consequent sticking of this to the contact tip. By turning the B.B.T. potentiometer clockwise/counter-clockwise, the wire which is exiting from the torch at the end of the welding will become shorter or longer. In some models with separate wire feeder the B.B.T. potentiometer is placed in the spool holder compartment of the wire feeder (above the wire feeder motor).

**7 Over temperature pilot lamp (orange).**

This pilot lamp will light if the over temperature thermostat operates. During an over temperature condition, the output of the power source will be disabled, but the fan should continue to operate to cool the machine. The pilot lamp will automatically extinguish after the machine has cooled sufficiently. Then, you will be able to work again.

**8 Power on led (green).** It lights on when the generator is powered.

**9 Auxiliary circuits protection fuses.**

In some models with internal wire feeder the fuses are placed in the spool holder compartment, above the wire feeder motor. In some models with separate wire feeder the fuses are placed inside the generator.

**10 Torch connection** (Euro connection or direct connection)

**11 Negative terminal (  ) low impedance.**

connection point for the ground cable: low impedance is suggested for thin welding wires.

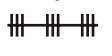
**12 Negative terminal (  ) high impedance.**


connection point for the ground cable: low impedance is suggested for thick welding wires.

**13 Digital instrument.**

Some models just have the ammeter, while some others have both ammeter and voltmeter. In some models with separate wire feeder, after welding, the display will show (for a few seconds) the real welding current.

**14 Manual / automatic selector.**

- **manual**= 2 times welding:  the welding process starts when we press the torch trigger and stops when we release it.

- **automatic**= 4 times welding:  the welding process starts when we press the torch trigger (after a pre-gas time) and continues even if we release the torch trigger; the process stops when you press and release again the torch trigger (after a post gas time).

**15 Positive terminal.** Connection point for the power cable of the interconnection cable.

**16 Six poles connection.** Connection point for cable interconnection 6 poles connector.

**17 Gas hose connection.** Connection point for the gas hose of the interconnection cable.

**18 Generator power cable**

**19 ON/OFF switch.** Cooling unit main switch. This green lamp lights on when the cooling unit is powered.

**20 Missing cooling fluid.**

## -ENGLISH-

If this lamp lights up, it means that you have to add cooling fluid to the system

### 21 Fast connections.

They are placed on the front of the wire feeder. The torch cooling pipes are connected to these fast connections.

### 22 Fast connections.

They are placed on the rear of the wire feeder and on the rear of the cooling unit; the interconnection pipes are connected to these fast connections.

### 23 Cooling unit power cable.

### 24 Cable for the connection of the cooling unit safety device (pressure switch).

## 10.0

## SPOT WELDING

**Only for models fitted with timer for spot welding.**

It is possible to spot weld two sheets of up to 0,8mm thickness mild steel by replacing the torch gas nozzle with a spot welding nozzle (not supplied). Select the spot welding function by adjusting the timer . Place two sheets one upon another; place the nozzle on the upper sheet and then press the torch trigger ensuring that the sheets are in contact. Press the trigger to spot weld the first sheet to the second one. The spot welding will automatically stop when the adjusted time has passed. For spot welding, the machine must be set at maximum current and maximum wire speed. It is advisable to use 0,8mm  $\varnothing$  wire.

## 11.0

## ALUMINIUM WELDING

The machine will be set up as for mild steel except for the following changes:

- 100% ARGON as welding protective gas.
- Ensure that your torch is set up for aluminium welding:
  1. The length of the torch cable should not exceed 3m (it is advisable not to use longer torches).
  2. Install a teflon wire liner (follow the instructions for the renewing of the wire liner at paragraph 8).
  3. Ensure that drive rolls are suitable for aluminium wire.
- Use contact tips that are suitable for aluminium wire and make sure that the diameter of the contact tip hole corresponds to the wire diameter that is going to be used.

## 12.0

## PREPARATION FOR WELDING

**WARNING: make sure the polarity is correctly set. For GAS welding the torch must be connected to the positive terminal (+), while the ground cable must be connected to the negative terminal (-).**

**For NO GAS welding the torch must be connected to the negative terminal (-), while the ground cable must be connected to the positive terminal (+).**

**In GAS welding, to avoid the oxidation of the weld puddle, we need a shielding gas. In NO GAS welding the protection is given by the flux cored wire.**

- Connect the ground cable to the proper female outlet on the bottom right-hand corner of the welder (on some models the ground cable is already connected).
- Attach the ground clamp to the bare metal to be welded, making sure of good contact;
- Make sure that the wire-roller groove in the roller corresponds to the diameter of the wire being used. Refer to paragraph 7.
- Plug the machine to a suitable outlet.
- Open the gas valve on the gas cylinder regulator, (turn knob counter-clockwise) and adjust the flow rate using the regulator knob (turn it counter-clock wise to decrease the gas flow; turn it clockwise to increase the gas flow). Note: The gas flow may need adjustments in order to obtain a better welding, this depends on the type and thickness of the metal and on the welding current.

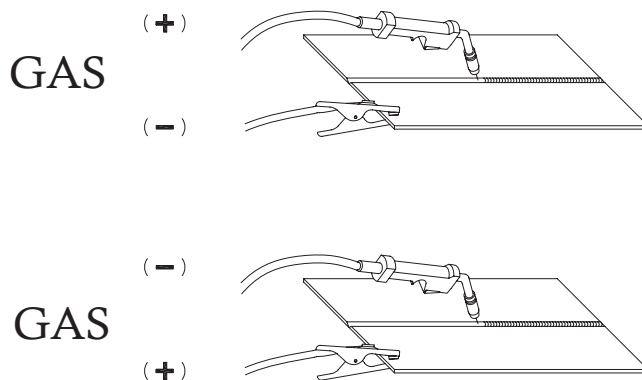


FIG. 20

## **13.0 OPERATION**

A certain experience is required to adjust and use a Mig power source. In Mig welding two parameters are fundamental: the welding voltage and the wire speed. The resulting welding current is a result of these two settings.

- Set the voltage and wire feed controls to positions suitable for the thicknesses of the material to be welded.
- Welding current varies in relationship to wire speed. For low welding current output, the wire speed control knob should be set at the low end of the wire feed speed scale.
- Turning the wire speed control knob clockwise, will result in increased wire feed speed and welding current. Welding voltage must be adjusted to match the wire feed speed (welding current).
- Progressively select higher voltage positions, while increasing the wire speed.

Increase of the welding voltage, at the same wire speed, leads to a longer arc (without substantially affecting the current). Conversely, a decreased welding voltage results in a shorter arc (the current again is not substantially changed).

A change in wire diameter results in changed parameters. A smaller diameter wire requires an increase in wire feed speed to reach the same current. But be careful: If certain limits are exceeded, a satisfactory weld cannot be obtained:

- A) A too high wire feed speed (too high with regard to the welding voltage) results in pulsing within the torch. This is because the wire dips into the puddle and cannot be melted off fast enough. This will cause excessive spatter,
- B) A too high welding voltage (too high with regard to the wire feed speed), will result in excessive and unstable arc. By increasing still further the voltage, the contact tip will burn.
- C) In any case, an excessive wire speed can be corrected through the arc voltage increase. The limit of this operation depends on the thickness of the material to weld (a certain limit exceeded will result in the perforation). Place the torch over the seam to be welded holding it at approximately a 45° angle, with the nozzle at 5 mm distance from the piece to be welded. Lower the shielding helmet and press the welding torch trigger to initiate an arc. As the arc has struck, move the torch from a left to right direction, slowly along the seam at a constant speed.
- Using the wire speed control knob, adjust for a "crisp" sounding arc: experience will help to recognize the right "sound" of the arc.

## **14.0 TECHNICAL DATA INFORMATION GUIDE**

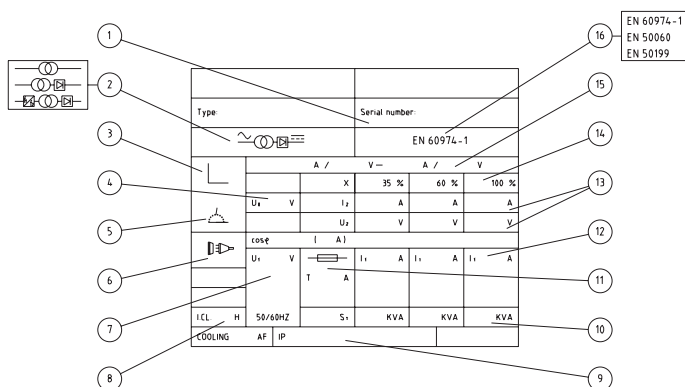


FIG. 21

- 1 Serial Number of the unit
- 2 Power source model
- 3 Type of characteristic
- 4 Min. - Max rated No Load Voltage
- 5 Type of welding
- 6 Symbol for the main supply and no. of phases
- 7 Rated value of the supply voltage
- 8 Code letter for degree of insulation
- 9 Protection degree
- 10 Power
- 11 Size of the necessary main fuse
- 12 Supply current
- 13 Welding supply and voltage
- 14 Power Factor
- 15 Control range (current / voltage)
- 16 Reference standard

## 15.0 PROTECTION GASES GUIDE

METALLO	GAS	NOTE
Mild steel	CO2 Argon + CO2 Argon + CO2 + Oxygen	Argon controls spatters Oxygen improves arc stability
Aluminium	Argon Argon + Helium	Arc stability, good fusion and minimum spatter. Higher heat input suitable for heavy sections. Minimum porosity.
Stainless steel	Argon + CO2 + Oxygen Argon + Oxygen	Arc stability. Minimum spatter.
Copper, Nickel and Alloys	Argon Argon + Helium	Suitable for light gauges because of low flowability of the weld pool. Higher heat input suitable for heavy sections.

**Contact the technical service of your gas supplier to know the percentages of the different gases which are the most suitable to your application.**

## 16.0 WELDING HINTS AND MAINTENANCE

- Always weld clean, dry and well prepared material.
  - Hold gun at a 45° angle to the workpiece with nozzle about 5 mm from the surface.
  - Move the gun smoothly and steadily as you weld.
  - Avoid welding in very drafty areas. A weak pitted and porous weld will result due to air blowing away the protective welding gas.
  - Keep wire and wire liner clean. Do not use rusty wire.
  - Sharp bends or kinks on the welding cable should be avoided.
  - Always try to avoid getting particles of metal inside the machine since they could cause short circuits.
  - If available, use compressed air to periodically clean the hose liner when changing wire spools
- IMPORTANT: Disconnect from power source when carrying out this operation.**
- Using low pressure air (3/5 Bar=20-30 PSI), occasionally blow the dust from the inside of the welder. This keeps the machine running cooler. Note: do not blow air over the printed circuit board and electronic components.
  - The wire feed roller will eventually wear during normal use. With the correct tension the pressure roller must feed the wire without slipping. If the pressure roller and the wire feed roller make contact (when the wire is in place between them), the wire feed roller must be replaced.
  - Check all cables periodically. They must be in good condition and not cracked.

*This chart will assist you in resolving common problems you may encounter. These are not all the possible solutions.*

<b>PROBLEM</b>	<b>POSSIBLE CAUSE</b>	<b>POSSIBLE SOLUTION</b>
No "life" from welder	Input cable or plug malfunction. Wrong size fuse.	Check for proper input cable connection Check fuse and replace as necessary
Fan operates normally, but when gun trigger pulled, there is no wire feed, weld output or gas flow	Faulty trigger on gun Thermostat intervention	Replace torch trigger Allow welder to cool. The extinguishing of the pilot lamp / switch on the front panel indicates the thermostat has closed.
Feed motor operates but wire will not feed	Faulty wire feeding motor (rare) Insufficient feed roller pressure Burr on end of wire Liner blocked or damaged	Replace wire feeding motor Increase roller pressure Re-cut wire square with no burr Clear with compressed air or replace liner
Lack of penetration	Voltage or wire feed speed too low. Loose connection inside the machine (rare). Worn or wrong size contact tip. Loose gun connection or faulty gun assembly Wrong size wire. Torch moved too fast.	Re-adjust the welding parameters. Clear with compressed air and tighten all connections. Replace the contact tip. Tighten or replace torch. Use correct size welding wire. Move the gun smoothly and not too fast.
Wire is birdnesting at the drive roller	Excessive pressure on drive roller Gun liner worn or damaged Contact tip clogged or damaged Liner stretched or too long	Adjust pressure on drive roller. Replace wire liner Replace contact tip Cut wire liner at the right length
Wire burns back to contact tip	Contact tip clogged or damaged Wire feed speed too slow Wrong size contact tip Bad connection from cable to clamp Slag buildup inside nozzle or nozzle is shorted.	Replace the contact tip Increase wire speed Use correct size contact tip. Tighten connection or replace cable. Clean or replace nozzle.
Workpiece clamp and/or cable gets hot.	Wire feed speed too fast	Decrease wire feed speed

## -ENGLISH-

Gun nozzle arcs to work surface.	Nozzle clogged	Clean or replace nozzle
Wire pushes torch back from the workpiece	Torch held too far from the workpiece	Hold the torch at the right distance
Poor quality welds	Insufficient gas at weld area	Check that the gas is not being blown away by drafts and if so move to more sheltered weld area. If not check gas cylinder contents gauge, regulator setting and operation of gas valve.
	Rusty, painted, damp, oil or greasy workpiece	Ensure workpiece is clean and dry.
	Rusty or dirty wire	Ensure wire is clean and dry.
	Poor ground contact	Check ground clamp/workpiece connection
	Incorrect gas / wire combination	Check on the manual for the correct combination
Weld deposit "stringy" and incomplete	Torch moved over workpiece too quickly	Move the torch slower
	Gas mixture incorrect	See shielding gas table
Weld deposit too thick	Torch moved over workpiece too slowly	Move the torch faster
	Welding voltage too low	Increase welding voltage



### **1.1 INTRODUZIONE**

Sicherstellen, dass das vorliegende Handbuch sowohl vom Bediener, als auch von den für die Wartung zuständigen Technikern gelesen und verstanden wird.



### **1.2 SICUREZZA PERSONALE**

Falls die Bedienungs- und Sicherheitsvorschriften nicht genau beachtet werden, können die Schweißarbeiten für den Bediener und auch für Personen, die sich in der Nähe des Schweißortes befinden, gefährlich werden.



**Die beim Schweißvorgang erzeugte Ultraviolett- und Infrarotstrahlung kann die Augen beschädigen und die Haut verbrennen, wenn keine geeigneten Schutzmaßnahmen getroffen werden.**

- Die Bediener müssen den eigenen Körper schützen, indem sie geschlossene und nicht brennbare Schutzanzüge tragen, sowie eine Schweißmaske aus nicht brennbarem Material, mit der Gesicht und Hals auch seitlich geschützt werden. Die Schutzgläser sind stets sauberzuhalten und auszuwechseln, falls sie beschädigt werden. Es empfiehlt sich, das inaktinische Glas mit transparentem Glas vor Spritzern zu schützen.
- Die Schweißarbeiten sind in einem Bereich durchzuführen, der von den anderen Arbeitsbereichen abgeschirmt ist.
- Die Bediener dürfen niemals, egal aus welchem Grund, ohne geeigneten Augenschutz in einen Lichtbogen schauen. Personen, die in der Nähe des Schweißortes arbeiten, müssen mit besonderer Vorsicht vorgehen. Sie müssen immer Schutzbrillen tragen, deren Linsen für den Schutz vor ultravioletter Strahlung, Spritzern und anderen Fremdpartikeln, die den Augen schaden können, geeignet sind.



**Gase und Rauch, die während des Schweißvorgangs erzeugt werden, können die Gesundheit gefährden**

- Der Schweißbereich muss mit einem geeigneten Absaugsystem ausgestattet sein. Hierbei kann es sich sowohl um eine Absaughaube handeln, als auch um eine geeignete Arbeitsstation, an der eine seitliche und frontale Absaugung, sowie eine Absaugung unterhalb des Arbeitstisches vorgesehen ist, damit Staub und Rauch umgehend entfernt werden. Das Absaugsystem vor Ort muss durch ein allgemeines Lüftungs- und Luftaustauschsystem ergänzt werden, vor allem, wenn in beengten Räumlichkeiten gearbeitet wird.
- Der Schweißvorgang ist auf Metalloberflächen durchzuführen, die von allen Rost- oder Lackschichten befreit wurden, damit keine gesundheitsschädlichen Dämpfe entstehen können. Vor dem Schweißen die mit Lösungsmitteln entfetteten Teile trocknen.
- Besondere Vorsicht ist geboten beim Schweißen von Materialien, die eine oder mehrere der folgenden Komponenten enthalten: Antimon Beryllium Kobalt Magnesium  
Arsenikselen Kadmium Kupfer Quecksilber Silber Barium Chrom  
Blei Nickelvanadium.
- Vor dem Schweißen alle Lösungsmittel mit Chlorgehalt aus dem Schweißbereich entfernen. Einige Lösungsmittel auf Chlorbasis zersetzen sich, wenn sie ultravioletter Strahlung ausgesetzt werden und bilden Phosgengase - Phosgengase sind hochgiftig!



### **1.3 BRANDSCHUTZ**

**Glühende Schlacken, Funken und der Lichtbogen können Brände und Explosionen erzeugen.**

- Ein Feuerlöscher von angemessener Größe und entsprechenden Eigenschaften muss stets griffbereit sein. Von Zeit zu Zeit dessen Funktionstüchtigkeit überprüfen;
- Alles brennbare Material aus dem Schweißbereich und den umliegenden Bereichen entfernen. Material, das nicht entfernt werden kann, ist mit geeigneten, feuerhemmenden Abdeckungen zu schützen;
- Die Umgebung ausreichend lüften. Die Lüftung dient dazu, die Ansammlung giftiger oder explosiver Gase zu verhindern;
- Keine Behälter schweißen, die brennbares Material enthalten (auch wenn diese entleert wurden) oder unter Druck stehen;
- Nach dem Schweißen sicherstellen, dass kein glühendes Material oder Flammen vorhanden sind;
- Die Decke, der Boden und die Wände im Schweißbereich müssen aus brandsicherem Material bestehen.



### **1.4 ELEKTRISCHER SCHOCK**

**ACHTUNG: EIN ELEKTRISCHER SCHOCK KANN TÖDLICH SEIN!**

- In jedem Arbeitsbereich muss eine Person anwesend sein, die in der Lage ist, Erste Hilfe zu leisten. Falls Verdacht auf einen elektrischen Schock besteht, darf der Verletzte niemals berührt werden,

## -DEUTSCH-

falls er noch Kontakt mit den Bedienungselementen hat. Die Stromversorgung der Maschine ausschalten und Erste Hilfe leisten. Zum Entfernen der Kabel vom Verletzten kann, falls notwendig, trockenes Holz oder ein anderes Isoliermaterial benutzt werden.

- Handschuhe und trockene Schutzkleidung tragen; den Körper von dem zu bearbeitenden Teil und anderen Teilen des Schweißkreises isolieren.
- kontrollieren Sie, dass der Stromnetz geerdet ist.
- Keine Teile berühren, die unter Spannung stehen.

### **Elektrische Vorsichtsmaßnahmen:**

- Verschlissene oder beschädigte Komponenten reparieren oder ersetzen.
- Besondere Vorsicht ist geboten, wenn an feuchten Standorten gearbeitet wird.
- Die Installation und Wartung der Maschine laut den örtlichen Vorschriften durchführen.
- Die Maschine vom Stromnetz trennen, bevor jegliche Kontrollen oder Reparaturarbeiten durchgeführt werden.
- Falls auch nur der geringste Stromschlag bemerkt wird, sofort die Schweißarbeiten unterbrechen und den Verantwortlichen für die Wartung informieren. Die Arbeit erst wieder aufnehmen, wenn die Störung behoben wurde.



## **1.5 LÄRM**

Lärm kann zu dauerhaftem Hörverlust führen. Beim Schweißvorgang kann Lärm entstehen, der die zugelassenen Grenzwerte überschreitet. Schützen Sie Ihre Ohren vor zu großem Lärm, um Schäden des Gehörs vorzubeugen.

- Zum Schutz vor starkem Lärm Ohrstöpsel oder Ohrenschützer tragen.
- Den Lärmpegel messen und sicherstellen, dass die zugelassenen Werte nicht überschritten werden.

## **1.6 ELEKTROMAGNETISCHE VERTRÄGLICHKEIT**

Vor dem Installieren des Schweißgeräts, den umliegenden Bereich genau untersuchen und auf die folgenden Punkte achten:

- Überzeugen Sie sich davon, dass sich in der Nähe des Geräts keine anderen Kabel von Generatoren, Kontrollleitungen, Telefonleitungen oder andere Elektronikgeräte befinden;
- Sicherstellen, dass keine Telefone, Fernsehgeräte, Computer oder andere Kontrollsysteme in der Nähe sind;
- Personen mit Herzschrittmachern oder Gehörprothesen dürfen sich nicht im Maschinenbereich aufhalten.

### **! In Sonderfällen können zusätzliche Schutzvorrichtungen angefordert werden.**

Interferenzen lassen sich durch die folgenden Maßnahmen reduzieren:

- Falls Interferenzen in der Generatorenleitung auftreten, kann ein E.M.C.-Filter zwischen das Netz und das Gerät geschaltet werden;
- Die Kabel der Maschinen sollen so kurz wie möglich sein, zusammen gewickelt und verbunden an der Erde wenn es nötig ist;
- Nach Beendigung der Schweißarbeiten alle Generatorentafeln korrekt ausschalten.

## **1.7 SCHUTZGAS**

### **Das in den Schutzgasflaschen enthaltene Gas steht unter Hochdruck; bei Beschädigung besteht Explosionsgefahr, daher mit Vorsicht behandeln.**

- Für diese Schweißmaschine wird nur Edelgas oder nicht brennbares Gas zum Schutz des Lichtbogens verwendet. Es ist wichtig, ein geeignetes Gas für den jeweiligen Schweißvorgang zu wählen.
- Keine Gasflaschen verwenden, deren Inhalt nicht bekannt ist, oder die beschädigt sind;
- Die Flasche nicht direkt an den Gasschlauch des Geräts anschließen, sondern stets einen geeigneten Druckregler zwischenschließen;
- Sicherstellen, dass Druckregler und Manometer korrekt funktionieren; den Regler nicht mit Gas oder Öl schmieren;
- Jeder Regler ist für einen bestimmten Gastyp gedacht; sicherstellen, dass der richtige Regler benutzt wird;
- Sicherstellen, dass die Flasche mit der Kette immer gut an der Maschine befestigt ist;
- In der Nähe der Gasflasche keine Funken erzeugen und die Flasche nicht in die Nähe von starken Wärmequellen stellen;
- Sicherstellen, dass der Gasschlauch immer in gutem Zustand ist;
- Den Gasschlauch außerhalb des Arbeitsbereichs positionieren.



### **2.1 AUFSTELLUNG**

Für eine korrekte Aufstellung Ihrer Schweißmaschine die folgenden Leitlinien beachten:

- Arbeitsbereiche, die vor Staub und Feuchtigkeit geschützt sind;
- Umgebungstemperatur innerhalb von 0° bis 40°;
- Arbeitsbereiche, die vor Öl, Staub und korrodierenden Gasen geschützt sind;
- Arbeitsbereiche, die vor starken Vibrationen oder Stößen geschützt sind;
- Arbeitsbereiche, die vor Sonnenstrahlung und Regen geschützt sind;
- Mit einem Abstand von mindestens 300 mm oder mehr von Wänden o.ä., die den normalen Luftwechsel behindern könnten.

### **2.2 LÜFTUNG**

Sicherstellen, dass der Schweißbereich ausreichend gelüftet wird. Das Einatmen von Schweißdämpfen kann gefährlich sein.

### **2.3 NETZANSCHLUSS**

Bevor Sie das Gerät anschließen, prüfen sie, ob der vorhandene Netzanschluss mit den Daten Ihren Gerätes übereinstimmt!

- Die Netzspannung sollte innerhalb von + 10% der Nominalspannung liegen. Eine zu niedrige Spannung kann zu einer schwachen Leistung führen, während eine zu hohe Spannung eine Überhitzung mit anschließender Beschädigung einiger Komponenten verursachen könnte. Die Schweißmaschine muss:
- Korrekt installiert sein, möglichst von qualifiziertem Personal;
- Korrekt angeschlossen sein, gemäß der Bestimmungen vor Ort;
- An eine Steckdose mit geeigneter Leistung angeschlossen sein.

Wenn Ihr Gerät keinen Stecker am Anschlusskabel hat, schließen sie einen Standardstecker (3P+T) wie folgt an:

- Das braune Kabel (Phase) wird am Stecker an die Klemme L1 angeschlossen.
- Das blaue (oder graue) wird am Stecker an die Klemme L2 angeschlossen.
- Das schwarze (oder graue) wird am Stecker an die Klemme L3 angeschlossen.
- Das gelbe/grüne Kabel (Erde) wird an Stecker an die Klemme P3 oder dem Symbol  $\perp$  (Erde) angeschlossen.

Wenn Ihr Netzanschluss einen Nullleiter hat (Klemmen N) wird eine Brücke (kurzes gelb/grünes Kabel) von der Klemme PE-  $\perp$  zur Klemme N installiert!

**Der Netzanschluss soll von der richtigen Sicherung oder dem Automatischschalter geschützt werden.**

Notizen:

- Kontrollieren Sie das Netzkabel regelmäßig um Spalte und um ungeschützte Drähte.
- Wenn es in kleiner guten Zustand ist, lassen Sie es in einem Dienstzentrum reparieren.
- Ziehen Sie nicht heftig das Netzkabel um es vom Stormnetz abzutrennen
- Zerquetschen Sie das Netzkabel mit anderen Maschinen nicht, es könnte beschädigt werden und Elektrischschock verursachen.
- Halten Sie das Netzkabel entfernen von Hitzequellen, Öls, Lösungsmittel, scharfe Schneide.
- Falls Sie ein Verlängerungskabel benutzen, versuchen Sie, ihn innergerade aus zu halten und vermeiden Sie seine Heizung.

### **2.4 SICHERHEITSVORSCHRIFTEN**

Zu Ihrer Sicherheit sind vor Anschluss des Generators an die Stromleitung folgende Anweisungen genau zu befolgen:

- Vor der eigentlichen Stromquelle ist ein geeigneter zweipoliger Trennschalter vorzusehen, ausgestattet mit trägen Sicherungen.
- Der Anschluss der Phase und der Erde ist mit einem zweipoligen Stecker vorzunehmen, der für die oben genannte Steckerbuchse geeignet ist.
- An beengten Arbeitsplätzen muss der Apparat außerhalb des Schweißbereichs aufgestellt und der Erdungsdraht am Werkstück befestigt werden. Schweißen Sie niemals unter solchen Umständen in feuchten oder nassen Räumlichkeiten.
- Verwenden Sie unter keinen Umständen beschädigte Stromkabel oder Versorgungsschläuche.
- Der Schweißbrenner darf niemals gegen den Schweißenden oder andere Personen gerichtet werden.
- Der Generator darf nicht ohne seine Seitenplatten eingeschaltet werden; in diesem Falle besteht die Gefahr schwerer Verletzungen und Sachschäden.

**3.0**

**NETZÄNDERUNG**

Ihr Gerät ist werkseitig an 380/400 Volt 3-phasig angeschlossen!

Wenn Ihr Netz 3 x 220 Volt hat, machen Sie folgendes:

- Öffnen Sie die rechte Seite Ihres nicht angeschlossenen Gerätes
- Ändern Sie die Verbindung am Klemmbrett wie an der Abb. 1 angegeben. Achten Sie darauf, dass die Schraubverbindungen am Klemmbrett fest angezogen sind!
- Schließen Sie das Gerät wieder und nehmen es darauf wieder in Betrieb!

**Nicht bei geöffnetem Gerät in Betrieb nehmen!**

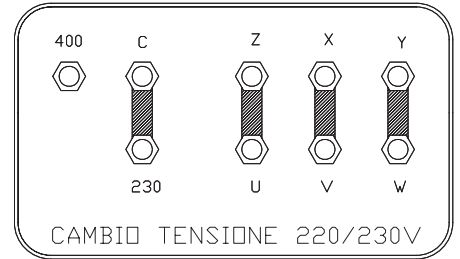
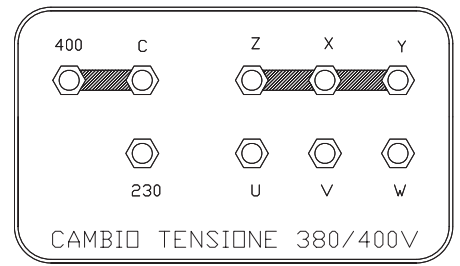


ABB. 1

**4.0**

**AUFBAU DES GERÄTES**

**4.1 RÄDER UND HANDGRIFF (ABB 2-3)**

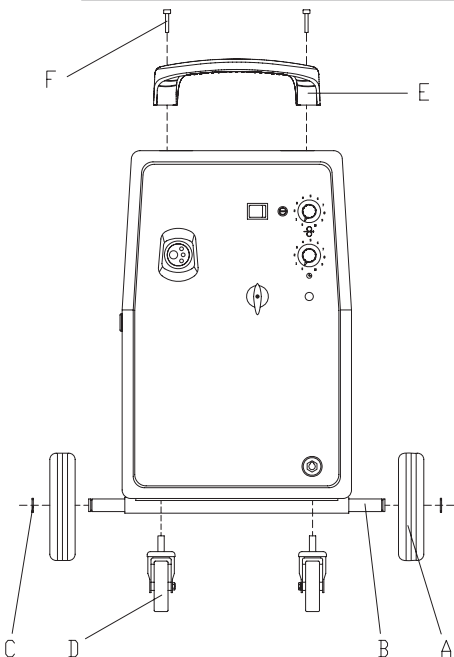


ABB. 2

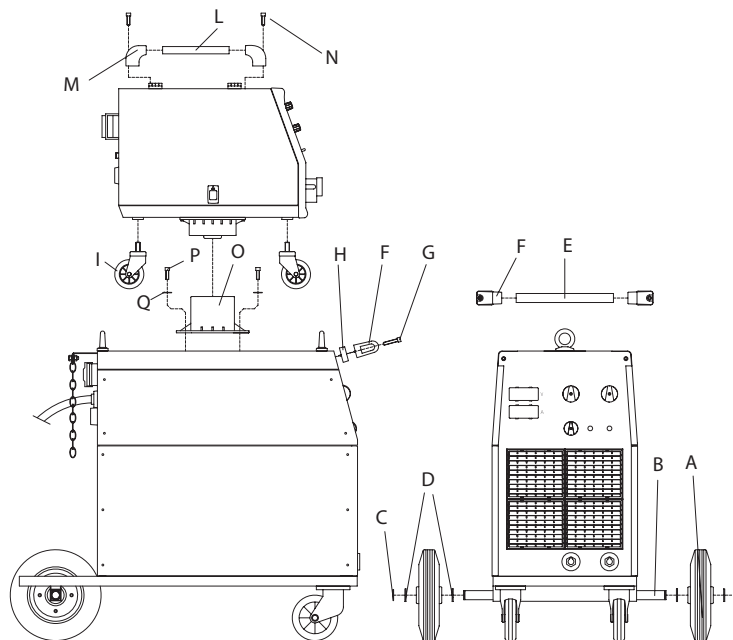


ABB. 3

- Öffnen Sie die Verpackung.

**ABB. 2**

- Schrauben Sie die beiden Lenkrollen (D) in die Grundplatte des Gerätes.
- Stecken Sie die Achsen (B) in das 4-Kant-Rohr an der Grundplatte.
- Schieben Sie die beiden Räder (A) auf die Achse (B) und befestigen diese mit den Klammernhaltern (C) auf dieser.
- Schrauben Sie mit den beiden Schrauben (F) den Handgriff (E) auf das Gerät.

**ABB.3**

**GENERATOR**

- Stecken Sie die Achse (B) in das 4-Kant-Rohr auf der Grundplatte – die Distanzscheiben (D) auf die Achse – die Räder (A) auf die Achse – wieder Distanzscheiben (D) vor die Räder (A) und befestigen mit den Federringen (C) die gesamte Achse (wie in Fig. 3 beschreiben).
- Montieren Sie die beiden Griffhalter (F) auf das Griffrohr € und schrauben Sie den gesamten Handgriff mit den Distanzhalter (H) mit den mitgelieferten Schrauben (G) an die Front des Gerätes!
- Separater Drahtvorschubkoffer (DV-Koffer)
- Montieren Sie das Griffrohr (L) in die beiden Griffhalter (M) und schrauben Sie den Handgriff mit den Schrauben (N) auf den Deckel des DV-Koffers.
- Schrauben Sie die 4 Lenkrolle (I) in den Boden des DV- Koffers.
- Montieren Sie den Drehkranz (O) mit den Scheiben (Q) und den Schrauben (P) auf den Deckel des Schweißgerätes und setzen den DV-Koffer in den Drehkranz (O).
- Stellen Sie die Gasflasche auf das Gerät an der Rückseite zwischen die großen Räder und sichern Sie diese mit der vorhandenen Kette (K)! den Druckminderer nach Vorschrift anschließen.

## -DEUTSCH-

- Das Verbindungsschlauchpaket ABB 6 zwischen Gerät und DV-Koffer kann nur in die dafür passende Anschlüsse gesteckt werden!
- Stellen Sie das Gerät in einem gut durchlüfteten Raum auf. Staub, Schmutz, Schleifstaub und viele andere Dinge, die den Luftstrom durch das Gerät behindern schädigen das Gerät und die Leistungen des Schweißers!

### 4.2 SCHWEISSBRENNNERANSCHLUSS AM GERÄT (ABB.4)

- Stecken Sie den Brenner in den Zentralanschluss an der Front des Gerätes und achten sie darauf, dass die Kontaktstifte nicht verbogen werden. Die Zentralmutter des Brenneranschlusses am Gerät mit der Hand Festschrauben! (Handfest, d.h. keine Zange oder andere Hilfsmittel verwenden!)

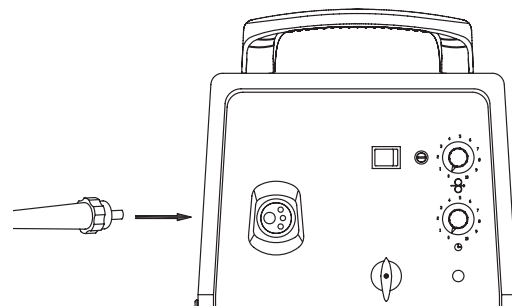


ABB. 4

### 4.3 SCHWEISSBRENNNERANSCHLUSS DIREKT AM GERÄT (ABB.5)

- Bevor Sie das Brennerschlauchpaket (7) anschließen, entfernen Sie die Mutter (1) und die Scheibe (2). Dann messen Sie die Länge der Drahtseele von der Messingmutter (10) bis zu deren Ende. Diese dürfen nur 20 mm betragen. Was darüber hinausgeht, ist abzuschneiden! 20 mm sind korrekt!
- Stecken Sie das Brennerschlauchpaket (7) durch die Isolierung in der Front des Gerätes (darauf achten, dass der Steuerleitungsstecker (14) vorher durchgesteckt wird) und schieben Sie den Brenneranschluss in den Drahtvorschub (siehe Fig. 5)
- Den Stromanschluss (3) auf den Brenneranschluss stecken und mit Scheibe (2) sowie Mutter (1) befestigen!
- Schrauben Sie die Plastikabdeckung (15) über das Anschlussstück (4) mit den beiden mitgelieferten selbstschneidenden Schrauben handfest an.
- Schieben Sie das Gasschlauch (12) über das Gasnippel (6) und befestigen Sie den Gasschlauch mit der Schlauchklemme (13) am Brennerschlauchpaket (7).
- Schliessen Sie die Steckerteile (11 + 14) an.

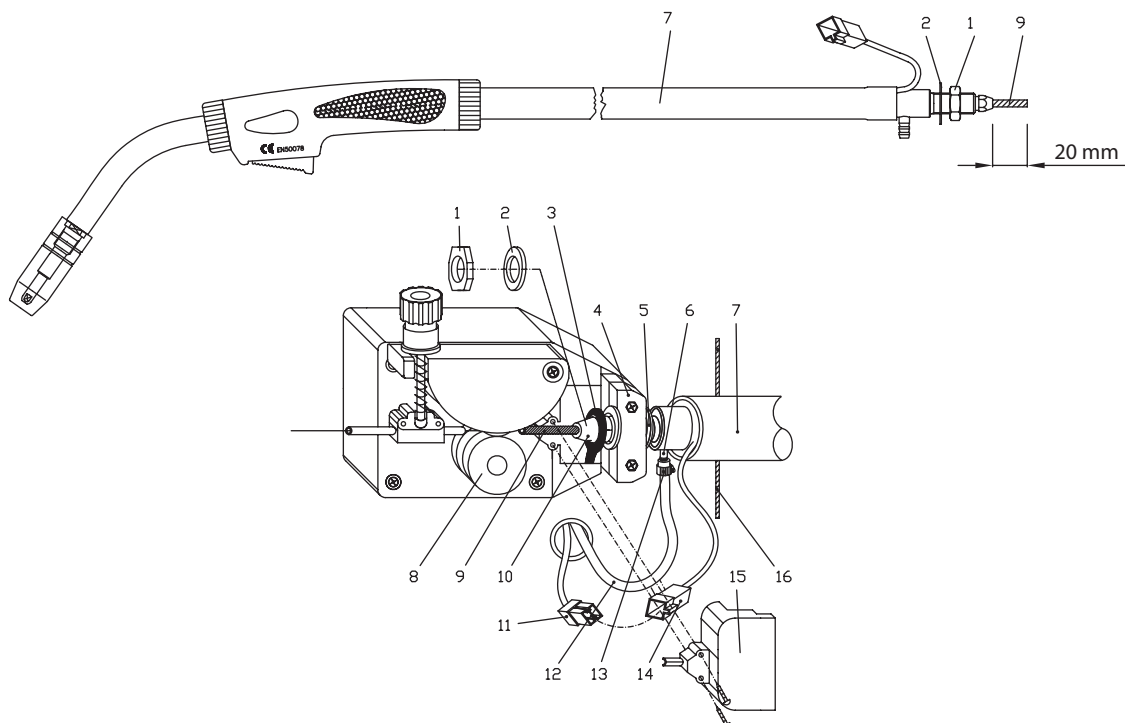
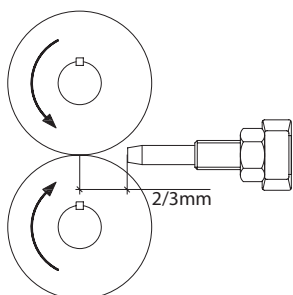


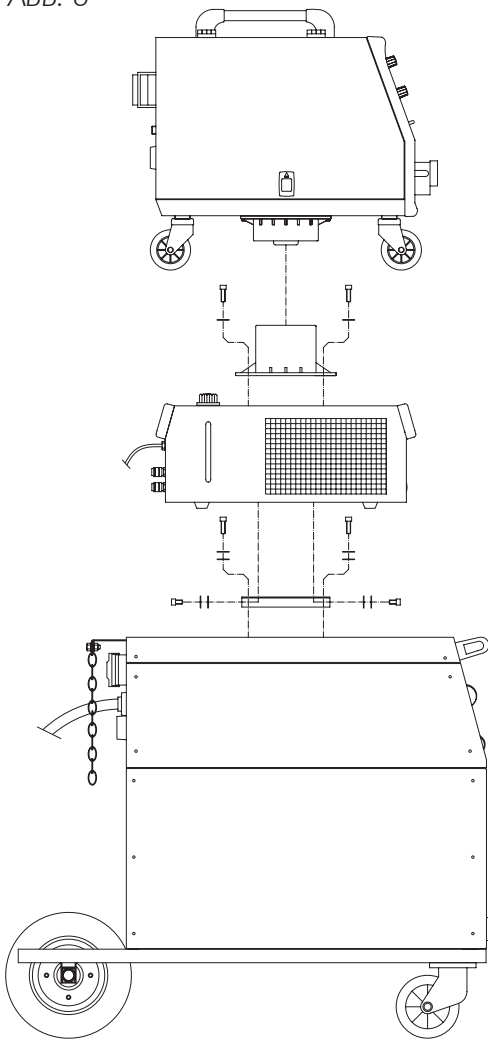
ABB. 5

**ACHTUNG:** Wenn Sie alles korrekt installiert haben, beträgt der Abstand von den Ende der Drahtseele zur Mitte der Drahtvorschubrollen 2-3 mm! (Abb. 6)



## 5.0 WASSERKÜHLUNG UND ZWISCHENSCHLAUCHPAKET

ABB. 6



Der Wasserkühler ist ein Zusatzgerät, um größere Leistungen der Schweißmaschine über einen größeren wassergekühlten Schweißbrenner sicherzustellen.

### 5.1 MONTAGE

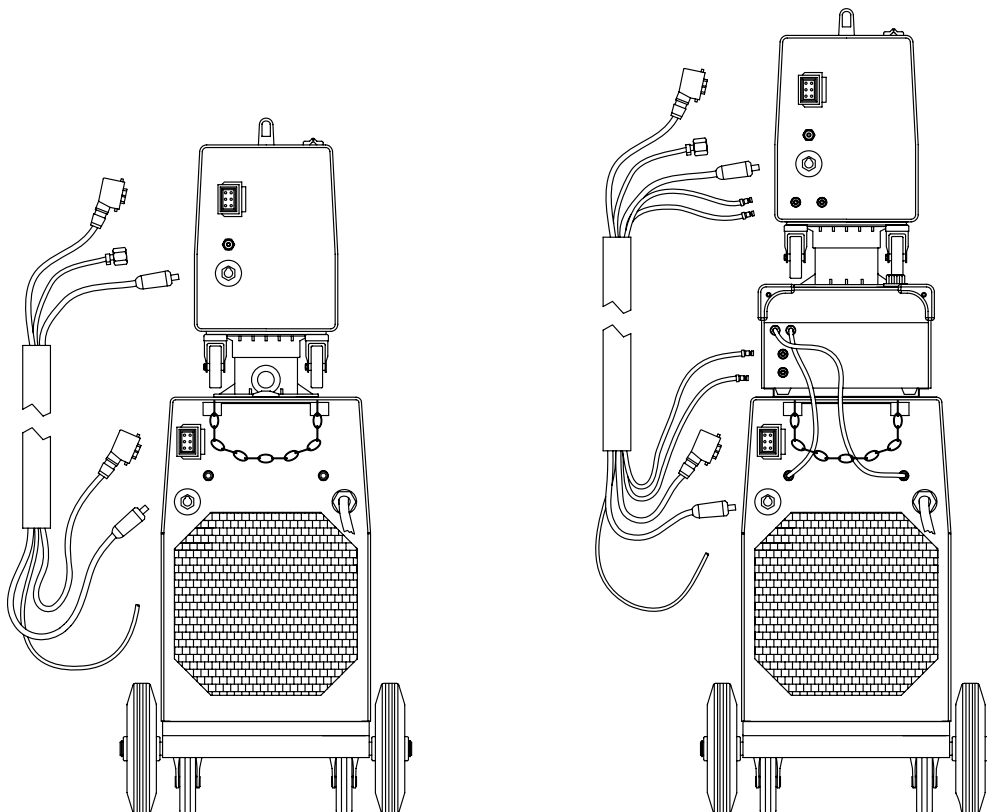
#### **ACHTUNG!**

Stellen Sie sicher, dass das Gerät vom Netz getrennt ist! Diese Montage sollte nur von Fachpersonal ausgeführt werden! Montieren Sie den Wasserkühler am Gehäusedeckel des Gerätes und den Drahtvorschubkoffer auf den Wasserkühler (siehe Fig.6).

### 5.2 ANSCHLÜSSE (NUR FÜR FACHPERSONAL)

- Öffnen Sie die rechte obere Seitenwand oder Schweißmaschine: neben dem Haupttrafo befindet sich die Anschlussplatte für den Wasserkühler.
- Bevor sie den Kühler elektrisch am Gerät anschließen, prüfen sie, ob sie einen 230 Volt oder 400 Volt Anschluss haben (vor Bestellung eines Kühlers prüfen).
- Entfernen Sie die Brücke zwischen dem PS-PS Kontakt (Druckschalter) und schliessen sie das Verbindungskabel vom Kühler an den 2 Kontakten an (kann nicht verwechselt werden - hat nur 2 Adern).
- Dann schließen Sie das Versorgungskabel am (hat 3 Adern).
- Montieren Sie wieder die rechte obere Seitenwand am Gerät.
- Stellen Sie sicher, dass der Kühler nur mit Ethylen Anti-Freeze-Liquid (nicht leitende Kühlflüssigkeit) gefüllt wird.  
**ACHTUNG:** Inbetriebnahme ohne Kühlflüssigkeit beschädigt die Pumpe.
- Schließen sie das Zwischenschlauchpaket an (siehe Fig. 6A)  
Die Front des Wasserkühlers hat folgende Einbauten:
- Aus-/Einschalter
- Sicherungsträger
- Orange Kontrollleuchte: Wenn diese Leuchtet, ist nicht genug Wasser im System oder gasgekühlter Schweißbrenner ist angeschlossen!

ABB. 6A



## **6.0 ANSCHLUSS DER GASFLASCHE UND DES REGLERS**

**! ACHTUNG:** Die Gasflaschen stehen unter Druck. Mit Vorsicht behandeln. Eine unsachgemäße Handhabung oder Gebrauch von Gasflaschen, die komprimiertes Gas enthalten, kann zu ernsthaften Unfällen führen. Nicht fallen lassen, umkippen, oder übermäßiger Hitze, Flammen oder Funken aussetzen. Nicht gegen andere Gasflaschen stoßen.

Die Gasflasche (sie wird nicht mitgeliefert) wird an der Rückseite des Geräts positioniert und mit der mitgelieferten Kette befestigt. Aus Gründen der Sicherheit und Wirtschaftlichkeit sicherstellen, dass der Druckregler ordentlich geschlossen ist, wenn nicht geschweißt wird, sowie während der Arbeiten zum Anschluss und Abmontieren der Gasflasche.

- Den Gasschlauch mit dem Druckregler verbinden und diesen mit der mitgelieferten Schelle befestigen.
- Den Regler auf das Ventil der Gasflasche schrauben und sehr fest anziehen.
- Das Ventil der Gasflasche öffnen und den Gasfluss auf ca. 8 l / Min.
- Drücken den Brennerschalter um zu vermeiden, dass das Gas aus dem Brenner auströmt.

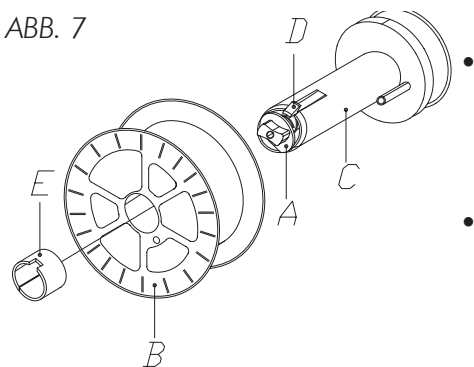
<b>SCHWEIS-MATERIAL</b>	<b>GAS</b>	<b>DRAHT</b>
Weichstahl	Argon + CO2 oder CO2	Verkupfer- testahldraht, Fülldraht für NO GAS Operation
Edelstahl	Argon	Edelstahl- draht
Aluminium	Argon	Aluminium draht

## **7.0 INSTALLIEREN DER SCHWEISSDRAHTROLLE**

Ihre Schweißmaschine wurde so entwickelt, dass sie sowohl Spulen mit 5 kg als auch mit 15 kg Draht benutzen kann. Die Spulen werden nicht mit dem Gerät mitgeliefert und müssen getrennt gekauft werden.

**! Sicherstellen, dass die Maschine nicht an die Steckdose angeschlossen ist. Die Gassdüse und die Stromdüse entfernen, bevor mit den folgenden Operationen begonnen**

ABB. 7



WICKLER ABB. 7 - 7A

Die Seitenwand des Spulengehäuses öffnen. Die Mutter (A) des Wicklers losschrauben, indem sie in der Position 1 gedreht wird (Bremstrommel). Den Ring (E) entfernen; falls die Spule ersetzt werden soll, die leere Rolle herausnehmen, indem die Einrastvorrichtung (D) gedrückt wird (Abb.7)

Die Hülle entfernen, in der sich die Spule befindet und die Spule auf den Wickler setzen. Nun werden die Ringe wieder montiert (E/F nur bei 5Kg Spulen, das kleinere Distanzstück E muß zwischen die Spule und den Spulenhalter montiert werden.) und zuletzt die Mutter (A) festgeschraubt, indem sie in der Position 2 gedreht wird.

**Die Schweißmaschine kann auch ø 100mm Spulen aufnehmen. Bei der Montage die folgenden Hinweise befolgen:**

- Die montierte Spule (B) vom Wickler (C) abnehmen.
- Das Handrad (A) losschrauben, die Feder und die Innenscheibe abnehmen und den Wickler (C) vom Zapfen nehmen.
- Die ø 100mm Spule auf den Zapfen setzen, die Scheibe, das Abstandsstück (G) und die Feder anbringen.
- Das Handrad (A) wieder festschrauben.

**! Das Handrad (A) stellt das Bremssystem der Spule dar. Bei einem zu hohen Druck wird der Versorgungsmotor forciert. Bei einem zu niedrigen Druck wird die Spule nicht sofort blockiert, wenn der Schweißvorgang beendet ist.**

WICKLER ABB. 8

- Die Seitenwand des Spulengehäuses öffnen. Die Mutter des Wicklers losschrauben.
- Die Hülle entfernen, in der sich die Spule befindet und die Spule auf den Wickler, setzen die Mutter festgeschraubt um sie zu fixieren.

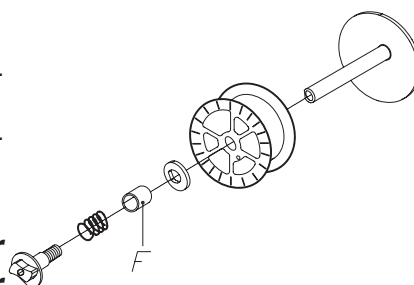


ABB. 7A

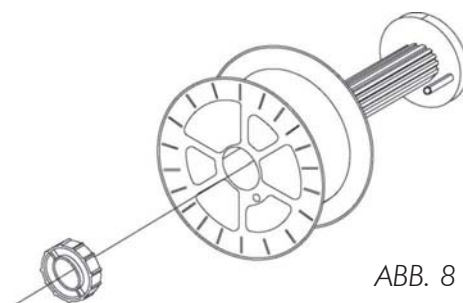


ABB. 8

## -DEUTSCH-

**!** Bei einem zu hohen Druck wird der Versorgungsmotor forciert. Bei einem zu niedrigen Druck wird die Spule nicht sofort blockiert, wenn der Schweißvorgang beendet ist.

- Den Plastikgriff (A) lockern und senken und den Drahtandrückhebel (B) lösen (Abb. 9). Eventuelle Drahtreste aus der Ummantelung (E) nehmen.
- Den Draht von der Spule lösen und mit einer Zange festhalten, damit er sich nicht abrollt. Falls notwendig geradebiegen, bevor er in die Eingangsführung (C) für den Draht eingeführt wird. Den Draht nun über die untere Rolle (D) schieben und in die Ummantelung (E) einführen.

**!** **ACHTUNG: Den Brenner gerade halten. Wenn ein neuer Draht in die Drahtseele eingeführt wird, darauf achten, dass dieser gerade abgeschnitten ist (ohne Zacken) und dass am Ende mindestens 2 cm gerade sind (ohne Knicke), andernfalls könnte die Drahtseele beschädigt werden.**

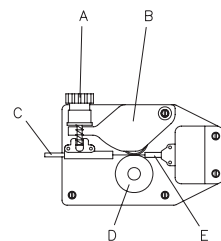
- Senken Sie den Drahtandrückhebel (B) und heben Sie den Plastikgriff (A). Leicht festschrauben. Ein zu fester Sitz blockiert den Draht und könnte den Motor beschädigen. Bei einem zu lockeren Sitz ist die Beförderung des Drahtes durch die Rollen nicht gewährleistet.

**!** **ACHTUNG: Wenn der Draht oder die Drahtzugrolle ersetzt werden soll, sicherstellen, dass sich die Vertiefung, die dem Drahtdurchmesser entspricht, im Inneren befindet, da der Draht von der inneren Vertiefung befördert wird. An den Rollenseiten sind die entsprechenden Durchmesser gekennzeichnet.**

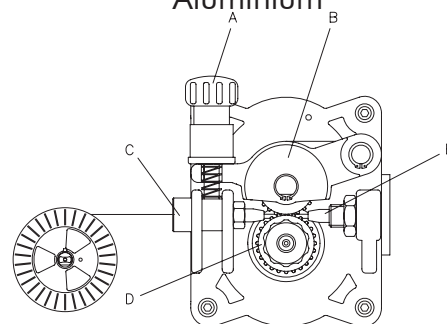
- Die Seitenwand der Maschine schließen. An die Steckdose anschließen und einschalten. Den Druckschalter für den Brenner drücken; der vom Drahtfördermotor angetriebene Draht muss durch die Ummantelung laufen. Wenn er aus dem Strahlrohr herauskommt, den Druckschalter des Brenners loslassen. Die Maschine abschalten. Stromdüse und Gasdüse wieder aufmontieren.

**!** **Beim Prüfen des korrekten Austritts des Drahtes „den Brenner niemals an das Gesicht annähern“, es besteht die Gefahr, vom heraustretenden Draht verletzt zu werden. Die Finger nicht in die Nähe des Mechanismus zur Versorgung des funktionierenden Drahtes bringen! Die Finger könnten in den Rollen eingequetscht werden. Die Rollen von Zeit zu Zeit kontrollieren und ersetzen, sobald sie verschlissen sind und die reguläre Versorgung des Drahtes beeinträchtigen.**

Getriebemotor aus Plastik



Getriebemotor aus Plastik / Aluminium



Getriebemotor aus Aluminium

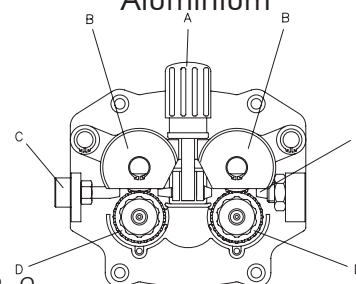


ABB. 9

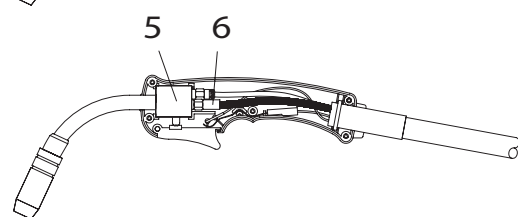
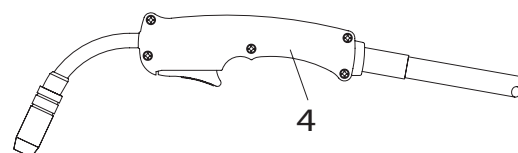
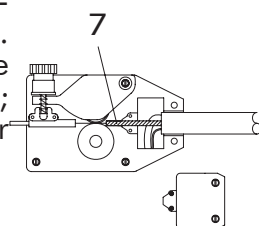
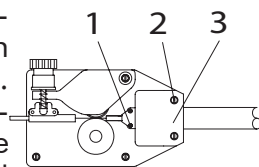
Die Maschine abschalten. Stromdüse

## 8.0 AUSTAUSCH DER DRAHTSEELE

**!** Sicherstellen, dass die Maschine nicht an der Steckdose angeschlossen ist, bevor diese Operationen durchgeführt werden.

Die zum Austausch der Drahtführungsummantelung durchzuführende Prozedur ist unterschiedlich, je nach Art des Brenneranschlusses, mit dem Ihre Maschine ausgerüstet ist.

- Die Seitenwand öffnen. Den Plastikgriff (A) lockern und senken, und den Drahtandrückhebel (B) lösen (Abb.4). Den Draht abschneiden (falls er bereits eingeführt wurde), mit der Zange immer festhalten, damit er sich nicht abrollt, und mit der dafür vorgesehenen Bohrung an der Rolle verbinden. Die Gasdüse abschrauben und die Stromdüse des Brenners abnehmen; mit einer Zange den Draht aus der Ummantelung ziehen.



Falls der Brenner bereits angeschlossen und mit Gazvanne ist (Abb. 10)

- Die Schrauben entfernen (1-2), mit denen die Halteeinheit (3) des Brenners befestigt ist.
- Den Brenner auf eine gerade Oberfläche legen und vorsichtig den Deckel des Griffes abnehmen, indem die Feststellschrauben darauf losgeschraubt werden (4). Die Position der Komponenten im

ABB. 10

## -DEUTSCH-

Inneren des Brenners beobachten.

- Das Blöckchen (5) anheben und die Anschluss mit einem Schraubenschlüssel abschrauben um die Stahl-drahtseele (6) abzunehmen.
- Das Kabel des Brenners geradebiegen und die Ummantelung aus dem gesamten Rohr ziehen.
- Die neue Ummantelung in das Rohr des Brenners einführen
- Die Tülle vom Stromkabel auf die Anschluss der Stahldrahtseele schieben.
- Die Seele an das Blöckchen (5) widderschrauben.
- Den Brenner wieder zusammenbauen, wobei darauf zu achten ist, dass alle Komponenten an ihrem Platz sind, und ohne die Einspannung der beiden Hälften des Griffes zu forcieren. Vor dem Festschrauben sicherstellen, dass die Schrauben korrekt ausgerichtet sind.
- Den Brenner auf die Halteeinheit (3) der Vorschubeinheit wiederstellen.
- Die Halteeinheit (3) des Brennerrohrs durch Befestigung der Schrauben wieder aufmontieren (1-2).
- Messen, wie weit die Ummantelung hervorsteht und mit einem gut geschliffenen Werkzeug so abschneiden, dass zur Drahtzugrolle nicht mehr als 2 mm (7) Abstand bleibt. Die Ummantelung muss glatt abgeschnitten werden, damit keine Ecken oder Kanten entstehen, die das Gleiten des Drahts behindern können.
- Den Draht laden und Stromdüse und Gasdüse wieder aufmontieren. Die Seitenwand schließen.

### **Ersetzen der Drahtseele bei direktem Brenneranschluss am Gerät (Abb.11) :**

- Lösen Sie die beiden Schrauben (1) der Abdeckung des Brenneranschlusses (2).
- Der Brenneranschluss liegt frei.
- Lösen Sie die Messingmutter (3) vom Schlauchpaketen.
- Entfernen sie die Gasdüse und die Stromdüse am Brennerkörper und ziehen Sie die Drahtseele (4) aus dem Brenner raus (im gestrecktem Zustand).
- Führen Sie die neue Drahtseele über den Brennerkörper wieder in das Schlauchpaket ein.
- Achten Sie darauf, dass das Ende der Drahtseele nicht mehr als 2 mm vor den Drahtantriebsrollen endet.
- Ziehen Sie die Messingmutter (3) wieder fest und schrauben sie die Abdeckung (2) wieder auf den Brenneranschluss (Fig. 11).
- Lassen sie den Schweißdraht in den Brenner einlaufen. Montieren Sie die Stromdüse, montieren Sie die Gasdüse ab, öffnen Sie die Schutzgaszufuhr am Druckminderer der Gasflasche.
- Schließen Sie die Seitenverkleidung und Sie können schweißen!

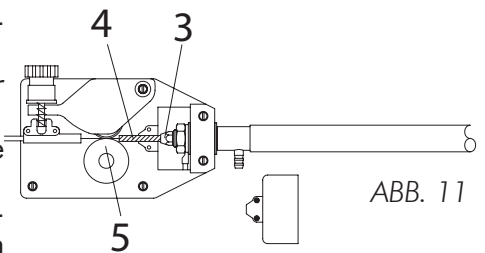
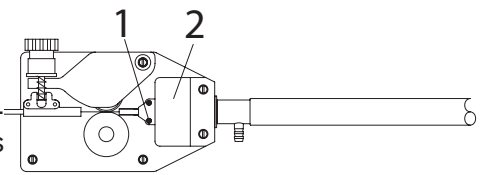


ABB. 11

### **Im Falle eines Euro-Anschlusses (Abb. 12):**

- Den Brenner von der Maschine abnehmen.
- Auf eine gerade Oberfläche legen und vorsichtig die Messingmutter (1) entfernen.
- Die Ummantelung (2) herausziehen.
- Die neue Ummantelung einführen und die Messingmutter (1) wieder aufmontieren.
- Schneiden die Ummantelung beim Ausrichten sie mit der Messingmutter.
- Ersetzen die Stecknadel vom Euroanschluß mit der kürzeren Stecknadel zum Aluminiumschweißen.

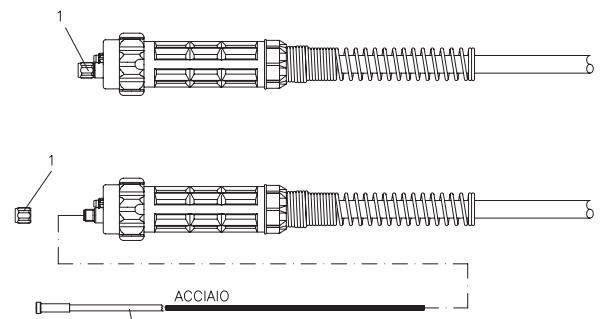


ABB. 12

**Achtung: die neue Ummantelung muss die gleiche Länge haben, wie die gerade herausgezogene.**

- Den Brenner wieder an die Maschine anschließen und den Draht laden.

## **8.1 AUSWAHL VON DER UMMANTELLUNG VON BRENNER MIT DIREKTANSCHLUSS UND EUROANSCHLUSS**

- Die Drahtführungsummantellungen können in zwei Typen geteilt werden: Stahl-Ummantelung und Teflon-Ummantelung.
- Die Stahl-Ummantellungen können bedeckt aber auch unbedeckt sein.
- Die bedeckten Ummantellungen werden in Gas-gekühlten Brenner benutzt.
- Die unbedeckten Ummantellungen werden nur in Wasser-gekühlten Brenner benutzt.
- Die Teflon-Ummantellungen sind besonders zum Aluminium-schweißen geeignet, da die Drahtführung ablaufender ist.

**Farbe**

**BLAUE**

**ROTE**

**GELBE**

**Dicke**

**Ø 0,6-0,9**

**Ø 1,0-1,2**

**Ø 1,2-1,6**

ABB. 13

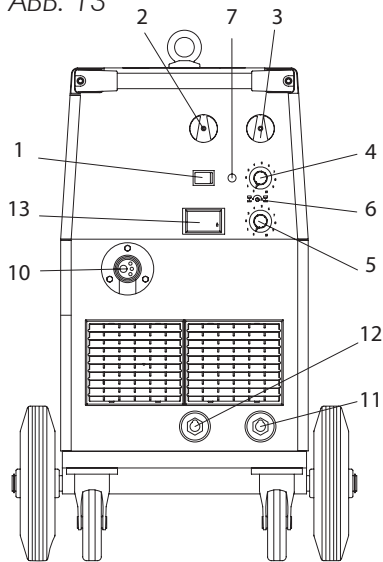


ABB. 14

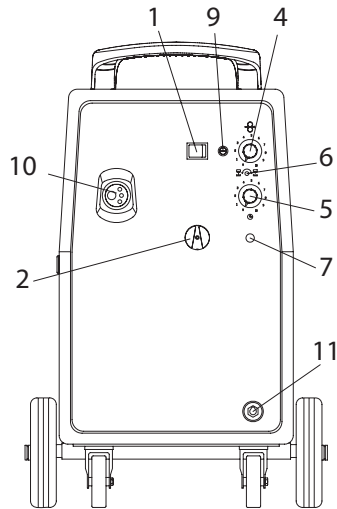


ABB. 15

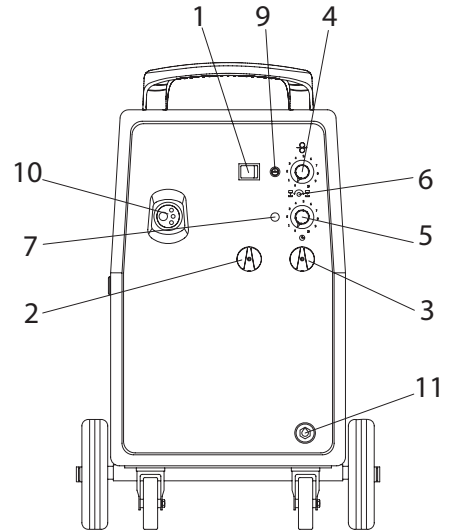


ABB. 16

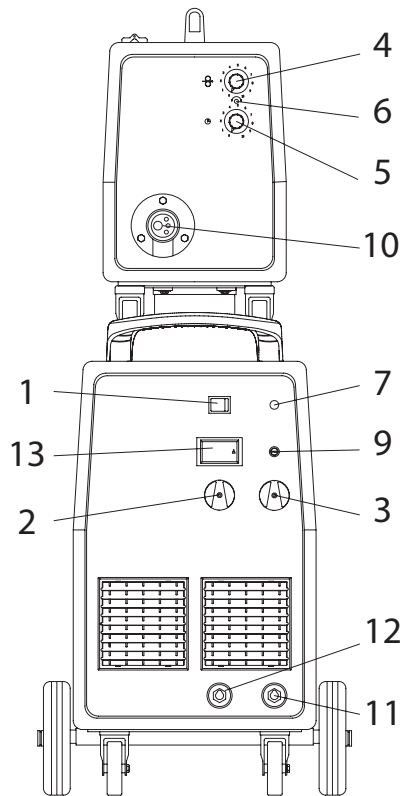


ABB. 17

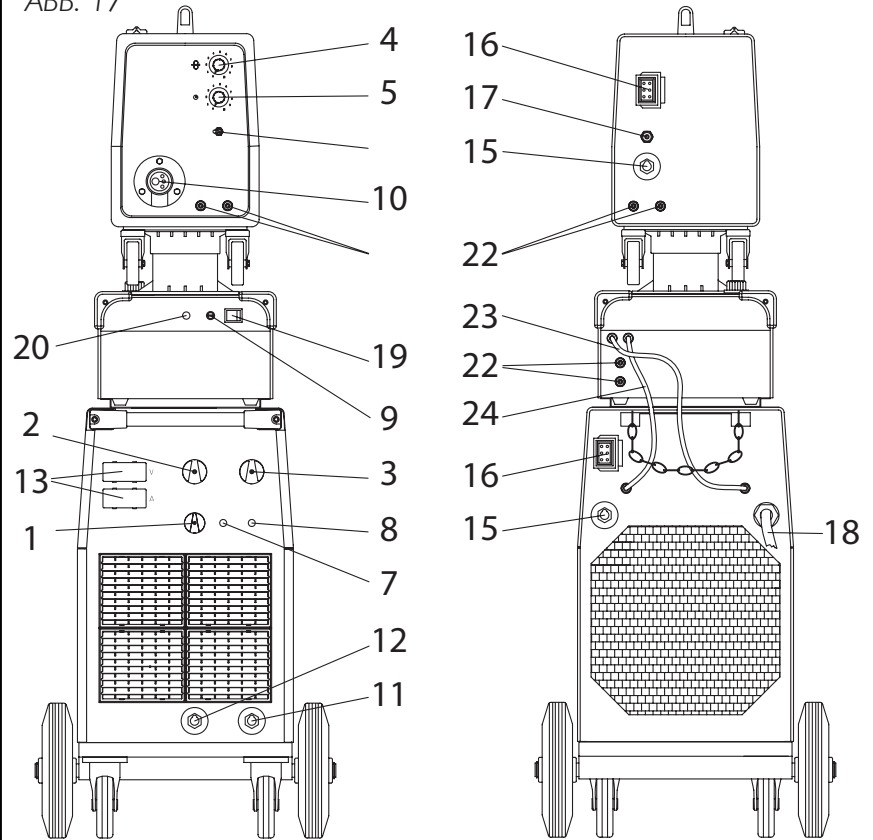


ABB. 18

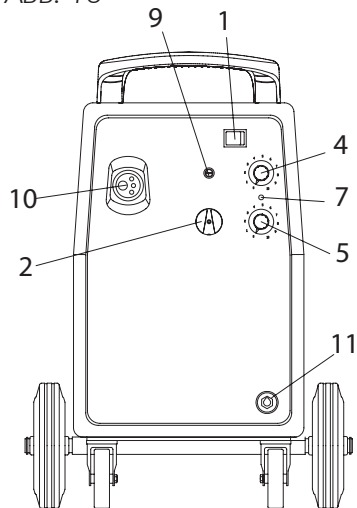
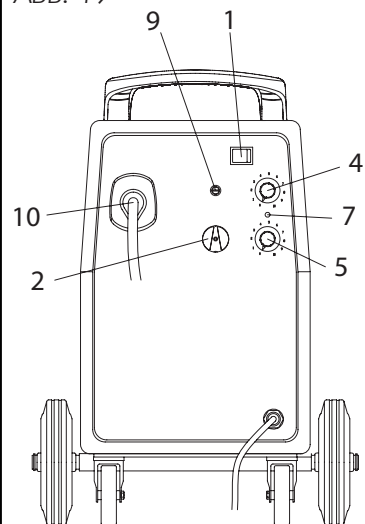


ABB. 19



## -DEUTSCH-

### 1 – Hauptschalter zum Einschalten der Maschine

Bei einigen Modellen ist dieser Schalter grün und leuchtet auf, wenn die Maschine eingeschaltet wird.

### 2 – Feinstufenumschalter zur Regelung der Schweißspannung

– je nach Gerät 6-7-8 Positionen

### 3 – Grobstufenumschalter zur Regelung der Schweißspannung

– je nach Gerät 2-3-4-6 Positionen

### 4 – Potentiometer für Drahtvorschubgeschwindigkeit

Zur Erhöhung der Geschwindigkeit wird der Griff im Uhrzeigersinn gedreht; zur Reduzierung gegen den Uhrzeigersinn.

### 5 – Schweißzeit für das Heftschweißen

Mit diesem Potentiometer wird die Schweißzeit nach Wunsch begrenzt – z.B. 10 Sek. Schweiß – dann erfolgt automatischer Stopp.

Nach Wiederdrücken des Brenntasters wiederholt sich der Vorgang!

### 6 – Drahtfreibrand (Drahtrückbrand)

Dieser Potentiometer ermöglicht es, über alle Parameter des Schweißens ein Festbrennen des Schweißdrahtes an der Stromdüse zu verhindern.

7 – **Warnlampe** zur Anzeige von überhöhter Temperatur (orange). Sie leuchtet auf, wenn der Thermostat für Ubertemperatur ausgelöst wird und die Maschine ausschaltet. Lediglich der Lüfter läuft weiter, um die Maschine ausreichend abgekühlt ist.

### 8 – Netz-Kontrollleuchte

Leuchtet auf und bleibt an, wenn das Gerät eingeschaltet wird. Erlischt nach dem Ausschalten!

### 9 – Netz- und Betriebssicherungen

In verschiedenen Modellen sind Sicherungen zwischen Spulenhalter und dem Drahtvorschubmotor angebracht. In verschiedenen Modellen mit Drahtvorschubkoffer sind diese Sicherungen im Gerät selbst angebracht.

### 10 – Brenneranschluss (Euro-Zentralanschluss oder Direktanschluss am Drahtvorschub)

### 11 – Minus-Pol Anschluss Niedrige Drossel

Masseanschluss: für dünne Schweißdrähte und einen härteren Lichtbogen.


### 12 – Minus-Pol Anschluss Höhere Drossel


Masseanschluss: für dickere Schweißdrähte und einen weicheren Lichtbogen.

### 13 – Digitales Instrument

Verschieden Modellen haben ein Amperemeter. Andere haben Ampere- und Voltmeter. In Modellen mit Drahtvorschubkoffer wird nach dem Schweißen (für einige Sekunden) der reale Schweißstrom angezeigt!

### 14 – 2-Tank und 4-Tank-Schalter

• Manual = 2-Tank  Wenn der Brenntaster gedrückt und festgehalten wird, erfolgt der Schweißprozess. Wenn der Taster losgelassen wird, stoppt der Schweißprozess.

• Automatic = 4-Tank  Der Schweißprozess startet (nach Gasvorströmzeit), wenn der Brenntaster gedrückt wird. Nach Loslassen des Tasters erfolgt die kontinuierliche Schweißung, der Prozess des Schweißens stoppt bei erneutem Drücken des Brenntasters. Und nach Loslassen des Tasters erfolgt die Gasnachströmzeit.

### 15 – Anschlussbuchse des Plus-Poles (Schweißstrom) für das Zwischenschlauchpaket

### 16 – 6-pol. Anschlussbuchse für die Steuerleitung des Zwischenschlauchpaketes

### 17 – Anschluss für den Gasschlauch des Zwischenschlauchpaketes

### 18 – Geräteanschlussleitung

### 19 – Ein-/Ausschalter

Wasserkühler-Hauptschalter. Die grüne Lampe leuchtet auf, wenn der Kühler eingeschaltet wird.

## -DEUTSCH-

### 20. Kühlflüssigkeit fehlt !

Wenn diese Lampe aufleuchtet, füllen Sie Kühlflüssigkeit in das System, bis die Lampe erlischt.

### 21. Wasserschnellanschlüsse (Kupplungen)

Befinden sich an der Front des Drahtvorschubgerätes. Die beiden Wasserkühlanschlüsse des Schweißbrenners werden hier angesteckt!

### 22. Wasserschnellanschlüsse (Steckerteile)

Befinden sich an der Rückseite des Drahtvorschubgerätes. Die Wasserleitungen des Zwischenschlauchpakete werden hier angeschlossen!

### 23. Wasserkühler Stromanschlussleitung

### 24. Kabel für den Druckschalteranschluss

## 10.0

## HEFTSCHWEISSEN

### *Nur bei Modellen mit Timer für die Heftschweißung!*

Die Heftschweißung zweier niedrig gekohlter Stahlblätter mit einer Dicke bis zu 0,8mm ist möglich, indem die Brennerdüse mit einer Gasdüse für die Heftschweißung ersetzt wird (nicht mitgeliefert). Die Heftschweißfunktion durch Einstellung des Timers für die Heftschweißung wählen (4). Die beiden Blätter übereinanderlegen und die Gasdüse auf das obere Blatt richten; den Brenner durch Drücken des Schalters für die Heftschweißung in Betrieb setzen. Sobald die programmierte Zeit abgelaufen ist, bleibt die Maschine automatisch stehen. Für die Heftschweißung muss der Schweißstrom und die Versorgungsgeschwindigkeit des Drahtes auf den Höchstwert gestellt werden. Es empfiehlt sich, Draht mit einem Durchmesser von 0,8 mm zu verwenden.

## 11.0

## SCHWEISSEN VON ALUMINIUM

PZum Schweißen von Aluminium ist die Maschine ebenso vorzubereiten, wie für die Schweißung von niedrig gekohltem Stahl, wobei jedoch folgendes zu beachten ist:

- Als Schutzgas ARGON 100% verwenden.
- Den Brenner der Aluminiumschweißung anpassen:
  1. Sicherstellen, dass das Kabel nicht länger als 3m ist, längere Kabel sind nicht empfehlenswert.
  2. Die Ummantelung aus Teflon für Aluminium montieren (die Anleitung zum Austausch der Ummantelung auf Seite 6 im Abschnitt „Austausch der Drahtführungsummantelung“ befolgen).
  3. Für Aluminium geeignete Rollen benutzen.
- Für Aluminium geeignete Stromdüsen benutzen, mit einer Bohrung, die dem Durchmesser des für die Schweißung zu benutzenden Drahtes entspricht.

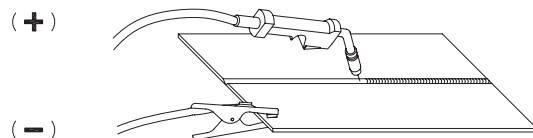
## 12.0 VORBEREITUNG ZUM SCHWEISSEN MIT UND OHNE GAS

### *Achtung: Stellen Sie sicher, dass die Polarität korrekt ist.*

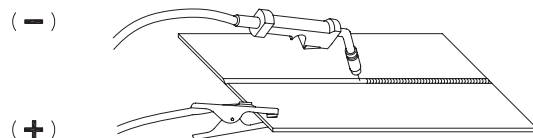
- Beim Gas-Schweißen muss der Schweißbrenner am + (Plus) Pol des Gerätes angeschlossen sein. Das Massekabel am – (Minus) Pol des Gerätes (Fig. 20).
- Beim Schweißen ohne Gas wird der Schweißbrenner am – (Minus) Pol des Gerätes angeschlossen. Das Massekabel am + (Plus) Pol des Gerätes (Fig. 20).

- Den Steckerstift des Erdkabels an die Negativ-Steckdose des Generators anschließen, die sich rechts unten an der Tafel vorne befindet (bei einigen Modellen ist das Erdkabel bereits angeschlossen).
- Die geerdete Zange mit dem zu schweißenden Teil verbinden und sicherstellen, dass ein guter Kontakt besteht;
- Sicherstellen, dass die innere Vertiefung der Rolle mit dem Durchmesser des Drahtes übereinstimmt, der benutzt werden soll.
- Schließen Sie die Maschine an eine geeignete Steckdose an.
- Öffnen Sie das Gasventil an der Gasflasche, indem Sie den Hahn gegen den Uhrzeigersinn drehen.
- Die Menge des austretenden Gases regulieren, indem der Griff des Druckreduzierers benutzt wird (durch Drehen im Uhrzeigersinn wird die Menge reduziert, durch Drehen gegen den Uhrzeigersinn erhöht. Hinweis: die für einen guten Schutz erforderliche Gasmenge ist je nach Metallart, Dicke und Strom unterschiedlich).

**GAS**



**NO GAS**



### **13.0 EINSTELLUNGEN**

Die Einstellung einer Schweißmaschine Mig-Mag erfordert Übung. Im Gegensatz zur Elektrodenschweißung müssen zwei Parameter eingestellt werden, um die gewünschte Schweißqualität zu erzielen. Es handelt sich um die folgenden Parameter: die Geschwindigkeit der Drahtversorgung und die Schweißspannung. Die Schweißstrom ist abhängig von der Einstellung dieser beiden Parameter.

- Spannung und Versorgungsgeschwindigkeit des Drahtes korrekt einstellen.
- Der Schweißstrom ändert sich in direkter Abhängigkeit von der Geschwindigkeit des Drahtes. Bei niedrigem Schweißstrom muss das Potentiometer auf die niedrigsten Werte der Regelskala für die Versorgungsgeschwindigkeit des Drahtes gestellt werden.
- Den Griff für die Drahtgeschwindigkeit im Uhrzeigersinn drehen, um die Versorgungsgeschwindigkeit und den Schweißstrom zu erhöhen. Die Schweißspannung ist in Übereinstimmung mit der Drahtgeschwindigkeit (Schweißstrom) einzustellen.
- Stufenweise höhere Spannungspositionen wählen, während die Drahtgeschwindigkeit erhöht wird.

Eine Erhöhung der Schweißspannung bei gleichbleibender Drahtgeschwindigkeit erzeugt einen längeren Lichtbogen (ohne wesentliche Änderung des Stroms). Eine Reduzierung der Schweißspannung bei gleichbleibender Drahtgeschwindigkeit führt dagegen zu einer Verkürzung des Lichtbogens.

Die Schweißparameter sind je nach Drahtdurchmesser einzustellen. Bei einem dünnen Draht muss die Versorgungsgeschwindigkeit erhöht werden, um den gleichen Strom zu erreichen. Hierbei ist jedoch Vorsicht geboten; wenn gewisse Grenzen überschritten werden, kann keine zufriedenstellende Schweißqualität erzielt werden:

- A) Eine zu hohe Geschwindigkeit (im Verhältnis zur Schweißspannung) verursacht Pulsationen des Drahtes im Inneren des Brenners; der Draht taucht in das Schweißbad und kann nicht schnell genug geschmolzen werden. Es entstehen inakzeptable Spritzer.
- B) Ist die eingestellte Spannung zu hoch (im Verhältnis zur Drahtversorgung), verlängert sich der Bogen zu stark und wird instabil. Wird nun die Spannung noch weiter erhöht, brennt die Drahtführungsspitze durch.
- C) Eine übermäßige Drahtgeschwindigkeit kann in jedem Fall durch die Erhöhung der Bogen Spannung korrigiert werden. Die Grenzwerte dieser Operation sind jedoch abhängig von der Dicke des zu schweißenden Materials (oberhalb eines bestimmten Wertes erfolgt die Perforierung). Den Brenner mit der Gasdüse in einem Winkel von ca. 45° zur Oberfläche auf die zu schweißende Verbindung richten. Der Abstand der Gasdüse sollte ca. 5-10mm betragen. Die Schutzmaske schließen und den Druckschalter des Brenners drücken, um den Bogen zu entzünden. Den brennenden Bogen gleichmäßig von links nach rechts entlang der Lötstelle bewegen. Die Drahtversorgungsgeschwindigkeit so regulieren, dass die Schweißung ein regelmäßiges Knattern erzeugt.
- Mit der Zeit erwirbt man eine gewisse Sensibilität in Bezug auf das vom Bogen erzeugte Geräusch, worauf sich die Schweißparameter immer genauer einstellen lassen.

## 14.0 ANLEITUNG ZUM LESEN DER TECHNISCHEN DATEN

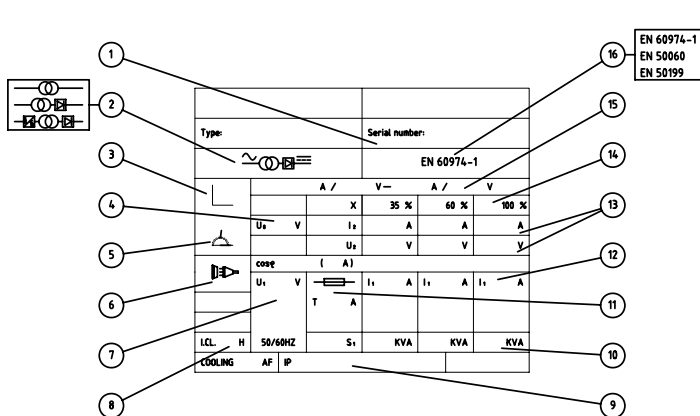


ABB. 21

- 1 Seriennummer der Maschine
- 2 Generatortyp
- 3 Art der Eigenschaft
- 4 Leerlaufspannung
- 5 Schweißart
- 6 Netzsymbol und Phasennummern
- 7 Versorgungsspannung
- 8 Isolierungsklasse
- 9 Schutzgrad
- 10 Leistung
- 11 Wert der Anlagensicherung
- 12 Versorgungsstrom
- 13 Schweißspannung- und -strom
- 14 Wartungsfaktor
- 15 Einstellfeld (Strom/Spannung)
- 16 Geltende Normen

## 15.0 HINWEISE ZU DEN SCHUTZGASEN

### METALL

Niedrig gekohlter Stahl

### GAS

CO2  
Argon + CO2  
Argon + CO2 + Sauerstoff

### HINWEISE

Argon begrenzt Spritzer.  
Sauerstoff erhöht die Stabilität des Bogens.

Aluminium

Argon  
Argon + Helium

Stabilität des Bogens, gute Schmelzung und kaum Spritzer.  
Heißeres Bad geeignet für dickere Querschnitte. Geringere Gefahr von Porosität.

Rostfreier Stahl

Argon + CO2 + Sauerstoff  
Argon + Sauerstoff

Stabilität des Bogens  
Kaum Spritzer

Kupfer, Nickel und Legierungen

Argon  
Argon + Helium

Geeignet für geringe Dicken, aufgrund der Dickflüssigkeit des Bades.  
Heißeres Bad, geeignet für dickere Querschnitte.

**Um dem mehreren geeigneten Prozentsatz zu wählen, wenden Sie sich an das Servicezentrum an.**

## 16.0 EMPFEHLUNGEN FÜR DIE SCHWEISS- UND WARTUNGSARBEITEN

- Immer sauberes und trockenes Material schweißen.
- Den Brenner in einem Winkel von 45° zu dem zu schweißenden Teil halten, mit 6 mm Abstand zwischen Gasdüse und Oberfläche.
- Den Brenner gleichmäßig und ruhig bewegen.
- Möglichst nicht an zugigen Orten schweißen, wo Luftströme das Schutzgas wegblasen und somit die Schweißung beeinträchtigen könnten.
- Draht und Ummantelung sauber halten. Keinen rostigen Draht verwenden.
- Vermeiden, dass der Gasschlauch verbogen oder zerdrückt wird.
- Darauf achten, dass keine Eisenspäne oder Metallstaub in das Innere der Schweißmaschine geraten, da dies zu Kurzschlüssen führen könnte.
- Falls möglich von Zeit zu Zeit die Brennerummantelung mit Druckluft reinigen.
- WICHTIG: sicherstellen, dass die Maschine nicht an die Steckdose angeschlossen ist, bevor die folgenden Eingriffe durchgeführt werden.
- Mit schwacher Druckluft (3-5 Bar) gelegentlich das Innere der Schweißmaschine reinigen, dies ist förderlich für die Abkühlung während des Betriebs.
- Achtung: keine Luft auf die Karte oder andere elektronische Komponenten blasen.
- Während des normalen Gebrauchs der Schweißmaschine ist die Drahtzugrolle Verschleiß ausgesetzt. Mit dem richtigen Druck muss die Drahtzugrolle den Draht fördern, ohne zu schlittern. Wenn sich die Drahtzugrolle und die Drahtandrückrolle bei eingeführtem Draht berühren, muss die Drahtzugrolle ersetzt werden.
- Regelmäßig die Kabel kontrollieren. Sie müssen in gutem Zustand sein und dürfen keine Risse haben.

## **17.0 SUCHE UND BESEITIGUNG VON DEFECTEN UND STÖRUNGEN**

Diese Tabelle ist als Hilfe bei der Lösung der häufigsten Probleme gedacht, die beim Gebrauch Ihrer Schweißmaschine auftreten können. Bitte berücksichtigen Sie jedoch, dass die vorgeschlagenen Lösungen nicht die einzig möglichen sind.

<b>PROBLEM</b>	<b>MÖGLICHE URSACHE</b>	<b>MÖGLICHE LÖSUNG</b>
Die Maschine lässt sich nicht einschalten.	Fehlfunktion des Versorgungskabels oder des Steckers.	Kontrollieren, ob das Versorgungskabel korrekt in die Steckdose gesteckt ist.
	Falsche Größe der Sicherung.	Die Sicherung überprüfen und falls notwendig austauschen.
Der Brenner liefert keinen Draht, aber der Lüfter funktioniert.	Druckschalter Brenner defekt.	Den Druckschalter des Brenners ersetzen.
	Auslösung des Thermostats.	Abwarten, bis die Maschine abgekühlt ist. Das Ausgehen der Warnlampe/Schalter an der Vorderseite zeigt an, dass die Maschine wieder in Betrieb ist.
Der Getriebemotor funktioniert, aber der Draht wird nicht versorgt.	Getriebemotor defekt (selten).	Den Motor austauschen.
	Ungenügender Druck der Drahtzugrolle.	Den Druck auf die Drahtzugrolle erhöhen.
	Knicke am Ende des Drahtes.	Gerade abschneiden.
	Ummantelung verstopft oder beschädigt.	Kontrollieren und eventuell mit Druckluft reinigen oder austauschen.
Schwache Penetration der Schweißung in das zu schweißende Teil.	Strom und Versorgungsgeschwindigkeit zu niedrig.	Die Schweißparameter passend einstellen.
	Innere Verbindungen locker (selten)	Das Maschineninnere mit Druckluft reinigen und alle Verbindungen festziehen.
	Falscher Durchmesser der Stromdüse.	Durch Stromdüse mit korrektem Durchmesser ersetzen.
	Brenneranschluss locker oder defekt.	Brenner festziehen oder austauschen.
	Falscher Durchmesser des Drahtes.	Draht mit korrektem Durchmesser benutzen.
	Zu schnelle Bewegung des Brenners.	Den Brenner gleichmäßig und nicht zu rasch bewegen.
Der Draht wickelt sich auf die Drahtzugrolle auf.	Zu hoher Druck auf die Rolle.	Druck auf die Rolle reduzieren.
	Ummantelung verschlissen oder beschädigt.	Die Drahtführungsummantelung austauschen.
	Drahtführungsspitze verstopft oder beschädigt.	Die Drahtführungsspitze austauschen.
	Drahtführungsummantelung zu straff oder zu lang.	Die Drahtseele auf die richtige Länge zuschneiden.
Der Draht schmilzt und verklebt mit der Drahtführungsspitze.	Stromdüse verstopft.	Die Stromdüse ersetzen.
	Zu niedrige Versorgungsgeschwindigkeit des Drahtes.	Die Versorgungsgeschwindigkeit des Drahtes erhöhen.
	Falsche Größe der Stromdüse.	Eine Stromdüse mit der richtigen Größe verwenden.

## -DEUTSCH-

Die Zange und/oder das Kabel werden zu heiß.	Schlechte Verbindung zwischen Kabel und Zange.	Die Verbindung festziehen oder das Kabel ersetzen.
Die Gasdüse bildet einen Bogen mit dem zu schweißenden Teil.	Ansammlung von Schlacken im Inneren der Gasdüse oder Kurzschluss der Gasdüse.	Die Gasdüse reinigen oder ersetzen.
Der Draht drückt den Brenner vom Teil weg.	Zu hohe Drahtgeschwindigkeit.	Die Drahtgeschwindigkeit reduzieren.
Schlechte Schweißqualität	Gasdüse verstopft.	Die Gasdüse reinigen oder austauschen.
	Brenner zu weit vom Teil entfernt.	Den Brenner näher an das Teil halten.
	Ungenügende Gaszufuhr.	Kontrollieren, ob das Gas durch Luftströme weggeblasen wird, in diesem Fall einen geschützteren Ort aufsuchen. Andernfalls den Gasmesser, die Einstellung des Reglers und das Ventil kontrollieren.
	Das zu schweißende Teil ist verrostet, lackiert, feucht, mit Öl oder Fett beschmutzt.	Vor dem Weiterarbeiten sicherstellen, dass das zu schweißende Teil sauber und trocken ist.
	Draht schmutzig oder verrostet.	Vor dem Weiterarbeiten sicherstellen, dass der Draht sauber und trocken ist.
	Schlechter Erdkontakt	Die Verbindung der Erdzange mit dem Teil kontrollieren.
	Falsche Kombination Gas/Draht	Im Handbuch die richtige Kombination nachsehen.
Enge Schweißnaht und unvollständige Schmelzung	Zu langsame Bewegung des Brenners.	Den Brenner schneller bewegen.
	Schweißspannung zu niedrig.	Die Schweißspannung erhöhen.
Schweisssraupe zu dick	Zu langsame Bewegung des Brenners	Den Brenner gleichmäßig und zu rasch bewegen.
	Zu niedrige Schweißspannung	Die Schweißspannung erhöhen.



### 1.1 INTRODUCTION

S'assurer que ce manuel a été lu et compris tant par l'opérateur que par le personnel technique préposé à l'entretien.



### 1.2 SECURITE DU PERSONNEL

Si les règles de sécurité et d'utilisation ne sont pas attentivement suivies, les opérations de soudure peuvent être dangereuses non seulement pour l'opérateur, mais également pour les personnes qui se trouvent à proximité du lieu de soudure.



**Le processus de soudure produit des rayons ultraviolets et infrarouges qui peuvent endommager les yeux et brûler la peau si on ne se protège pas suffisamment.**

- Les opérateurs doivent protéger leur corps en portant des combinaisons de protection fermées et ininflammables, sans poches ni revers ainsi que des chaussures ininflammables avec une pointe en acier et des semelles en caoutchouc.
- Les opérateurs doivent utiliser un bonnet en matériau anti-flamme pour la protection de la tête et en outre un masque de soudeur ininflammable qui protège le cou et le visage, également sur les côtés. Toujours veiller à ce que les verres de protection soient propres et les remplacer s'ils sont brisés ou fêlés. C'est une bonne habitude de protéger avec un verre transparent la vitre inactinique contre les éclaboussures de soudure.
- L'opération de soudure doit être effectuée dans un environnement blindé par rapport aux autres zones d'usinage.
- Les opérateurs ne doivent jamais, et pour aucune raison, regarder un arc électrique sans une protection adéquate des yeux. Les personnes opérant à proximité des lieux de soudure doivent faire très attention. Elles doivent toujours porter des lunettes de protection avec des verres adéquats pour éviter que des radiations ultraviolettes, des éclaboussures et d'autres corps étrangers ne puissent blesser les yeux.



**Les gaz et les fumées produits durant le processus de soudure peuvent être nocifs pour la santé.**

- La zone de soudure doit être dotée d'un système d'aspiration locale adéquat qui peut dériver de l'utilisation d'une hotte d'aspiration ou d'un banc prédisposé pour l'aspiration latérale, frontale et par le dessous du plan de travail, de manière à éviter la stagnation de poussière et de fumées.
- L'aspiration locale doit être associée à une aération générale adéquate et à une recirculation d'air surtout quand on travaille dans un espace réduit.
- Le processus de soudure doit être réalisé sur des surfaces métalliques après l'élimination des couches de rouille ou de peinture pour éviter la formation de fumées nocives. Avant de souder, sécher les pièces qu'on a dégraissées avec des solvants.
- Faire très attention en soudant des matériaux pouvant contenir un ou plusieurs de ces composants: Antimoine Béryllium Cobalt Magnésium Sélénium Arsenic  
Cadmium Cuivre Mercure Argent Baryum Chrome  
Plomb Nickel Vanadium
- Avant de souder, éloigner du lieu de soudure tous les solvants contenant du chlore. Certains solvants à base de chlore se décomposent s'ils sont exposés à des radiations ultraviolettes, formant ainsi des gaz phosgènes.



### 1.3 PREVENTION CONTRE L'INCENDIE

**Des déchets incandescents, des étincelles et l'arc électrique peuvent provoquer des incendies et des explosions.**

- Garder à portée de la main un extincteur aux dimensions et aux caractéristiques adéquates en s'assurant périodiquement de son efficacité.
- Éliminer de la zone de soudure et des environs tout type de matériau inflammable. Si le déplacement, le couvrir avec des protections ignifuges.
- Aérer les locaux de façon adéquate. Maintenir une recirculation d'air suffisante pour prévenir l'accumulation de gaz toxiques ou explosifs.
- Ne pas souder des récipients contenant un produit combustible (même vides) ou sous pression.
- A la fin de la soudure, vérifier qu'il ne reste pas de matériau incandescent ni de flammes.
- Le plafond, le sol et les murs de la zone de soudure doivent être anti-incendie.



### 1.4 ELECTROCUTION

**ATTENTION: L'ELECTROCUTION PEUT ETRE MORTELLE!**

- Sur tout lieu de travail doit se trouver une personne qualifiée en Secourisme. Si on suspecte une électrocution et si la personne accidentée est inconsciente, ne jamais la toucher si elle est encore en contact avec les commandes. Couper le courant à la machine et pratiquer les Premiers Soins.

## -FRANÇAIS-

Pour éloigner les câbles de la personne accidentée, on peut utiliser, si nécessaire, du bois sec ou un autre matériau isolant.

- Porter des gants et des vêtements de protection secs; isoler le corps de la pièce usinée et des autres pièces du circuit de soudure.
- Contrôler que la ligne d'alimentation est dotée de la phase de terre.
- Ne pas toucher les pièces sous tension.

### **Précautions électriques:**

- Réparer ou remplacer les composants usés ou endommagés.
- Faire particulièrement attention si on travaille dans un endroit humide.
- Installer et exécuter l'entretien de la machine conformément aux directives locales en vigueur.
- Débrancher la machine avant de procéder à tout contrôle ou réparation.
- Si on sent une décharge électrique même légère, interrompre tout de suite les opérations de soudure. Avertir immédiatement le responsable de l'entretien. Ne pas reprendre les opérations tant que la panne n'a pas été résolue.



## **1.5 BRUITS**

Le bruit peut provoquer une perte permanente de l'ouïe. Le processus de soudure peut donner lieu à des bruits qui excèdent les limites admises. Se protéger les oreilles contre les bruits trop importants afin de prévenir les dégâts de l'ouïe.

- Pour protéger l'ouïe contre les bruits importants, utiliser des bouchons de protection ou des pare-oreilles.
- Mesurer les niveaux de bruit en s'assurant que l'intensité n'excède pas les limites admises.

## **1.6 COMPATIBILITE ELECTROMAGNETIQUE**

Avant d'installer la soudeuse, inspecter la zone environnante, en observant les règles suivantes:

- S'assurer qu'à proximité de l'unité ne se trouvent pas d'autres câbles appartenant à des générateurs, des lignes de contrôle, des câbles téléphoniques ni d'autres appareillages électroniques.
- Contrôler qu'il n'y a pas d'appareillages de télévision, d'ordinateurs ni d'autres systèmes de contrôle.
- Les personnes portant des stimulateurs cardiaques (pace-maker) ou des prothèses auditives ne doivent pas stationner autour de la machine

Dans certains cas particuliers, on peut demander des mesures de protection supplémentaires.

- Les interférences peuvent être réduites en prenant les précautions suivantes:
- En cas d'interférence sur la ligne du générateur, on peut placer un filtre E.M.C. entre le réseau et l'unité.
- Les câbles en sortie de la machine devraient être le plus court possible, liés et connectés à la terre si nécessaire.
- Au terme de l'entretien, fermer correctement tous les panneaux du générateur.

## **1.7 GAZ PROTECTEURS**

**Les bouteilles de gaz protecteur contiennent du gaz sous haute pression; si elles sont endommagées, elles risquent d'exploser. Il faut donc les manipuler avec soin.**

- Ces soudeuses utilisent uniquement du gaz inerte ou ininflammable pour la protection de l'arc de soudure. Il est important de choisir le gaz approprié pour le type de soudure qu'on réalisera.
- Ne pas utiliser des bouteilles endommagées ou dont le contenu est inconnu.
- Ne pas raccorder les bouteilles directement au tuyau du gaz de la machine. Interposer toujours un réducteur de pression adéquat.
- Contrôler que le réducteur de pression et les manomètres fonctionnent correctement; ne pas lubrifier le réducteur avec du gaz ou de l'huile.
- Chaque réducteur est conçu pour un type de gaz spécifique, s'assurer qu'on utilise bien le réducteur correct.
- Vérifier que la bouteille est toujours bien fixée à la machine au moyen de la chaîne.
- Éviter de produire des étincelles à proximité de la bouteille de gaz ou de l'exposer à des sources de chaleur excessive.
- Vérifier que le tuyau du gaz est toujours en bon état.
- Maintenir le tuyau du gaz à l'extérieur de la zone d'usinage.

## **2.0 RECOMMANDATIONS POUR L'INSTALLATION**



### **2.1 MISE EN PLACE**

Suivre les lignes de conduite exposées ci-après pour la mise en place correcte de la soudeuse:

- à l'abri de la poussière et de l'humidité;
- à des températures comprises entre 0° et 40°C;
- à l'abri de l'huile, de la vapeur et des gaz corrosifs;
- à l'écart des vibrations et des secousses particulières;
- à l'abri des rayons du soleil et de la pluie;
- à une distance d'au moins 300 mm ou plus de murs ou autres risquant de gêner la circulation normale de l'air.

### **2.2 AERATION**

S'assurer que la zone de soudure est correctement aérée. L'inhalation de fumées de soudure peut être dangereuse.

### **2.3 CONDITIONS REQUISES POUR LA TENSION DU RESEAU**

Après d'effectuer des connexions électriques, vérifier que la tension de réseau et la fréquence disponible soient correspondent aux valeurs dans le tableau technique de votre générateur.

La tension du réseau devrait se situer autour de  $\pm 10\%$  de la tension de réseau nominale. Une tension trop basse pourrait être la cause d'un faible rendement; une tension trop élevée pourrait en revanche provoquer une surchauffe puis la panne de certains composants. La soudeuse doit être:

- correctement installée, si possible par un personnel qualifié;
- correctement connectée conformément à la réglementation locale en vigueur;
- branchée sur une prise électrique d'une puissance adéquate.

Connecter le câble d'alimentation a une fiche normalisée (3P + T) de portée adéquate.

Suivre les instructions suivantes pour connecter le câble d'alimentation a la fiche :

- le fil marron doit être connecté à la borne marquée avec la lettre L1.
- le fil bleu ou gris doit être connecté à la borne marquée avec la lettre L2
- le fil noir doit être connecté à la borne marquée avec la lettre L3
- le fil jaune/vert (terre) doit être connecté à la borne marquée avec les lettres PE ou avec le symbole ( $\perp$ ) de la fiche

En tous cas la connexion du fil de terre jaune/vert a la borne PE ( $\perp$ ) doit être effectuée de façon que ce fil soit le dernier à se déconnecter en cas de fente du câble de alimentation.

**La prise dont se va à brancher le générateur doit être dotée de fusibles de protection ou de un interrupteur automatique adéquates.**

Note:

- Le câble d'alimentation doit être contrôlé périodiquement pour s'assurer qu'il n'y a pas de marques d'usure ou endommagement. Si le câble ne résulte pas en bonnes conditions ne pas utiliser la machine et la faire contrôler dans un centre d'assistance.
- Ne pas tirer le câble d'alimentation pour le déconnecter du réseau.
- Ne pas marcher sur le câble d'alimentation avec autres équipements, il pourrait être endommagé et vous causer électrocution.
- Tenir le câble d'alimentation loin de sources de chaleur, huiles, dissolvants et arêtes vives.
- Si on utilise un' interconnexion de porté adéquate, dérouler complètement le câble pour éviter qu'il chauffe.

### **2.4 INSTRUCTIONS POUR LA SÉCURITÉ**

Pour sauvegarder votre sécurité, suivez attentivement ces instructions avant de brancher le générateur à la ligne:

- Un interrupteur adéquat à deux pôles doit être inséré avant la prise principale de courant, qui doit être dotée de fusibles retardés.
- La connexion monophasée de terre doit être effectuée avec une fiche à deux pôles compatibles avec la prise mentionnée avant.
- Si le lieu de travail est exigü, l'appareil doit être placé en dehors de la zone de soudage et le câble de masse doit être fixé à la pièce en travail. Dans ces conditions, il ne faut pas travailler dans des zones humides ou mouillées.
- Ne jamais utiliser des câbles d'alimentation ou de soudage endommagés.
- La torche de soudage ne doit jamais être dirigée contre l'opérateur ou une autre personne.
- Le générateur ne doit jamais être utilisé sans ses panneaux, cas ceci pourrait provoquer de graves blessures à l'opérateur et des dommages à l'appareil.

### 3.0

## CHANGEMENT TENSION

Le générateur peut être connecté à un système triphasé avec une tension d'alimentation de 230/400V. Le générateur est livré branché pour une tension d'alimentation de 380/400V triphasée. Pour plus de sûreté, vérifiez l'indication sur l'étiquette à l'extrémité du câble d'alimentation. S'il était nécessaire d'alimenter le générateur avec une tension de 220/230V triphasée, suivre ces instructions:

- Portez l'interrupteur principal du générateur sur "OFF", ouvrez l'interrupteur de ligne et débranchez la fiche d'alimentation de la prise du secteur.
- Démontez le panneau latéral droit (en regardant le devant du générateur) en desserrant les vis qui le fixent au châssis.
- Modifiez les branchements de la plaque à bornes "CHANGEMENT TENSION", comme indiqué dans l'étiquette.
- Assurez-vous que les vis de fixation des ponts soient adéquatement serrées.
- Remontez le panneau latéral.

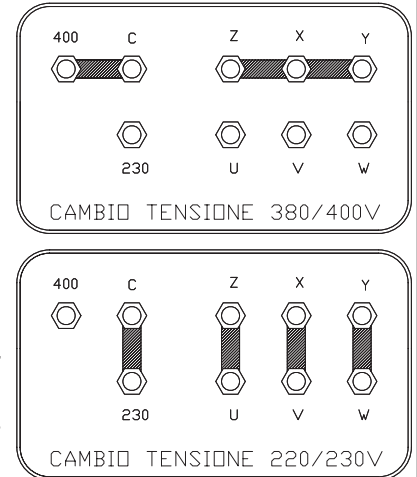


FIG. 1

**Ne travaillez jamais avec les panneaux du générateur enlevés ou partiellement démontés, afin d'éviter des contacts avec les parties sous tension.**

### 4.0

## INSTALLATION

### 4.1 ASSEMBLAGE DES ROUES ET DE LA POIGNEE (FIG 2-3)

FIG. 2

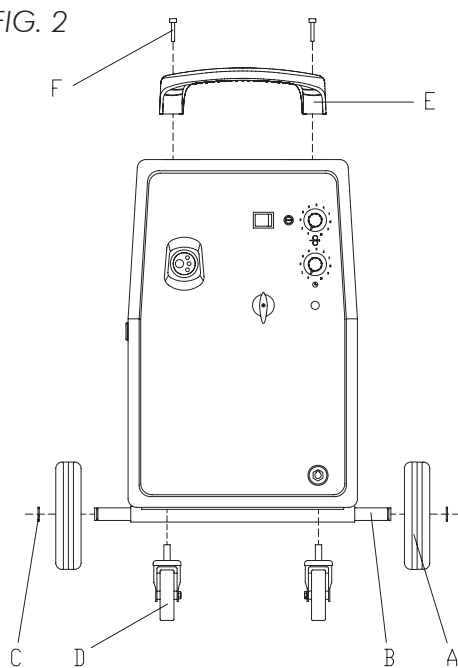
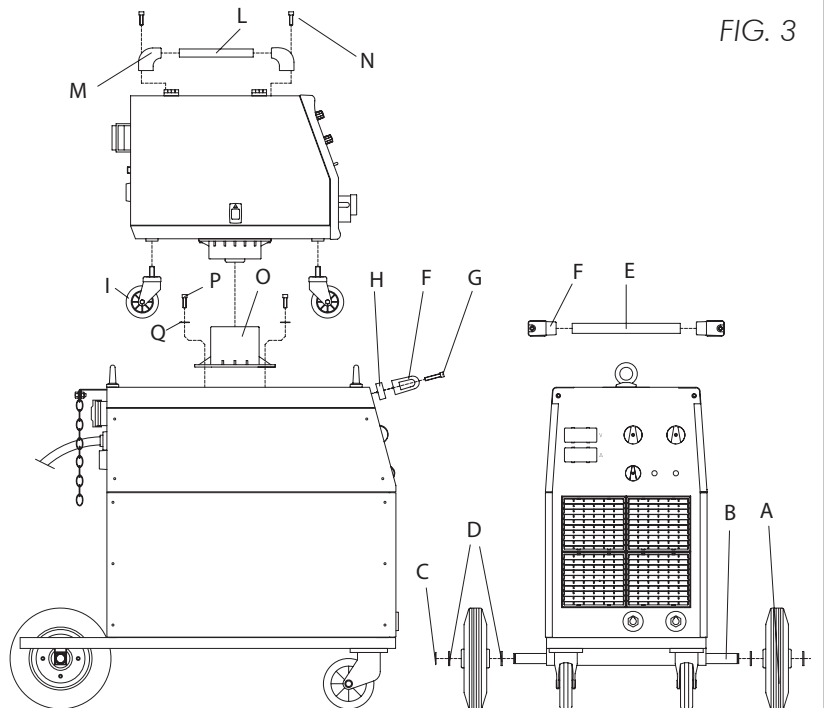


FIG. 3



- Sortir avec attention la soudeuse de son emballage.

FIG. 2

- Fixer les roues pivotantes antérieures (D).
- Introduire l'axe de support (B) dans les trous spécifiques et fixer les roues (A) avec les anneaux prévus à cet effet (C).
- Fixer la poignée (E) avec les vis fournies (F).

FIG.3

#### GENERATEUR

- Insérer l'axe (B) par les trous à l'arrière du soudeur, glisser les rondelles (D) et les roues (A) selon l'image 3 et les fixer avec les anneaux prévus à cet effet (C).
- Fixer la poignée (E) dans les supports (F) et les fixer avec les épaisseurs (H) au panneau frontal au moyen des vis fournies (G);

#### DEVIDOIR

- Monter la poignée (L) dans les supports (M) et les fixer au moyen des vis fournies (N);
- Fixez les quatre roulettes pivotantes (I) à la base de l'entraînement du fil;
- Monter la base du dévidoir (O) dans le couvercle du générateur utilisant les rondelles (Q) et les vis (P) fournis et positionner le dévidoir sur le générateur.
- Positionner la bouteille de gaz dans la base porte-bouteille et la enchaîner au support; la bouteille doit être équipée d'une réducteur de pression. Pour la connexion entre le générateur et le dévidoir utiliser le câble d'interconnexion fourni.

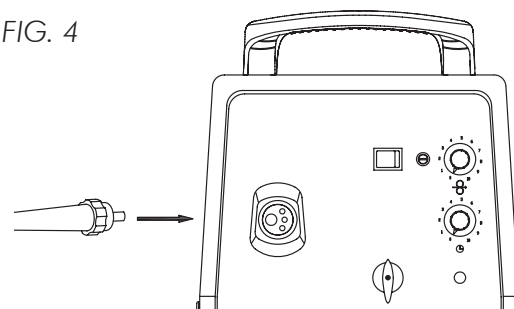
## -FRANÇAIS-

- Positionner la soudeuse dans un lieu bien aéré.

### 4.2 INSTRUCTIONS POUR LE RACCORDEMENT DE LA TORCHE A RACCORD EURO (FIG.4)

- Brancher le bloc en laiton de la cosse de la torche sur la prise Euro du le panneau frontal de la machine en veillant à ne pas endommager les contacts, ensuite visser la bague de blocage de la torche.

FIG. 4



### 4.3 INSTRUCTIONS POUR LE RACCORDEMENT DE LA TORCHE A RACCORD DIRECT (FIG.5)

- Avant de raccorder la torche (7) mesurer la longueur du dépassement de la gaine guide-fil (9) à partir de l'écrou en laiton (10). Il ne doit pas dépasser 20 mm, dans le cas contraire, couper la gaine en s'assurant qu'il n'y a pas de bavures risquant d'empêcher l'alimentation du fil.
- Après avoir contrôlé le dépassement de la gaine et l'avoir éventuellement coupée, enlever l'écrou (1) et la rondelle (2) de l'extrémité de la torche (7). Introduire la torche dans le trou placé sur le panneau frontal de la machine, en veillant à brancher simultanément le connecteur (14). Continuer à introduire la torche à travers le collier en laiton (5) dans le support (4).
- Le terminal en anneau (3) doit être introduit à l'extrémité du tuyau, suivi de la rondelle (2). Ensuite visser l'écrou (1) en le serrant avec attention.
- Monter la protection en plastique (15) sur le support (4) en utilisant les deux vis auto-taraudeuses fournies.
- Raccorder le tuyau du gaz (12) au raccord du tuyau du gaz (6) en utilisant les colliers fournis (13).
- Déterminer le contact en unissant les deux connecteurs (11-14)

**Attention:** le montage est correct quand la gaine est à 2-3mm de la zone de contact entre le galet inférieur et supérieur.

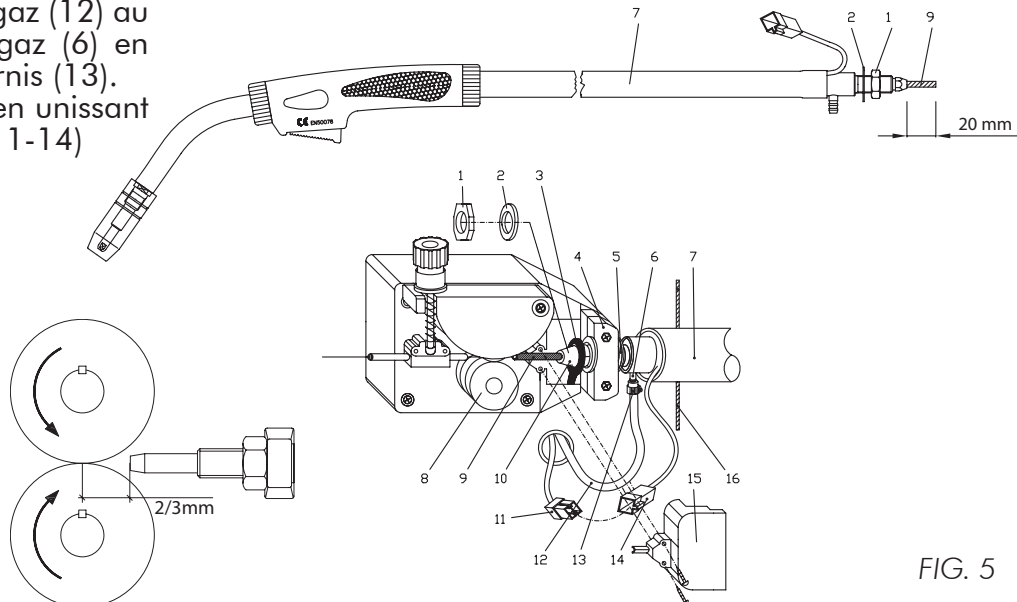


FIG. 5

# 5.0 UNITÉ DE REFROIDISSEMENT ET CABLE DE INTERCONNEXION

FIG. 6

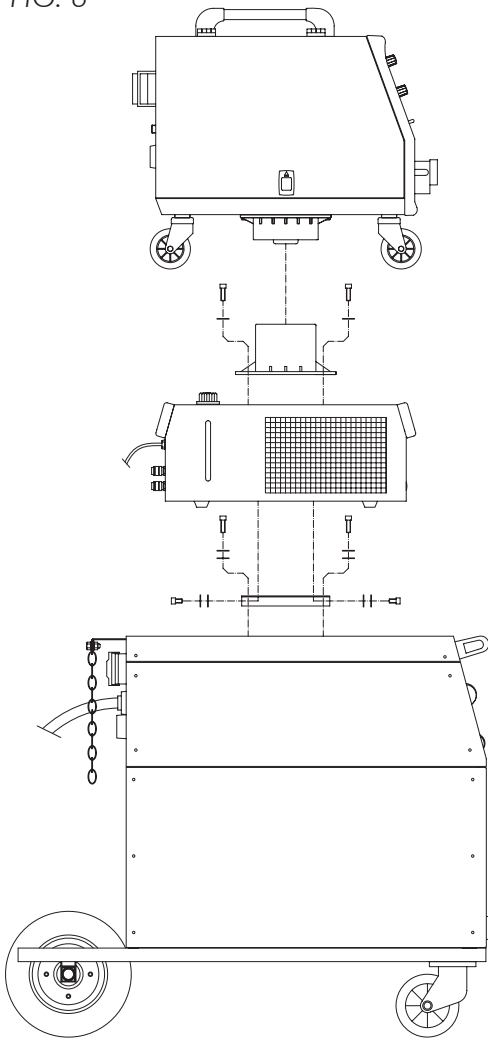
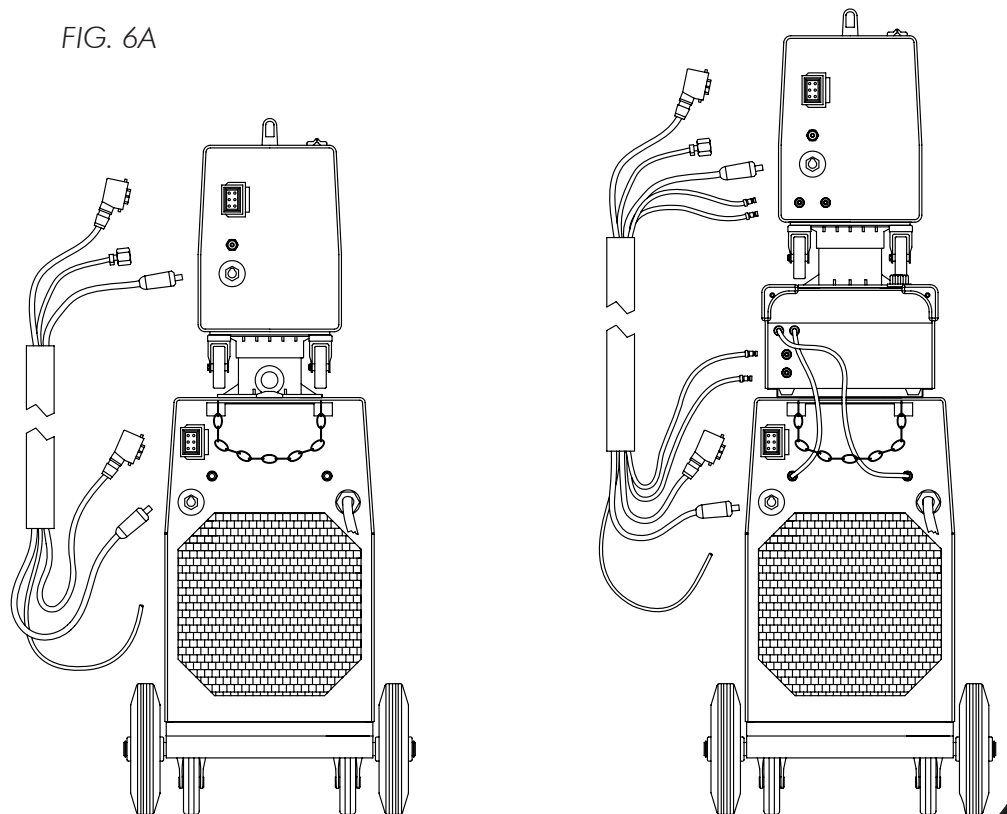


FIG. 6A



## **6.0 RACCORDEMENT DE LA BOUTEILLE DU GAZ ET DU REDUCTEUR**

**! ATTENTION: les bouteilles sont sous pression. Les manipuler avec prudence. Une manipulation ou un usage impropre des bouteilles contenant des gaz comprimés peut provoquer des accidents graves. Ne pas les laisser tomber, les renverser ni les exposer à une chaleur excessive, à des flammes ou à des étincelles. Ne pas les cogner contre d'autres bouteilles.**

La bouteille du gaz (non fournie) doit être placée à l'arrière de la machine et fixée au moyen de la chaîne fournie.

Pour des raisons de sécurité et d'économie, s'assurer que le réducteur de pression est bien fermé quand on ne soude pas ainsi que durant les opérations de raccordement et de déconnexion de la bouteille.

- Raccorder le tuyau du gaz au réducteur de pression en le fixant avec le collier fourni.
- Visser le réducteur sur la valve de la bouteille et serrer à fond.
- Connecter le tuyau de gaz au réducteur de pression en le fixant avec la bague fournie.
- Ouvrir la valve de la bouteille et régler le débit du gaz approximativement à 8 l/mn.
- Appuyer sur le bouton de la torche pour s'assurer que le gaz ne fuit pas.

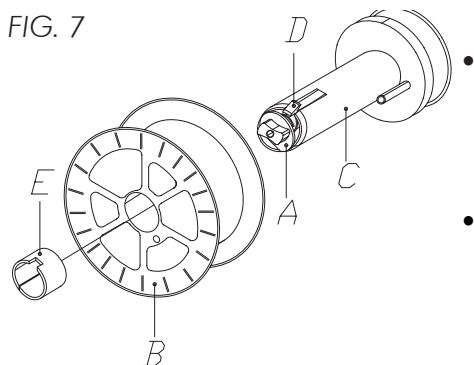
<b>MATERIAL A SOUDER</b>	<b>BOUTEILLE</b>	<b>FIL</b>
Acier doux	Bouteille Argon+CO <sub>2</sub> ou a CO <sub>2</sub>	Bobine de fil acier au cuivre, fourré pour sans gaz
Acier inoxydable	Bouteille Argon	Bobine de fil acier inoxydable
Aluminium	Bouteille Argon	Bobine de fil aluminium

## **7.0 CHARGEMENT DU FIL**

Votre soudeuse a été conçue pour pouvoir utiliser des bobines de 5 et de 15 kg. Les bobines ne sont pas fournies avec la machine, il faut donc se les procurer séparément.

**! S'assurer que la machine est débranchée. Enlever la buse et la pointe guide-fil avant de commencer les opérations suivantes.**

FIG. 7



ARBRE REF. FIG. 7 - 7A

Ouvrir le panneau latéral du logement de la bobine. Dévisser l'écrou (A) de l'arbre en le tournant de 180° (position 1) (tambour du frein). Enlever le collier (E); durant le changement de bobine, extraire le rochet vide en appuyant sur le téton à déclic (D).(Fig.7)

• Enlever l'enveloppe de la bobine et la placer sur l'arbre. Remonter les colliers (E/F, seulement pour les bobines de 5Kg, le collier plus petit E doit être monter entre la bobine et le paroi du arbre) et enfin revisser l'écrou (A) le tournant 180° (position 2).

**La soudeuse peut également accepter des bobines de 100mm de diamètre.**

**Pour le montage, suivre les instructions ci-après:**

- Enlever de l'arbre (C) la bobine montée (B).
- Dévisser le volant (A), extraire le ressort et la rondelle interne; enlever l'arbre (C) de l'axe.
- Glisser sur l'axe la bobine de 0,8 kg; introduire la rondelle, l'entretoise (G) et le ressort.
- Revisser le volant (A).

**! Le volant (A) constitue le système de freinage de la bobine. Une pression excessive soumet le moteur d'alimentation à des contraintes. Une pression insuffisante ne bloque pas immédiatement la bobine quand on cesse de souder.**

ARBRE REF. FIG. 8

- Ouvrir le logement de la bobine et dévisser l'écrou de fixation de la bobine dans l'arbre.
- Enlever la protection en plastique de la bobine, la positionner dans l'arbre et la fixer en vissant l'écrou de fixation.

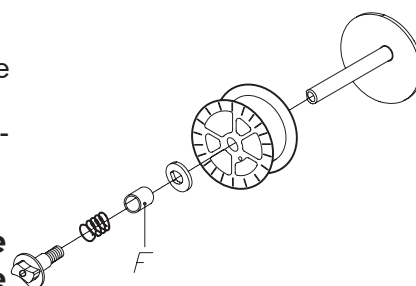


FIG. 7A

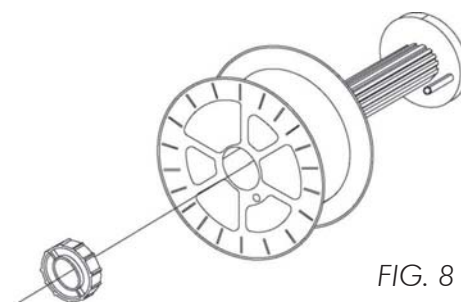


FIG. 8



**Une pression excessive soumet le moteur d'alimentation à des contraintes. Une pression insuffisante ne bloque pas immédiatement la bobine quand on cesse de souder.**

- Desserrer et abaisser le bouton en plastique (A) et relâcher le levier presse-fil (B) (Fig.9). Extraire les résidus de fil éventuels de la gaine guide-fil (E).
- Relâcher le fil de la bobine et le tenir serré avec une paire de pinces de façon à ce qu'il ne puisse pas se dérouler. Si nécessaire, le redresser avant de l'introduire dans le guide d'entrée (C) du fil. Y introduire le fil en le faisant passer au-dessus du galet inférieur (D) et dans la gaine guide-fil (E).



**ATTENTION: Tenir la torche droite. Quand on introduit un fil neuf dans la gaine, s'assurer que la coupure est nette (sans bavures) et qu'au moins 2 cm à l'extrémité sont droits (sans courbures) dans le cas contraire la gaine pourrait subir des dégâts.**

- Abaisser le levier presse-fil (B) et soulever le bouton en plastique (A). Serrer légèrement. Un serrage excessif bloque le fil et pourrait endommager le moteur. Un serrage insuffisant ne permettrait pas aux galets d'entraîner le fil.



**ATTENTION: Quand on remplace le fil ou le galet d'entraînement du fil, s'assurer que la gorge correspondant au diamètre du fil se trouve à l'intérieur vu que le fil est entraîné par la gorge interne. Sur les côtés des galets sont reportés les diamètres correspondants.**

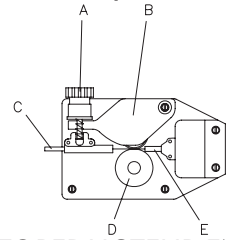
- Fermer le panneau latéral de la machine. La brancher et la mettre en marche. Appuyer sur le bouton de la torche: le fil alimenté par le moteur d'entraînement du fil doit coulisser à travers la gaine. Quand il sort de la lance, relâcher le bouton de la torche. Arrêter la machine. Remonter la pointe et la buse.



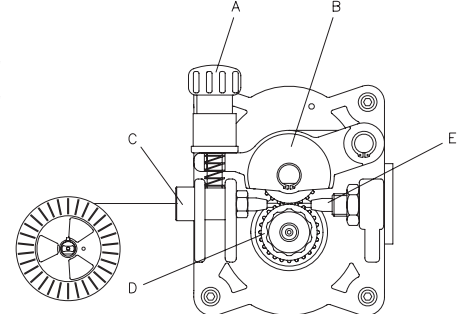
**Quand on vérifie la sortie correcte du fil "ne jamais**

**approcher la torche du visage", on court le risque d'être blessé par le fil en sortie. Ne pas approcher les doigts du mécanisme d'alimentation du fil en marche! Les galets peuvent écraser les doigts. Contrôler périodiquement les galets et les remplacer quand ils sont usés et quand ils compromettent l'alimentation du fil.**

MOTOREDUCTEUR EN PLASTIQUE



MOTOREDUCTEUR EN PLASTIQUE/ALUMINIUM



MOTOREDUCTEUR EN ALUMINIUM

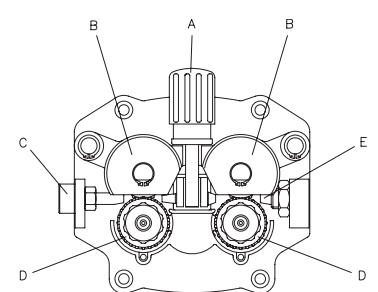


FIG. 9

## 8.0 REMPLACEMENT DE LA GAINÉ GUIDE-FIL



**S'assurer que la machine est débranchée avant d'effectuer ces opérations.**

La procédure à suivre pour le remplacement de la gaine guide-fil varie en fonction du type de raccord de la torche dont votre machine est dotée.

- Ouvrir le panneau latéral. Desserrer et abaisser le bouton en plastique (A) et relâcher le levier presse-fil (B) (Fig.9). Couper le fil (s'il a déjà été chargé) en le tenant toujours serré avec des pinces de façon à ce qu'il ne se déroule pas et le lier sur le trou spécifique du rochet. Dévisser la buse, enlever la pointe de la torche et avec une paire de pinces extraire le fil de la gaine.

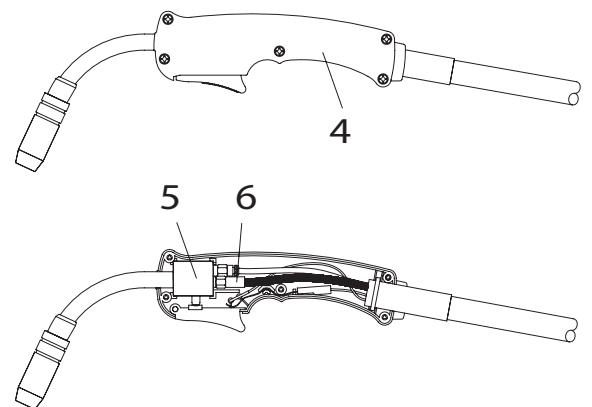
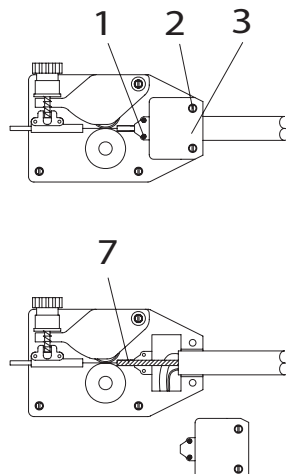


FIG. 10

**Si la torche est déjà raccordée (Fig.10):**

- Enlever les vis (1-2) qui fixent le groupe de soutien (3) de la torche. Positionner la torche sur une surface droite et enlever doucement le couvercle de la poignée en dévissant les vis de fixation sur

## -FRANÇAIS-

cette dernière (4). Bien observer la position des composants à l'intérieur de la torche. Soulever le bloc (5) et extraire la gaine guide-fil (6) du raccord (7) en faisant pression sur le bord de ce dernier.

- Redresser le câble de la torche et extraire entièrement la gaine du tuyau.
- Introduire la nouvelle gaine dans le tuyau de la torche et dans le raccord (7) sur le bloc (5) en s'assurant qu'elle est bien fixée.
- Assembler de nouveau la torche en veillant à ce que tous les composants sont restés à leur place et sans forcer l'encastrement des deux moitiés de la poignée. S'assurer que les vis sont alignées avant de les serrer.
- Remonter le groupe de soutien (3) du tuyau de la torche en fixant les vis
- Mesurer le dépassement de la gaine et avec un outil bien aiguisé la couper de façon à ce que pas plus de 2 mm (5) ne la séparent du galet d'entraînement du fil. La coupure de la gaine doit être nette de façon à ce qu'il n'y ait pas d'angles ni de bavures empêchant le coulissement du fil.
- Recharger le fil et fermer le panneau latéral.

### **En cas de raccord direct (Fig.11) :**

- Enlever les vis (1) qui fixent le couvercle en plastique (2).
- Dévisser l'écrou en laiton (3) de l'extrémité du tuyau de la torche, enlever la buse et la pointe.
- Extraire la gaine guide-fil (4).
- Introduire la nouvelle gaine à travers le tuyau jusqu'à ce que l'extrémité de la gaine atteigne la lance et s'arrête.
- Remonter l'écrou en laiton(3) et fixer le couvercle en plastique (2).
- Mesurer le dépassement de la gaine et avec un outil bien aiguisé la couper de façon à ce que pas plus de 2 mm (5) ne la séparent du galet d'entraînement du fil. La coupure de la gaine doit être nette de façon à ce qu'il n'y ait pas d'angles ni de bavures empêchant le coulissement du fil.
- Recharger le fil et remonter la pointe et la buse. Fermer le panneau latéral.

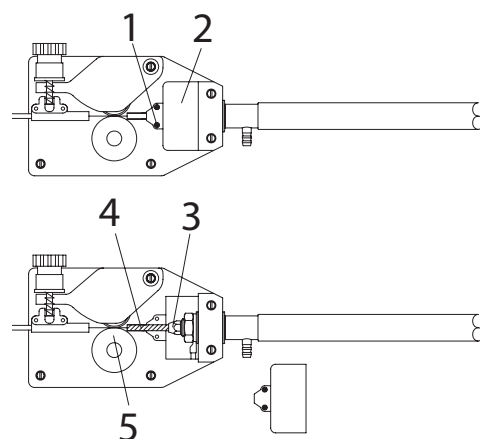


FIG. 11

- En cas de raccord Euro (Fig.12) :
- Désassembler la torche de la machine.
- La positionner sur une surface plane et enlever doucement l'écrou en laiton (1).
- Extraire la gaine (2).
- Introduire la nouvelle gaine et remonter l'écrou en laiton (1).
- En cas de nécessité de monter une gaine en téflon suivre les instructions suivantes :
- Insérer le gaine, enfiler el (3) dans la tête fermegaine (4).
- Insérer la tête dans la gaine et remonter l'écrou en laiton.
- Remplacer l'épingle de la connexion Euro avec ce réduit pour aluminium.

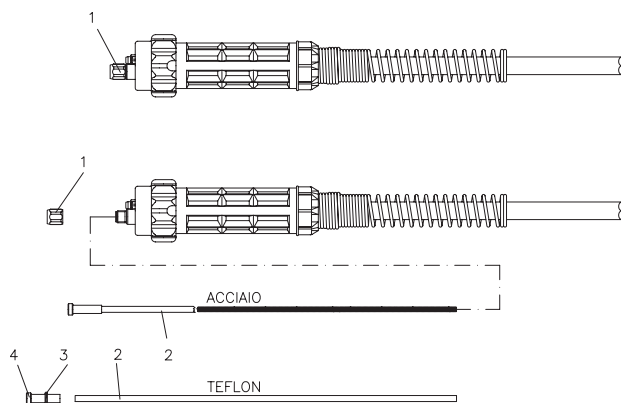


FIG. 12

**Attention: la nouvelle gaine doit avoir la même longueur que celle qu'on vient de retirer.**

- Raccorder la torche à la machine et remettre le fil en place.

9.0 DISPOSITIFS DE LA MACHINE

FIG. 13

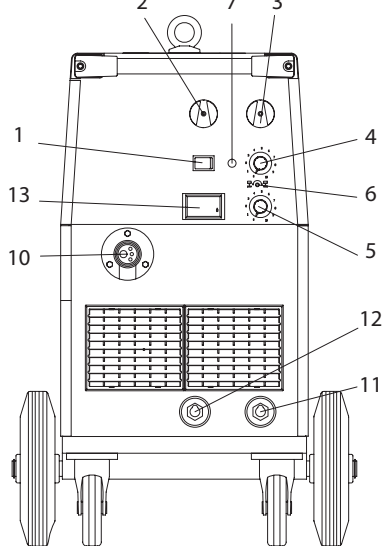


FIG. 14

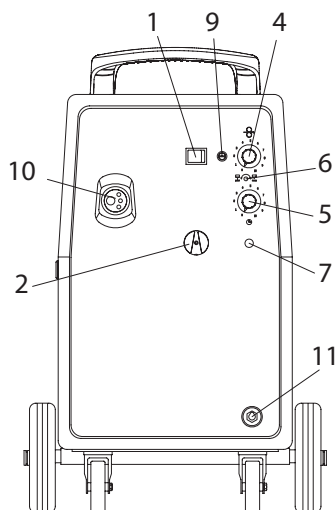


FIG. 15

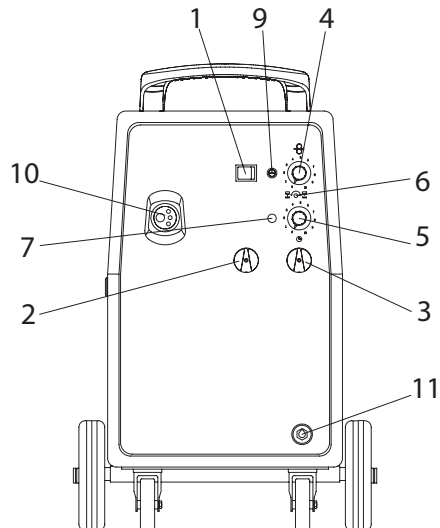


FIG. 16

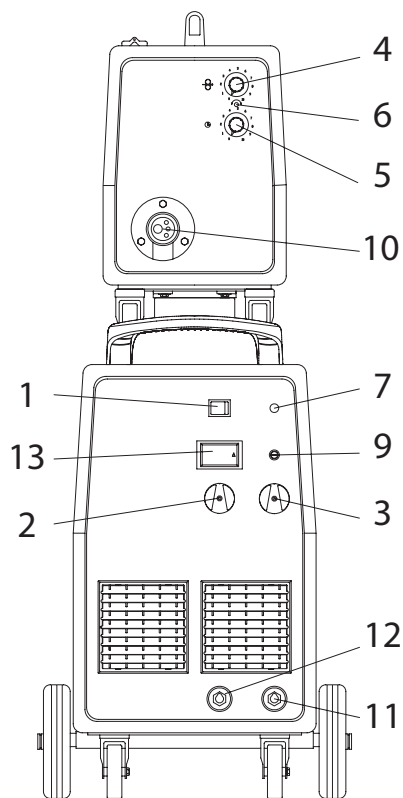


FIG. 17

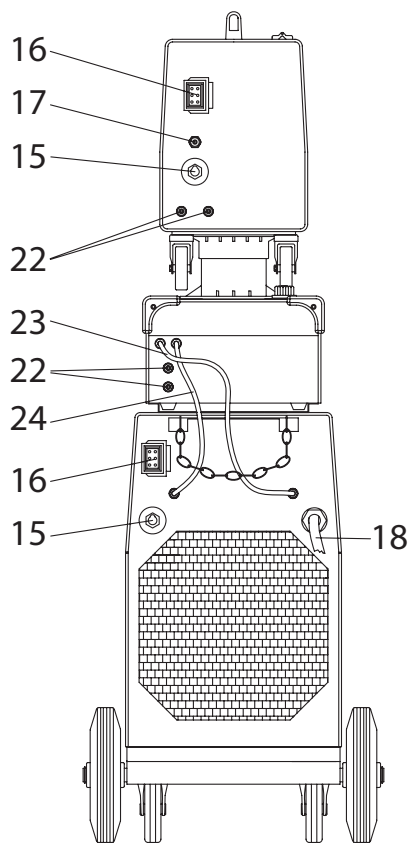
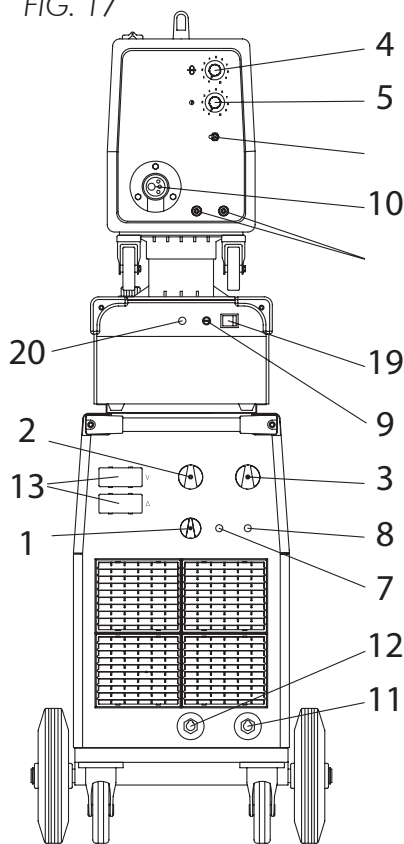


FIG. 18

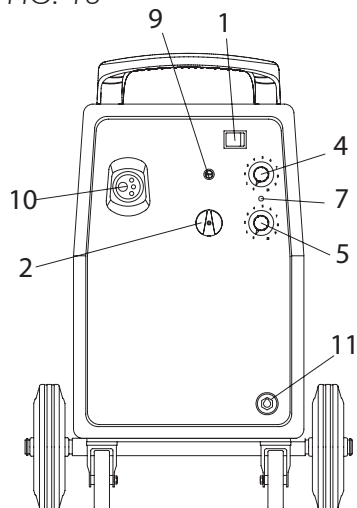
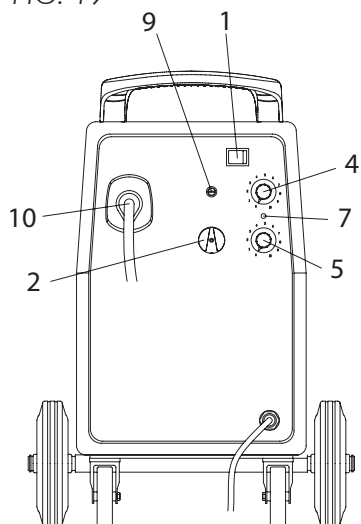


FIG. 19



**1- Interrupteur ON/OFF**

Interrupteur principal de mise en marche de la machine. Dans des modèles cet interrupteur de couleur verte s'allume à la mise en marche de la machine.

**2-  -Contacteur / Répartiteur de réglage de la tension de soudure**

6-7-8 posizioni ( regolazione fine della tensione di saldatura nei modelli dotati di due commutatori)

**3-  -Commutatore regolazione tensione di saldatura**

2-3-4-6 posizioni (regolazione grossa della tensione di saldatura)

**4 - Potentiomètre de contrôle de la vitesse d'alimentation du fil.**

Pour augmenter la vitesse, tourner le bouton en sens horaire, pour la diminuer le tourner en sens inverse horaire.

**5- Temporisateur de la soudure par points**

Consente l'esecuzione di punti o cordoni di saldatura la cui durata è impostata dal timer.

La saldatura si bloccherà automaticamente al termine dello scadere del tempo impostato.

Per attivare il timer ruotate la manopola in senso orario, per disattivarlo ruotate la manopola in senso antiorario fino a che non sentite lo scatto dell'interruttore.

**6 – B.B.T. (Temps de brûlure du fil)**

Au moment du relâchement du bouton de la torche, la machine fonctionnera pendant un court moment.

Cette fonction permet d'éviter la brûlure du fil et par conséquent le collage sur le tuyau. En tournant avec un tournevis en sens horaire/inverse horaire, le potentiomètre B.B.T. allongera ou raccourcira le fil en sortie de la torche en fin de la soudure et disponible pour la redémarrage de la soudure.

In alcuni modelli con trainafilo separato la regolazione del B.B.T. si trova nel vano aspo del trainafilo sopra il motoriduttore.

**7 - Voyant d'indication de surchauffe (orange).** Il s'allume quand le thermostat de surchauffe intervient en désactivant la machine. Seul le ventilateur continuera à opérer pour refroidir la machine. Le voyant s'éteindra de nouveau automatiquement quand la machine sera suffisamment refroidie.

**8- Voyant de alimentation**

Il s'allume quand le generateur est encendi.

**9- Fusibles de protection des circuits auxiliaires**

En quelques modèles avec dévidoir interne les fusibles se trouvent dans le logement de la bobine au-dessus du motoréducteur. En quelques modèles avec dévidoir séparé les fusibles sont dans le générateur.

**10- Connexion EURO / Connexion directe**

**11- Prise négative () peu d'impédance**

Terminal au quel on va connecter le câble de masse, en général il est conseillable utiliser valeurs bas de impédance quand on utilise fils fins.

**12- Prise négative () beaucoup d'impédance**

Terminal au quel on va connecter le câble de masse, en général il est conseillable utiliser valeurs bas de impédance quand on utilise fils épais.

**13- Instrument digital**

Quelques modèles sont dotés seulement de l'ampèremètre, autres aussi du voltmètre. Dans quelques modèles a la fin de la soudure, dans le visualisation on pourra lire pour quelques instantes le courant real de soudage.

**14- Sélecteur manuel/automatique**

Manuel = soudage en 2 temps 

Le procès de soudage commence quand on appuy sur la gâchette de la torche et termine quand on le relâche.

automatique = soudage en 4 temps 

Le procès de soudage commence quand on appuy sur la gâchette de la torche (après un temps de pre-gaz) et continue aussi si on relâche la gâchette. Pour terminer le soudage il faut appuyer sur la gâchette et le relâcher de nouveau (après un temps de post-gaz).

**15- Prise positive**

Terminales pour la connexion des connecteurs volants du câble de puissance du câble d'interconnexion.

## -FRANÇAIS-

### 16- Connecteur 6 pôles

Terminales pour la connexion des connecteurs 6 pôles du câble d'interconnexion.

### 17- Raccordement gaz

Raccordement pour la connexion du tuyau gaz du câble d'interconnexion

### 18- Câble d'alimentation du générateur

### 19- Interrupteur Marche/Arrêt

Interrupteur principal de mise en marche de l'unité de refroidissement. Cet interrupteur vert s'allume quand on met l'unité en marche.

### 20- Voyant manque de liquide réfrigérant

Il s'allume quand il n'y a pas liquide réfrigérant suffisant.

### 21 - Raccordements rapides

On va connecter à ces raccordements dans le panneau frontal du dévidoir les tuyaux de refroidissement de la torche.

### 22- Raccordements rapides

On va connecter à ces raccordements dans le panneau arrière du dévidoir et de l'unité de refroidissement les tuyaux du câble d'interconnexion.

### 23- Câble d'alimentation de l'unité de refroidissement

### 24 - Câble de connexion du dispositif de sécurité (pressostat) de l'unité de refroidissement.

## 10.0

## SOUDEURE PAR POINTS

**Attention : uniquement pour les modèles dotés d'un temporisateur pour la soudure par points**

Il est possible de souder par points deux feuilles d'acier à faible taux de carbone jusqu'à 0,8 mm d'épaisseur en remplaçant la buse de la torche par une buse pour soudure par points (non fournie). Sélectionner la fonction de soudure par points en réglant le temporisateur pour la soudure par points (4). Mettre une feuille sur une autre et positionner la buse sur la feuille supérieure; actionner la torche en appuyant sur le bouton pour souder par points. La machine se bloquera automatiquement lorsque le temps programmé sera écoulé. Pour la soudure par points le courant de soudure et la vitesse d'alimentation du fil doivent être réglés au maximum. On recommande d'utiliser un fil d'un diamètre de 0,8 mm.

## 11.0

## SOUDEURE DE L'ALUMINIUM

Pour la soudure de l'aluminium la soudeuse doit être prédisposée comme pour la soudure de l'acier à faible taux de carbone; il faut cependant appliquer des variantes:

- Utiliser comme gaz protecteur l'ARGON 100%.
- Adapter la torche à la soudure de l'aluminium.
- 1. S'assurer que la longueur du câble ne dépasse pas 3 m, on déconseille les longueurs supérieures.
- 2. Monter la gaine en téflon pour l'aluminium (suivre les instructions pour le remplacement de la gaine au paragraphe "Remplacement de la gaine guide-fil").
- 3. Utiliser des galets adéquats pour l'aluminium.
- Utiliser des pointes adéquates pour l'aluminium dont le trou correspond au diamètre du fil à utiliser pour la soudure.

## 12.0

## PRÉPARATION AU SOUDAGE

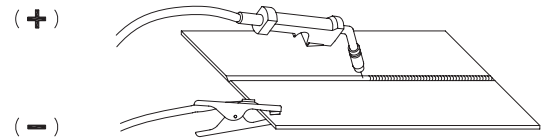
**IMPORTANT: s'assurer que la polarité est correctement prédisposée.**

**Pour le soudage SOUS GAZ, le câble de masse doit être branché à la prise négative (-), tandis que la torche doit être branchée à la prise positive. Pour le soudage SANS GAZ, la torche est raccordée au pôle négatif (-) et le câble de masse est raccordé au pôle positif (+). Dans le soudage sous gaz, pour protéger le bain de soudage de l'oxydation et des impuretés, on l'entoure avec un gaz protecteur; dans le soudage SANS GAZ cette protection est réalisée par un fil spécial, appelé "fourré", qui produit un écran.**

## -FRANÇAIS-

- Raccorder la fiche du câble de masse à la prise négative du générateur placée sur la partie droite en bas du panneau frontal (sur certains modèles, le câble de masse est déjà connecté). Raccorder la pince de la masse à la pièce à souder en veillant à établir un bon contact.
- S'assurer que la gorge interne du galet correspond au diamètre du fil qu'on s'apprête à utiliser.
- Brancher la machine sur une prise adéquate.
- Ouvrir la valve du gaz sur la bouteille en tournant le robinet en sens inverse des aiguilles d'une montre. Régler la quantité de gaz en sortie de la torche en utilisant le bouton du réducteur de pression (en tournant en sens horaire on diminue le débit, en tournant en sens inverse horaire on l'augmente). Remarque: la quantité de gaz nécessaire pour une bonne protection varie suivant les différents métaux, les épaisseurs et le courant.

GAS



NO GAS

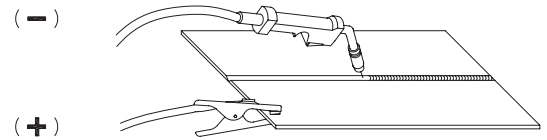


FIG. 20

### 13.0

### REGLAGES

Le réglage d'une soudeuse Mig-Mag exige du savoir-faire. Contrairement à la soudure à électrode, il faut en effet régler deux paramètres pour atteindre la qualité souhaitée de la soudure. Ces deux paramètres sont: la vitesse d'alimentation du fil et la tension de soudure. Le courant de soudure est la conséquence de la sélection de ces deux paramètres.

- Régler la tension et la vitesse d'alimentation du fil de façon appropriée.
- Le courant de soudure varie directement en fonction de la vitesse du fil. Pour les faibles courants de soudure, le potentiomètre doit être positionné au niveau des valeurs les plus basses de l'échelle de réglage de la vitesse d'alimentation du fil.
- Tourner le bouton de la vitesse du fil en sens horaire pour augmenter la vitesse d'alimentation ainsi que le courant de soudure. La tension de soudure doit être réglée de façon à correspondre à la vitesse du fil (courant de soudure).
- Sélectionner progressivement les positions d'une tension supérieure pendant qu'on augmente la vitesse du fil.

Une augmentation de la tension de soudure, en maintenant la vitesse du fil inchangée, provoque un arc plus long (sans modifier le courant de façon importante).

En revanche, pour une baisse de la tension de soudure, en maintenant la vitesse du fil inchangée, on produit un arc plus court.

Les paramètres de soudure doivent être sélectionnés en fonction du diamètre du fil. Si le fil a un petit diamètre, augmenter la vitesse d'alimentation du fil pour atteindre le même courant. Cependant, faire attention, car si on dépasse certaines limites, il sera impossible d'obtenir une soudure satisfaisante:

- Une vitesse excessive (par rapport à la tension de soudure) provoque des talonnages du fil à l'intérieur de la torche; le fil est plongé dans le bain de soudure et ne peut pas être fusionné suffisamment vite. On aura des éclaboussures inacceptables.
- Si la tension de soudure sélectionnée est excessive (par rapport à la vitesse d'alimentation du fil) l'arc s'allongera excessivement et deviendra instable. En augmentant davantage la tension on obtiendra la brûlure de la pointe guide-fil.
- Dans tous les cas, une vitesse excessive du fil peut être corrigée avec l'augmentation de la tension de l'arc. Les limites de cette opération dépendent de l'épaisseur du matériau à souder (au-delà d'une certaine valeur, on aura une perforation).
- Positionner la torche sur la jonction à souder avec la buse à environ 45° par rapport à la surface. La distance de la buse devrait être d'environ 5-10 mm. Abaisser le masque de protection et appuyer sur le bouton de la torche pour amorcer l'arc. Quand l'arc est amorcé, se déplacer de façon à régler de gauche à droite le long de la jointure (en tirant le bain). Régler la vitesse d'alimentation du fil de façon à ce que la soudure produise un crépitement régulier.
- Avec le temps, on développera une certaine sensibilité au bruit produit par l'arc pour régler de façon toujours plus précise les paramètres de soudure.

## 14.0 GUIDE POUR LA LECTURE DS DONNEES TECHNIQUES

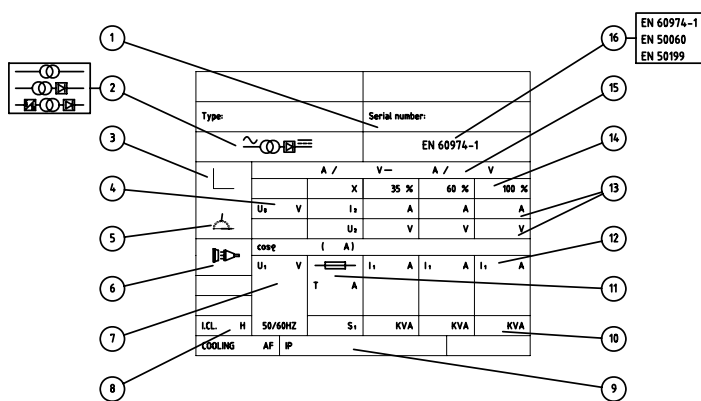


FIG. 21

1. Numéro de série de la machine
2. Type de générateur
3. Type de caractéristique
4. Tension à vide (min/max)
5. Type de soudure
6. Symbole du réseau et numéro des phases
7. Tension d'alimentation
8. Classe d'isolation
9. Degré de protection
10. Puissance
11. Valeur du fusible de ligne
12. Courant d'alimentation
13. Courant et tension de soudure
14. Facteur de service
15. Champ de réglage (courant/ tension)
16. Normes de référence

## 15.0 GUIDE POUR LES GAZ PROTECTEURS

### METAL

### GAS

### REMARQUES

Acier à faible taux de carbone

CO2  
Argon + CO2  
Argon + CO2 + Oxygène

Argon limite les éclaboussures.  
L'oxygène augmente la stabilité de l'arc.

Aluminium

Argon (épaisseurs < 25 mm)  
Argon + Hélium (épaisseurs > 25 mm)

Stabilité de l'arc, bonne fusion et éclaboussures négligeables.  
Bain plus chaud pour sections épaisses.  
Moindre risque de porosité.

Acier inoxydable

Argon + CO2 + Oxygène  
Argon + Oxygène

Stabilité de l'arc  
Éclaboussures négligeables.

Cuivre, Nickel et alliages

Argon  
Argon + Hélium

Indiqué pour les épaisseurs fines en raison de la faible fluidité du bain.  
Bain plus chaud pour sections épaisses.

**Pour les pourcentages des différents gaz, les plus adaptées à votre application, consulter le service technique de votre fournisseur de gaz.**

## 16.0 SUGGESTIONS POUR LA SOUDURE ET L'ENTRETIEN

- Toujours souder toujours un matériau propre et sec.
  - Tenir la torche à 45° par rapport à la pièce à souder avec la buse à environ 6 mm de la surface.
  - Déplacer la torche de façon régulière et ferme.
  - Éviter de souder dans un endroit exposé aux courants d'air risquant d'éliminer le gaz protecteur en rendant la soudure défectueuse.
  - Maintenir le fil et la gaine propres. Ne pas utiliser un fil rouillé.
  - Éviter que le tuyau du gaz ne se plie ni ne soit écrasé.
  - Veiller à ce que la limaille de fer ou la poussière métallique ne pénètre à l'intérieur de la soudeuse car cela risquerait de provoquer des courts-circuits.
  - Si possible, nettoyer périodiquement à l'air comprimé la gaine de la torche.
- IMPORTANT: s'assurer que la machine est débranchée avant d'effectuer les interventions suivantes.**
- En utilisant de l'air à basse pression (3/5 Bar) dépoussiérer occasionnellement l'intérieur de la soudeuse, ceci favorisera son refroidissement durant le fonctionnement.
  - Attention: ne pas souffler de l'air sur la platine ni sur d'autres composants électroniques.
  - Durant l'utilisation normale de la soudeuse, le galet d'entraînement du fil s'use. Avec une pression correcte, le galet presse-fil doit entraîner le fil sans glisser.
  - Si le galet d'entraînement du fil et le galet presse-fil se touchent avec le fil introduit, le galet d'entraînement du fil doit être remplacé.
  - Contrôler périodiquement les câbles. Ils doivent être en bon état et dépourvus de fissures.

**17.0**

**DETERMINATION ET ELIMINATION  
DES PANNES ET DES PROBLEMES**

*Ce tableau pourra être utile pour résoudre les problèmes les plus courants qu'on peut rencontrer en utilisant la soudeuse. Cependant, il ne faut pas oublier que les solutions proposées ne sont pas les seules possibles.*

PROBLEME	CAUSE POSSIBLE	SOLUTION POSSIBLE
La machine ne se met pas en marche	Dysfonctionnement du câble d'alimentation ou de la prise. Dimensionnement erroné du fusible.	Contrôler que le câble d'alimentation est correctement branché. Contrôler le fusible et si nécessaire le remplacer.
La torche ne distribue pas de fil, mais le ventilateur fonctionne.	Bouton de la torche en panne. Intervention du thermostat.	Remplacer le bouton de la torche. Attendre que la machine se refroidisse. L'extinction du voyant/interrupteur sur le panneau frontal indique que la machine fonctionne de nouveau.
Le motoréducteur fonctionne, mais n'alimente pas en fil.	Motoréducteur défectueux (rare) Pression insuffisante sur le galet d'entraînement du fil. Pliages à l'extrémité du fil. Gaine obstruée ou endommagée.	Remplacer le moteur. Augmenter la pression sur le galet d'entraînement du fil. Le couper de façon nette. La contrôler et éventuellement la nettoyer à l'air comprimé ou la remplacer.
Faible pénétration de la soudure dans la pièce à souder.	Courant et vitesse d'alimentation trop faibles. Connexions internes desserrées. (rare). Pointe au diamètre erroné. Connexion de la torche desserrée ou défectueuse. Fil au diamètre non correct. Mouvement de la torche trop rapide.	Régler les paramètres de soudure de façon appropriée. Nettoyer l'intérieur de la machine à l'air comprimé et serrer toutes les connexions. Remplacer la pointe par une pointe au diamètre adéquat. Serrer ou remplacer la torche. Utiliser un fil au diamètre correct. Déplacer la torche de façon régulière sans aller trop vite.
Le fil s'enroule sur le galet d'entraînement du fil.	Pression excessive sur le galet. Gaine usée ou endommagée. Pointe guide-fil obstruée ou endommagée. Gaine guide-fil tendue ou trop longue.	Diminuer la pression sur le galet. Remplacer la gaine guide-fil. Remplacer la pointe guide-fil. Couper la gaine à la longueur correcte.
Le fil fond en se collant contre la pointe guide-fil.	Pointe obstruée. Vitesse d'alimentation du fil trop basse. Pointe aux dimensions erronées.	Changer la pointe. Augmenter la vitesse d'alimentation du fil. Utiliser une pointe aux dimensions correctes.

## -FRANÇAIS-

La pince et/ou le câble chauffent excessivement.	Mauvaise connexion entre le câble et la pince.	Serrer la connexion ou remplacer le câble.
La buse forme un arc avec la pièce à souder.	Accumulation de déchets à l'intérieur de la buse ou buse court-circuitée.	Nettoyer ou remplacer la buse.
Le fil repousse la torche de la pièce.	Vitesse excessive du fil.	Diminuer la vitesse du fil.
Soudure de mauvaise qualité.	Buse obstruée.	Nettoyer ou remplacer la buse.
	Torche trop éloignée de la pièce.	Garder la torche à une distance inférieure de la pièce.
	Gaz insuffisant	Contrôler qu'il n'y a pas de courants d'air qui éliminent le gaz; le cas échéant, se déplacer dans un endroit plus abrité. Dans le cas contraire, contrôler le mesureur du gaz, le réglage du réducteur et la valve.
	Pièce à souder rouillée, peinte, humide, encrassée d'huile ou de graisse.	S'assurer, avant de continuer, que la pièce à souder est propre et sèche.
	Fil encrassé ou rouillé.	S'assurer avant de continuer que le fil est propre et sec.
	Mauvais contact de masse.	Contrôler le raccordement de la pince de masse à la pièce.
	Combinaison de gaz / fil incorrecte.	Consulter le manuel pour un choix correct.
Cordon de soudure étroit et fusion incomplète.	Déplacement de la torche trop rapide.	Déplacer la torche plus lentement.
	Type de gaz non correct.	Voir guide des gaz protecteurs.
Cordon de soudure trop épais	Déplacement de la torche trop lent. Tension de soudure trop basse.	Déplacer la torche plus rapidement. Augmenter la tension de soudure.

