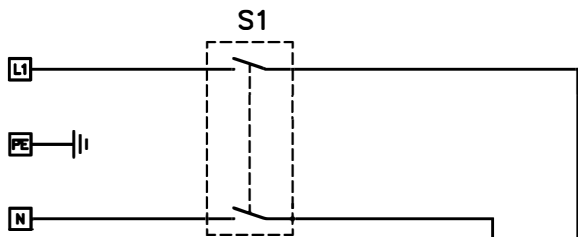
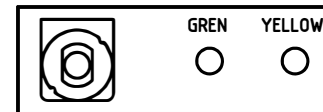


GREEN 148
E9805136

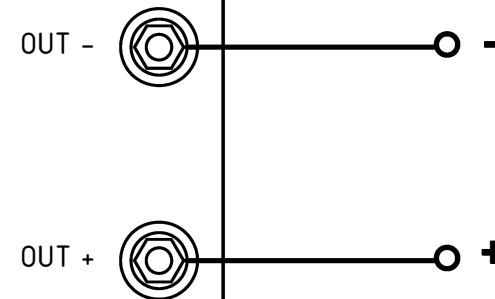
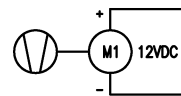
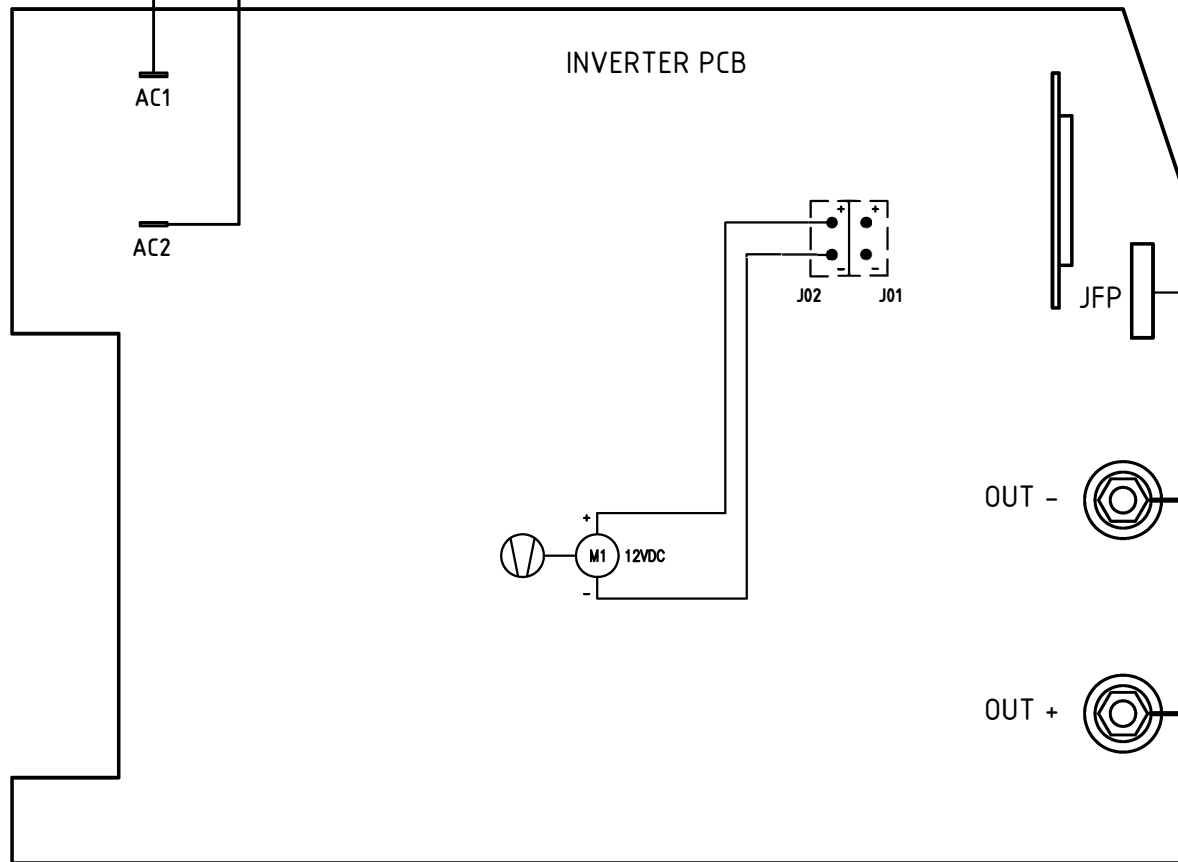
230V
50/60HZ



PCB FRONT-PANEL



INVERTER PCB



| | | | | |
|----|----------|------------|-------------|-------------|
| S1 | ON - OFF | ON - OFF | ON - OFF | ON - OFF |
| M1 | FAN | VENTILATOR | VENTILATEUR | VENTILATORE |

Denominazione

Codice

S9805079